

ZV-E10/E10L

SERVICE MANUAL

Ver. 1.0 2023.12

Conditions of Use/Revision of Information

SERVICE NOTE

ASSEMBLY

FRAME SCHEDULE
DIAGRAMS

About the service of this product

ZV-E10L is commodity that is not covered by the warranty. Refer to each following section.

Model
ZV-E10
ZV-E10L

989690961
2023L_S-1 © 2023.12

Conditions of Use/Revision of Information

Conditions of Use

- DISCLAIMER: USE AT OWN RISK. SONY AND ITS AFFILIATES ARE NOT LIABLE FOR ANY DAMAGE OR INJURY CAUSED TO ANY DIGITAL ELECTRONIC EQUIPMENT, PERSON, OR PROPERTY, WHICH OCCURS DUE TO USE OF THE TOOLS, PARTS, DOCUMENTATION, OR OTHER MATERIALS HEREIN PROVIDED, WHETHER FOR REPAIR, DIAGNOSIS, MAINTENANCE, MODIFICATION, OR OTHERWISE, INCLUDING BUT NOT LIMITED TO: ANY INDIRECT, INCIDENTAL, SPECIAL, OR CONSEQUENTIAL DAMAGES; ANY LOSS OF DATA, PRIVACY OR PROFITS; OR ANY INABILITY TO USE, OR REDUCED FUNCTIONALITY OF, THE DIGITAL ELECTRONIC EQUIPMENT. PLEASE READ ALL INSTRUCTIONS IN THIS MANUAL BEFORE PROCEEDING. PLEASE FOLLOW ALL STEPS IN THE ORDER IN WHICH THEY ARE DESCRIBED. IF YOU DO NOT HAVE ALL TOOLS AND PARTS AVAILABLE TO YOU, OR ARE NOT COMFORTABLE PERFORMING THE REPAIRS DESCRIBED HEREIN, DO NOT PROCEED. FAILURE TO FOLLOW THESE INSTRUCTIONS, OR USE THE PROPER TOOLS AND PARTS, MAY DAMAGE YOUR PRODUCT, LEAD TO PERSONAL INJURY OR CAUSE PROPERTY DAMAGE.

Note

Be sure to keep your PC used for service and checking of this unit always updated with the latest version of your anti-virus software.

Revision of Information

This information may be changed or updated at any time without any prior notice. Please confirm that this information is up-to-date before using it.

Close



S DIGITAL CAMERA

ED
SORIES

Lens.

Sony Corporation



ZV-E10/E10L

SERVICE MANUAL

Ver. 1.0 2023.12

Conditions of Use/Revision of Information



INTERCHANGEABLE LENS DIGITAL CAMERA

SERVICE NOTE	DISASSEMBLY	
ASSEMBLY	EXPLODED VIEWS	SUPPLIED ACCESSORIES
FRAME SCHEMATIC DIAGRAMS		

About the service of this model

ZV-E10L is commodity that packed the Interchangeable Lens Digital Camera and Interchangeable Lens. Refer to each following service manual the Interchangeable Lens kit, when you repair.

Model	Lens
ZV-E10	No supplied lens
ZV-E10L	SELP1650 (E PZ 16-50mm F3.5-5.6 OSS)



SERVICE NOTE

PLASTIC PARTS

Be careful to the following points for plastic parts used in this unit.

- Use a piece of cleaning paper or cleaning cloth for cleaning plastic parts. Avoid using chemicals. Even if you have to use chemicals to clean heavy dirt, do not use paint thinner, ketone, nor alcohol.
- Insert the specific screws vertically to the part when installing an plastic part. Be careful not to tighten screws too much.

SAFETY CHECK-OUT

After correcting the original service problem, perform the following safety checks before releasing the set to the customer.

1. Please follow the precautions. Areas that require special attention during service are marked with labels or stamps on cabinets, chassis, parts, etc. Please be sure to follow these precautions and instructions in the instruction manual.
2. For safety reasons, be sure to return all parts installation and wiring to their original positions.
3. Please perform a safety inspection after service. Make sure that the removed screws, parts, and wiring are in their original condition, and that there is no deterioration in the area surrounding the serviced area to ensure safety.

Caution

Danger of explosion if battery is incorrectly replaced.
Replace only with the same or equivalent type.
Dispose of used batteries according to the instructions.

SAFETY-RELATED COMPONENT WARNING!!

COMPONENTS IDENTIFIED BY MARK  OR DOTTED LINE WITH MARK  ON THE SCHEMATIC DIAGRAMS AND IN THE PARTS LIST ARE CRITICAL TO SAFE OPERATION.

REPLACE THESE COMPONENTS WITH SONY PARTS WHOSE PART NUMBERS APPEAR AS SHOWN IN THIS MANUAL OR IN SUPPLEMENTS PUBLISHED BY SONY.



DISASSEMBLY

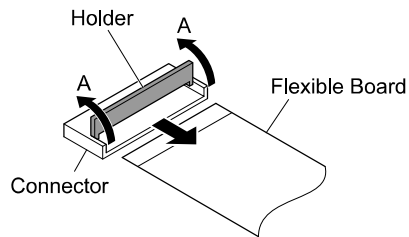
OPERATION NOTES

Make sure that the conductive side of a flexible board does not have any stain or foreign materials.

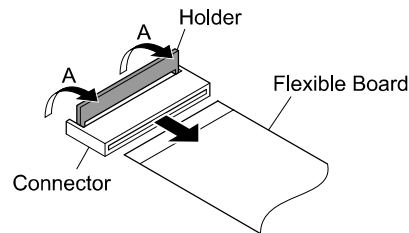
Do not touch the conductive side of flexible boards with bare hands.

When opening the connector's holder in direction A, do not open it with excessive force.

Type 1

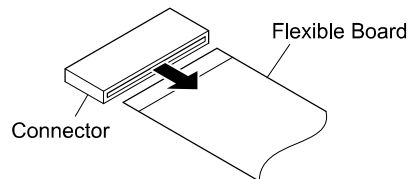


Type 2

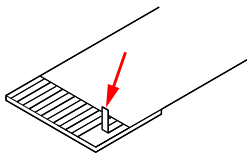


When removing the connector (without holder), pull out a flexible board straight.

Type 3



- Make sure that the flat cable and flexible board are not cracked or bent at the contact end.
- If the terminal is cracked or came off, replace it.

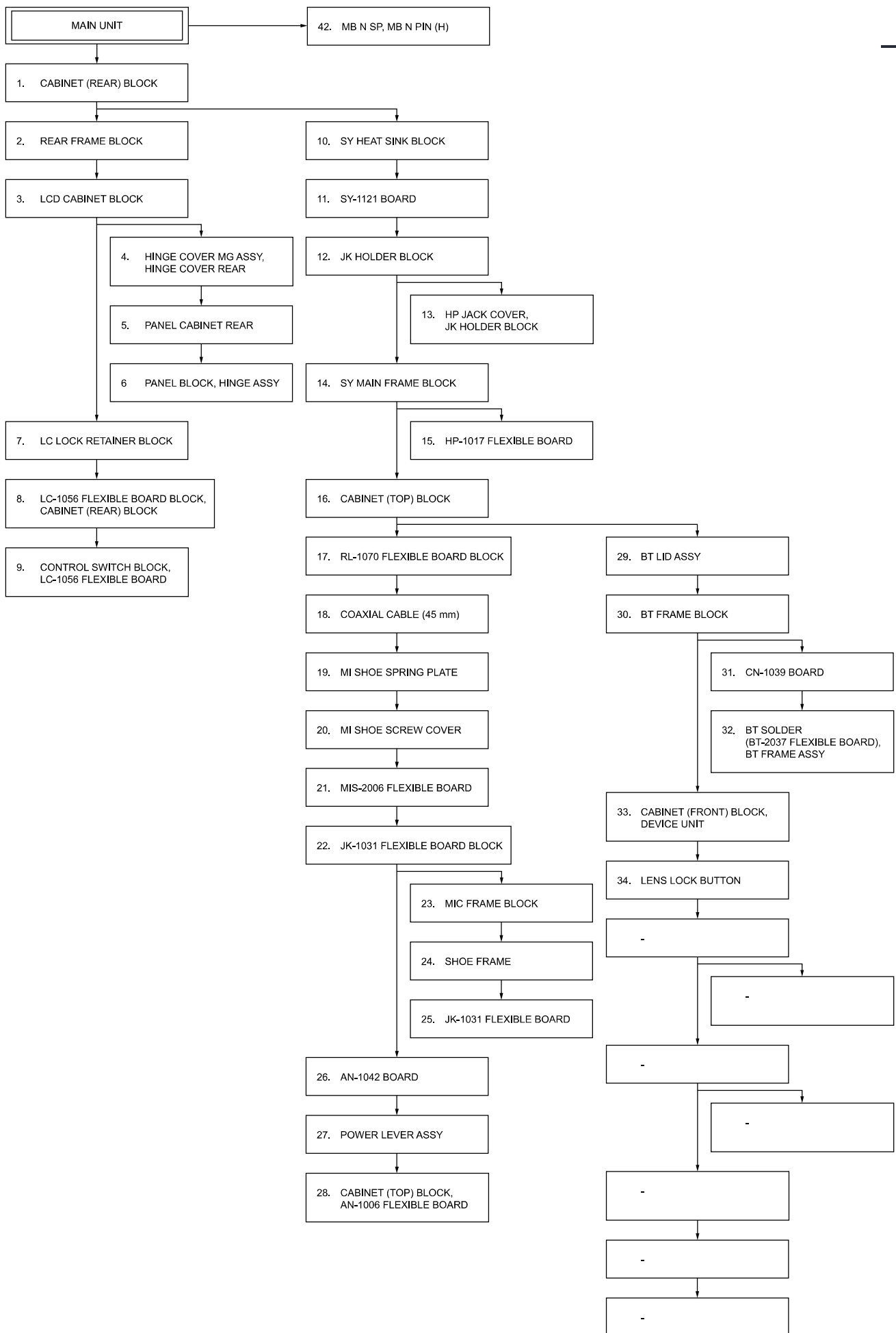


- Do not apply excessive force to the gilded flexible board.
- The proper way to disconnect a connector is to grab the connector instead of the wires. If you pull on the wires, they might be broken.

DISASSEMBLY FLOW

This set can be disassembled in the order shown below.

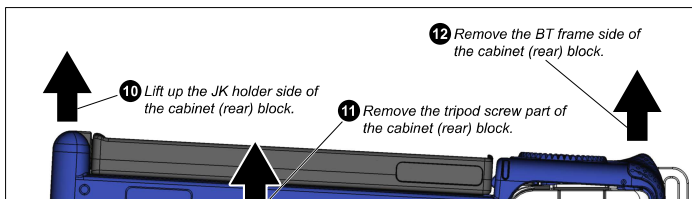
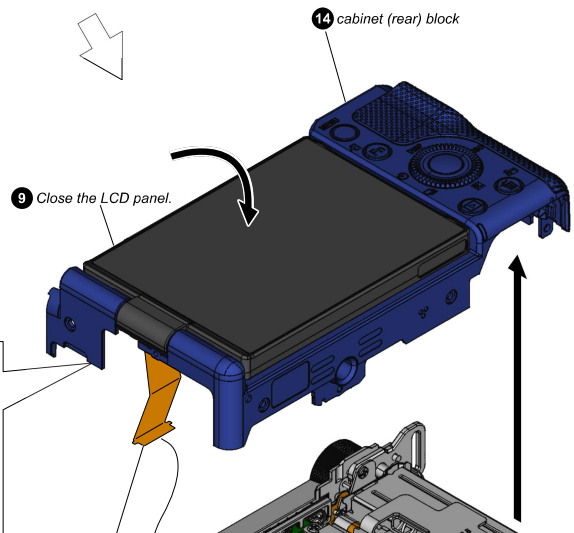
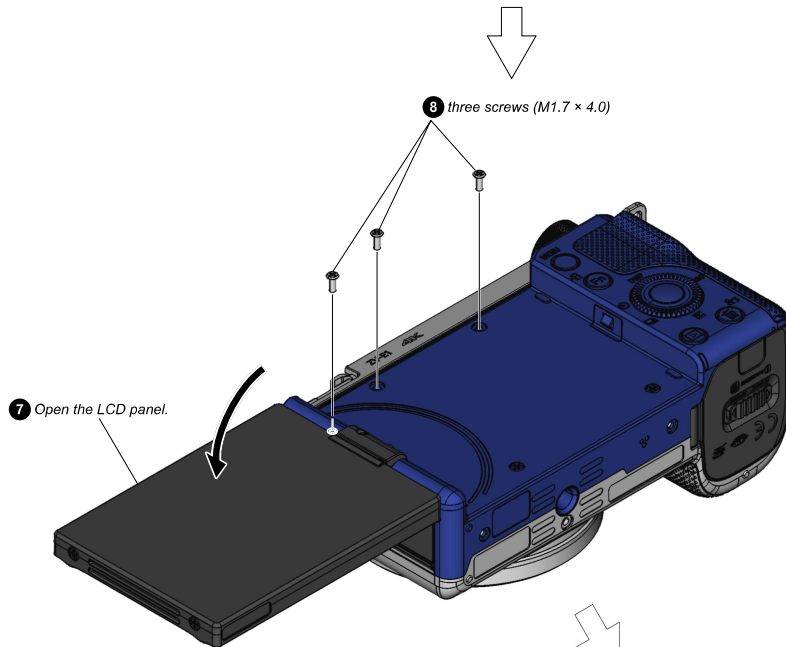
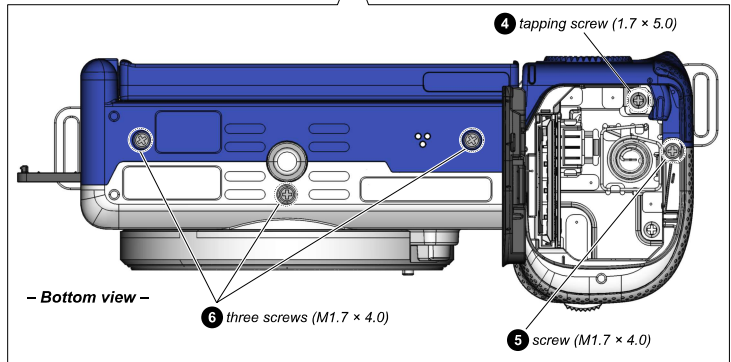
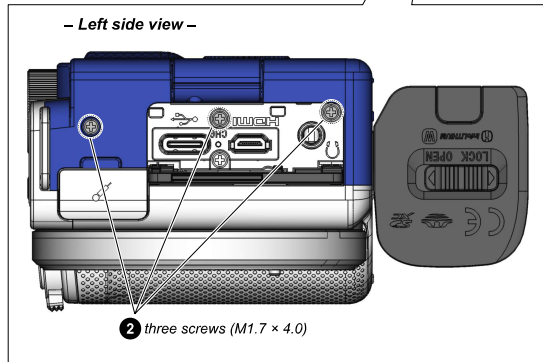
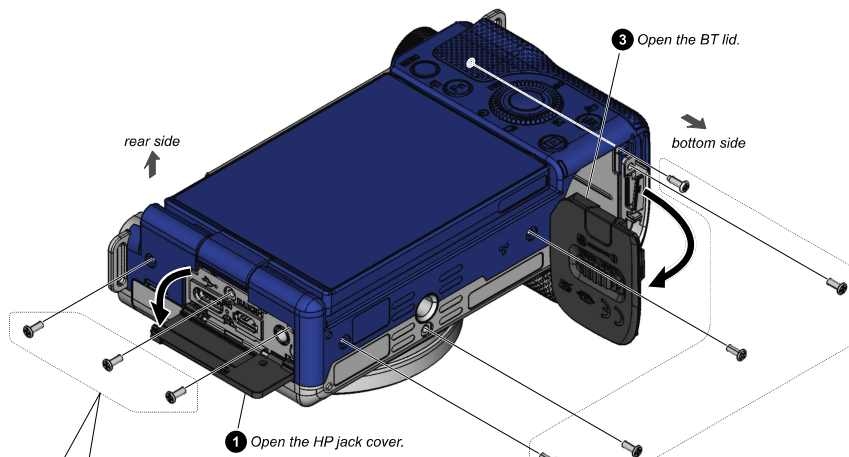
—

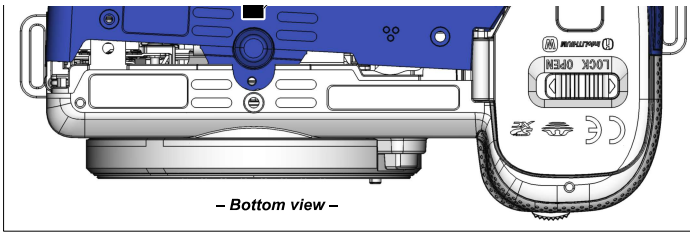


Note: Follow the disassembly procedure in the numerical order given.

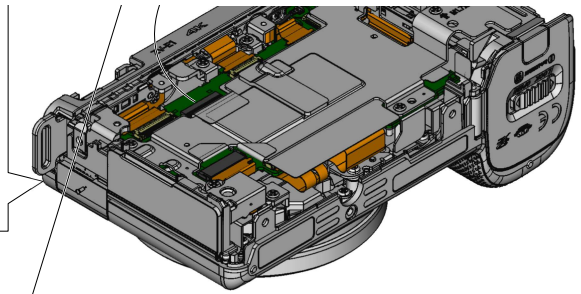
—

1. CABINET (REAR) BLOCK





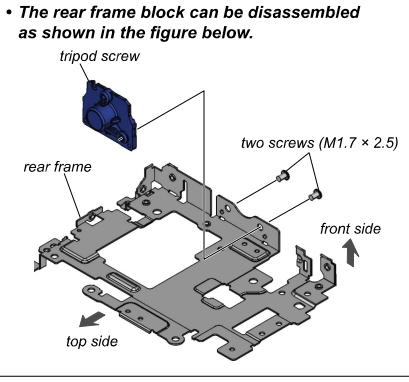
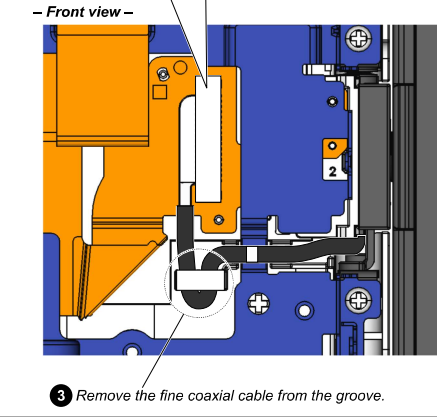
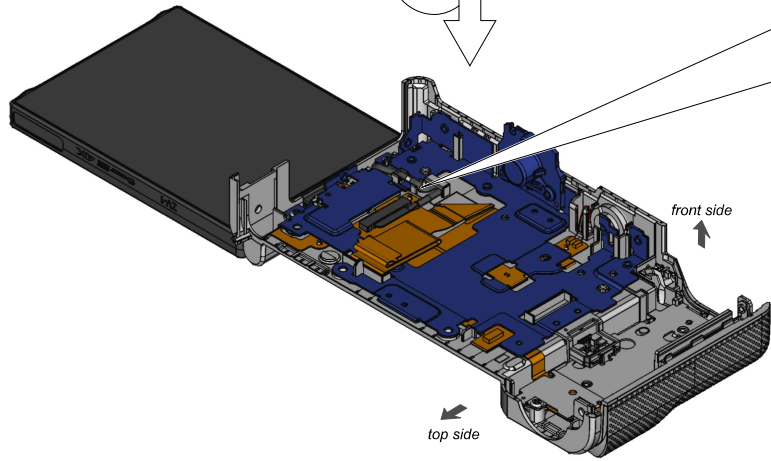
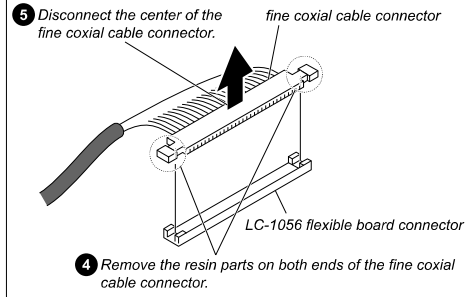
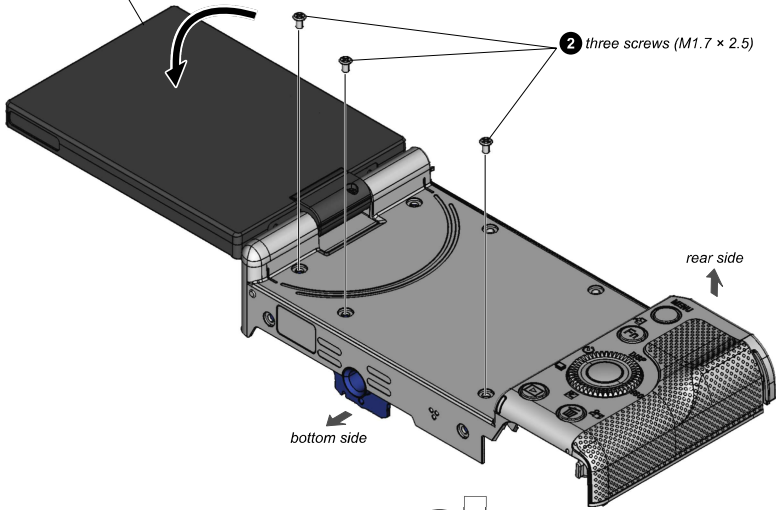
- Bottom view -



13 LC-1056 flexible board

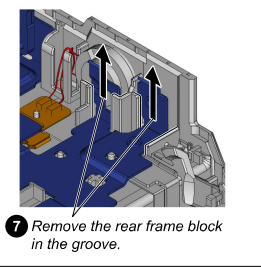
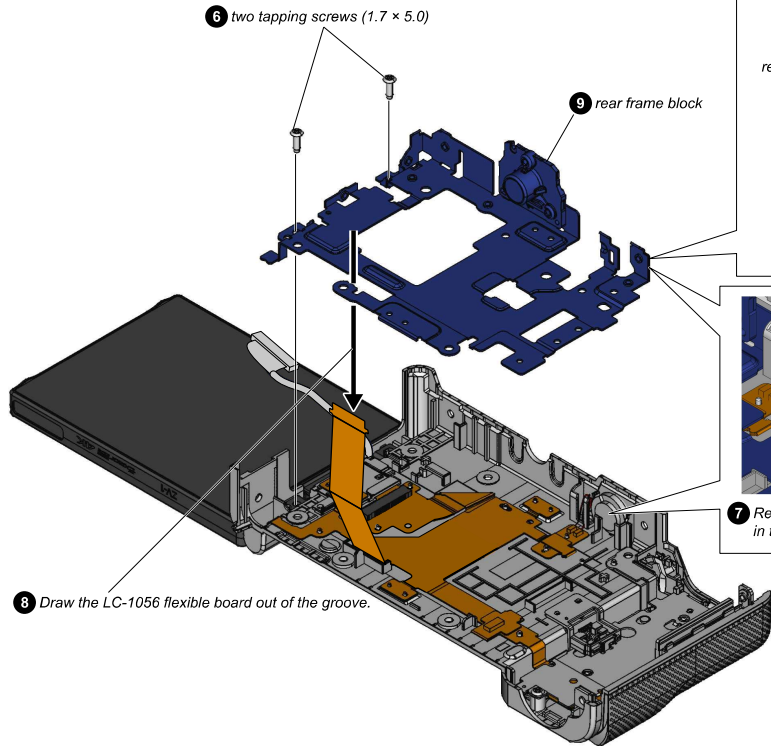
2. REAR FRAME BLOCK

1 Open the LCD panel.



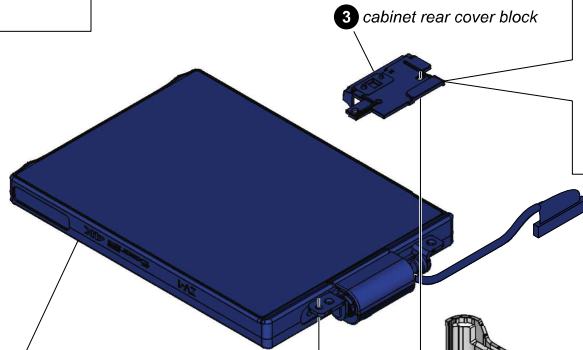
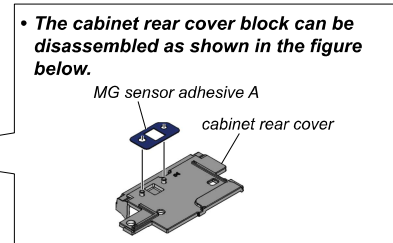
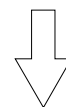
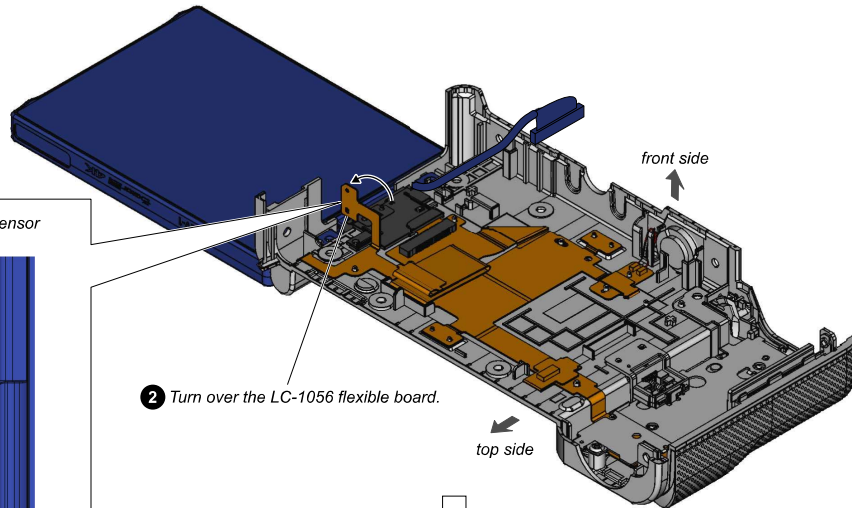
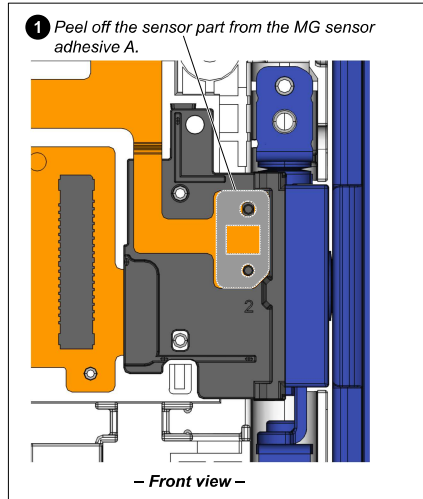
6 two tapping screws (1.7 x 5.0)

9 rear frame block

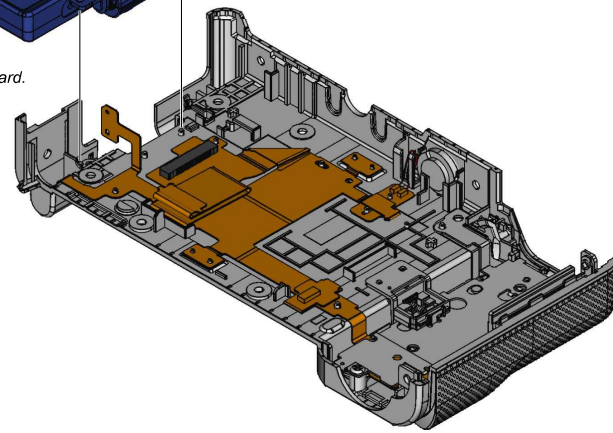


8 Draw the LC-1056 flexible board out of the groove.

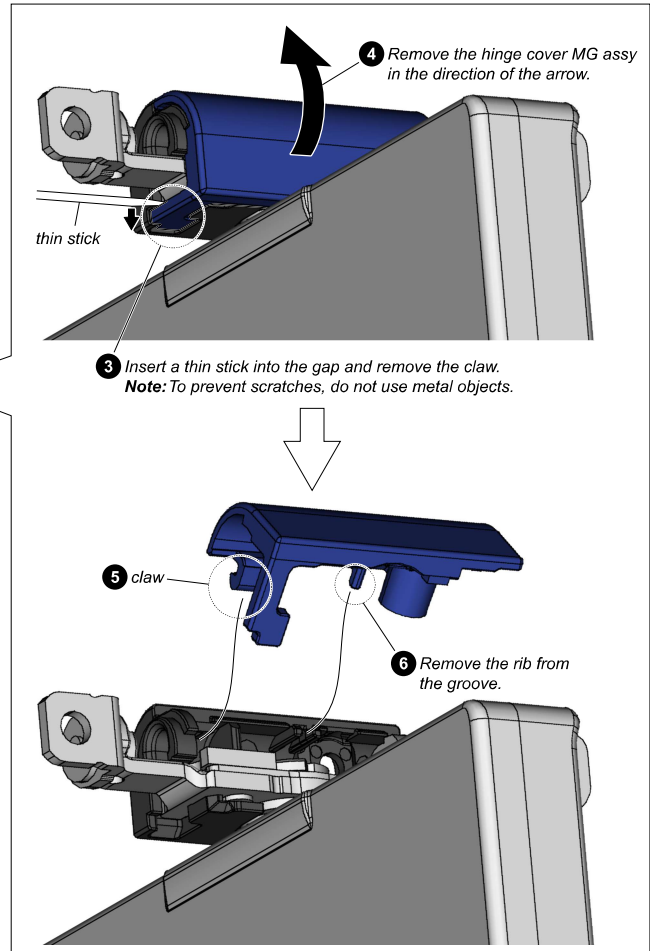
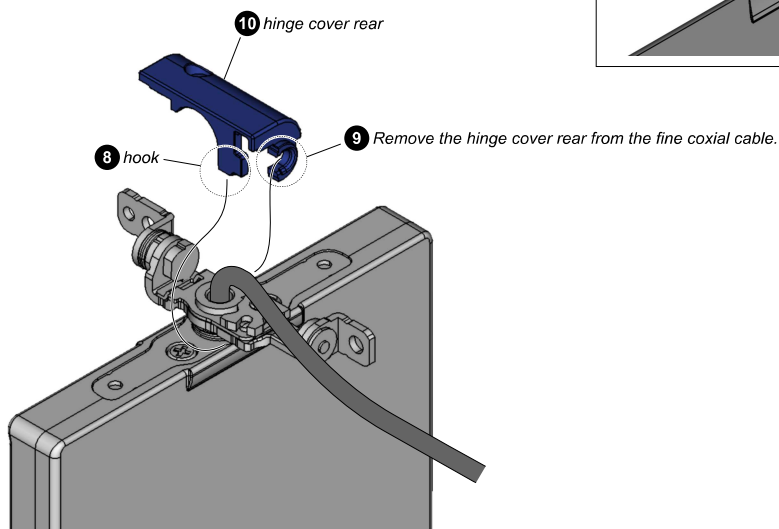
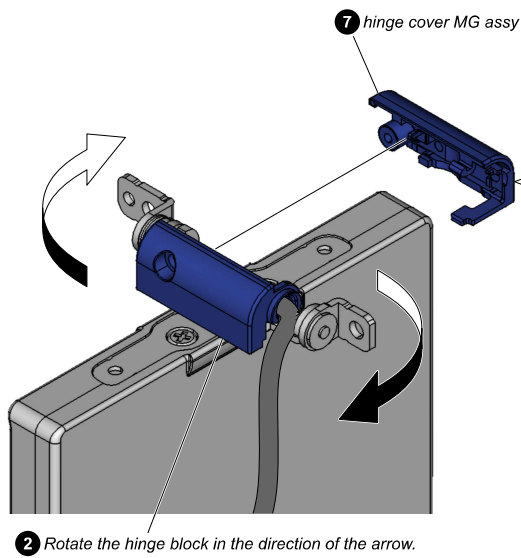
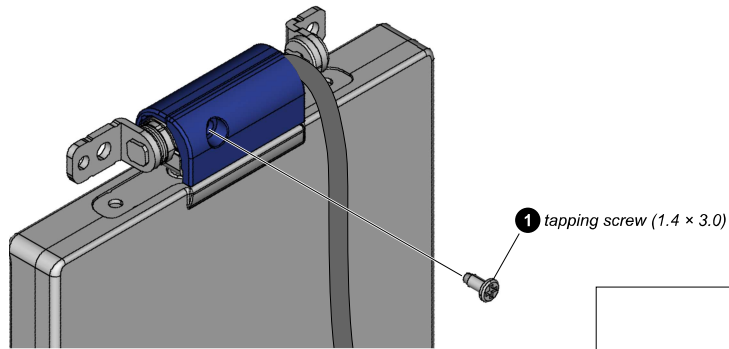
3. LCD CABINET BLOCK

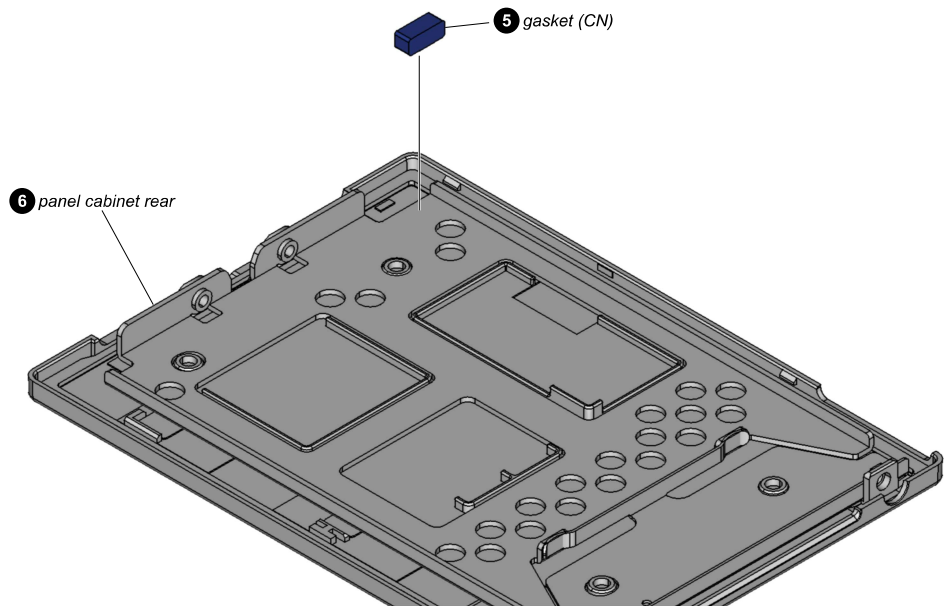
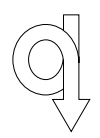
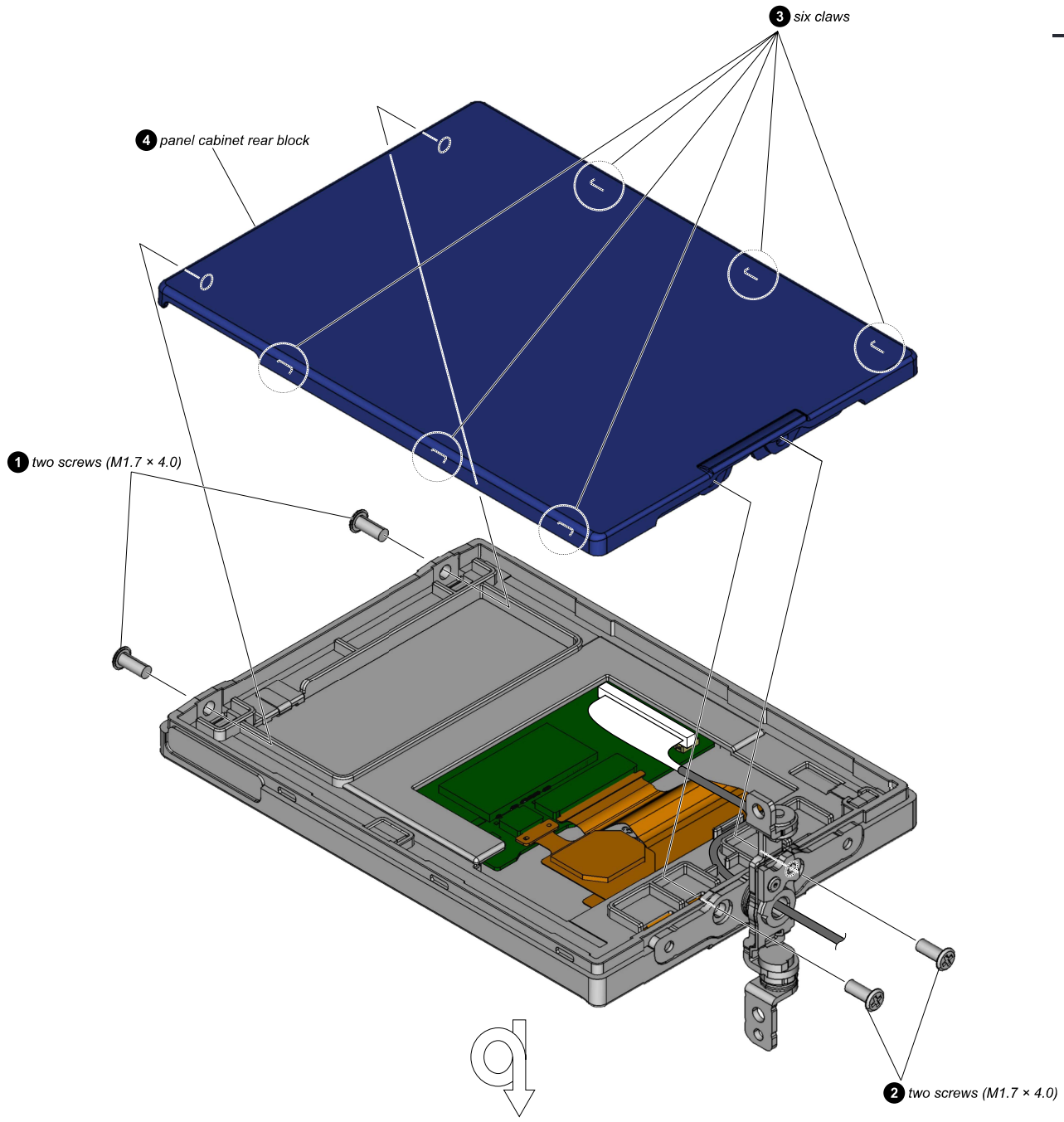


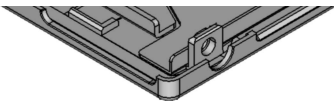
4 LCD cabinet block
Note: Take care not to damage the flexible board.



4. HINGE COVER MG ASSY, HINGE COVER REAR

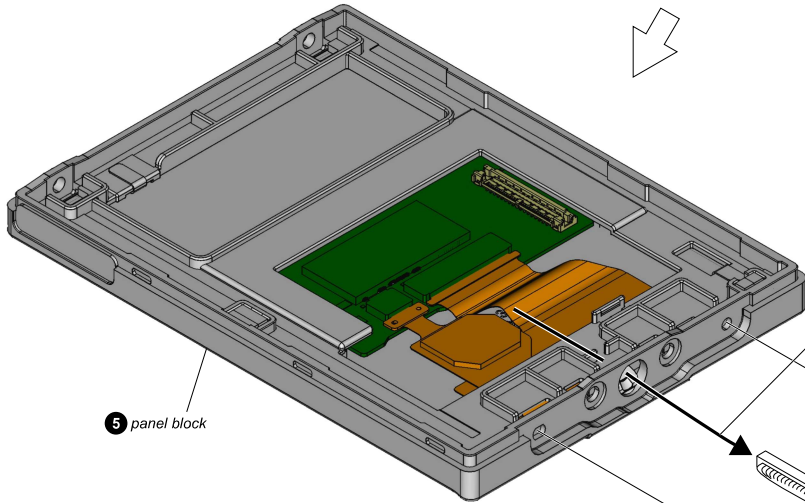
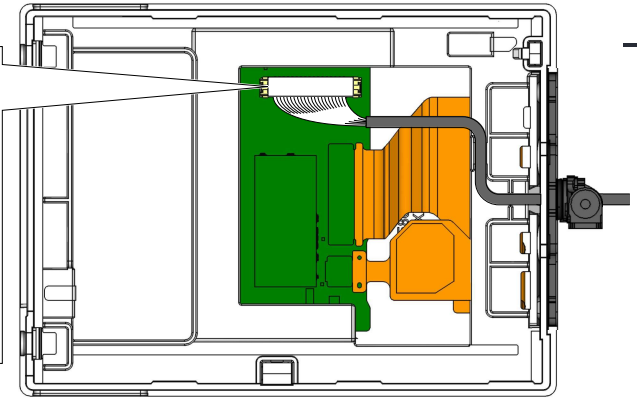
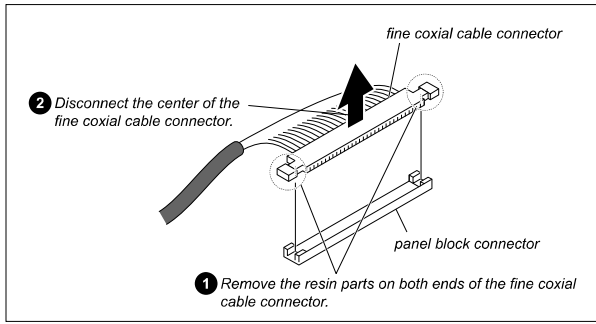




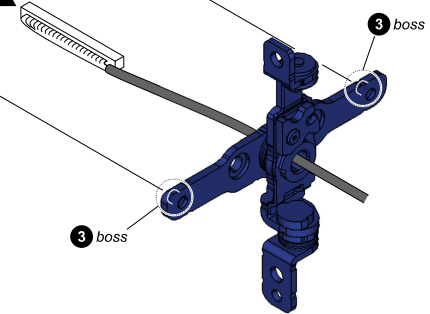


—

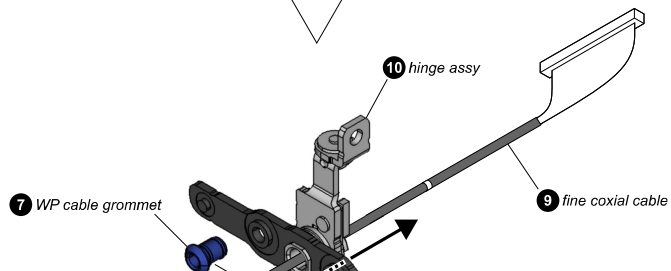
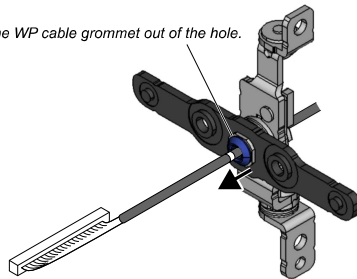
6. PANEL BLOCK, HINGE ASSY

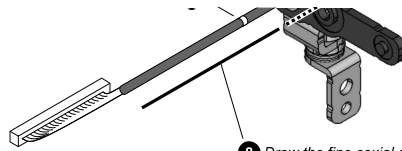


4 Draw the fine coaxial cable out of the hole on the panel block.
Note: Take care not to damage the fine coaxial cable.



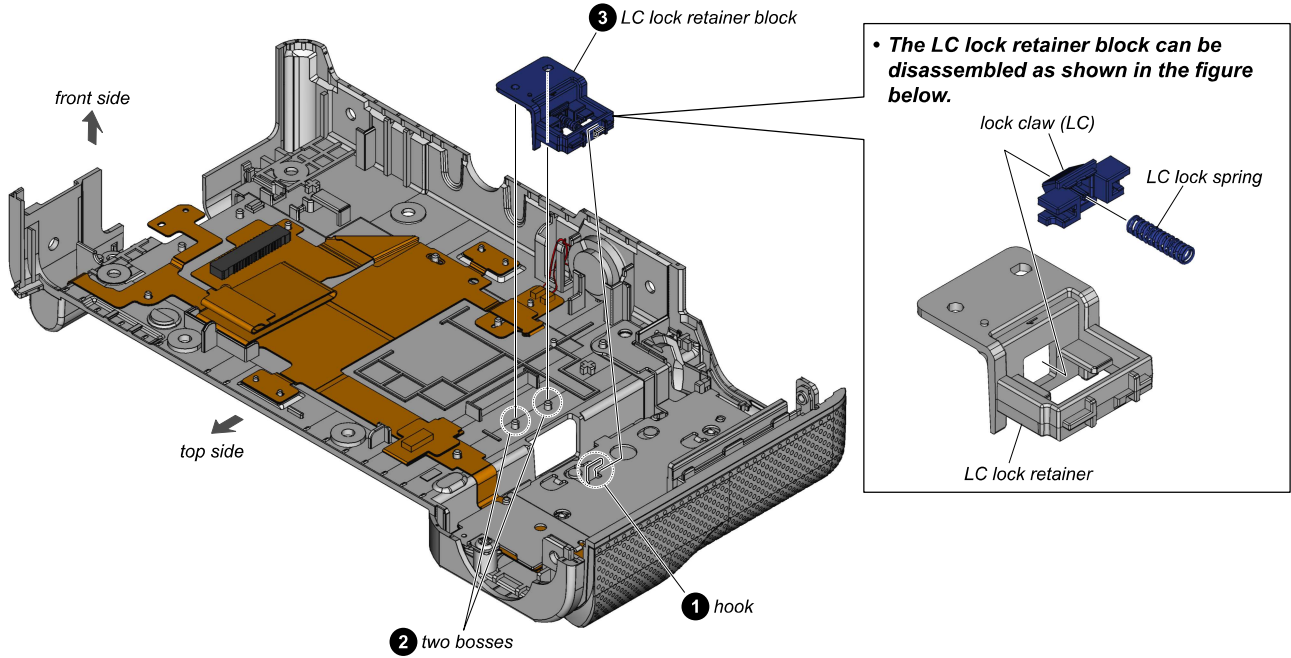
6 Draw the WP cable grommet out of the hole.





8 Draw the fine coaxial cable out of the hole on the hinge assy.
Note: Take care not to damage the fine coaxial cable.

7. LC LOCK RETAINER BLOCK



• The LC lock retainer block can be disassembled as shown in the figure below.

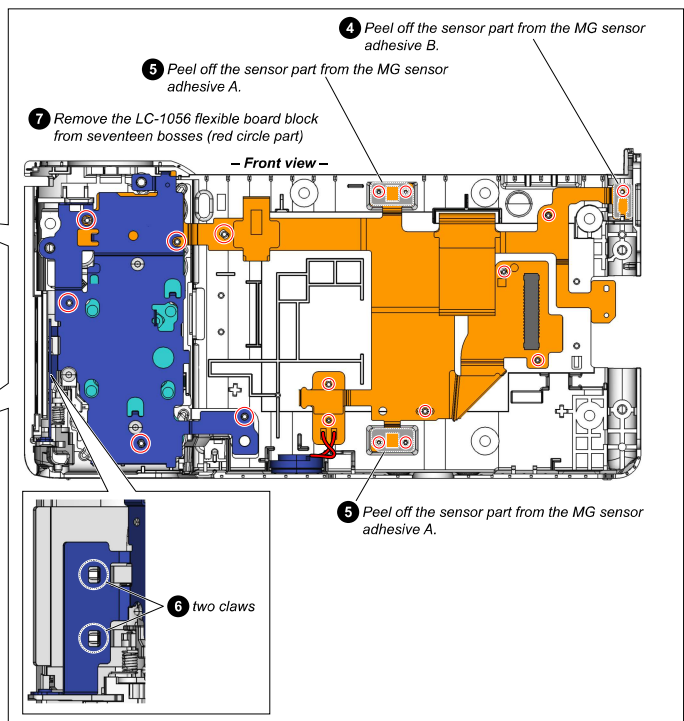
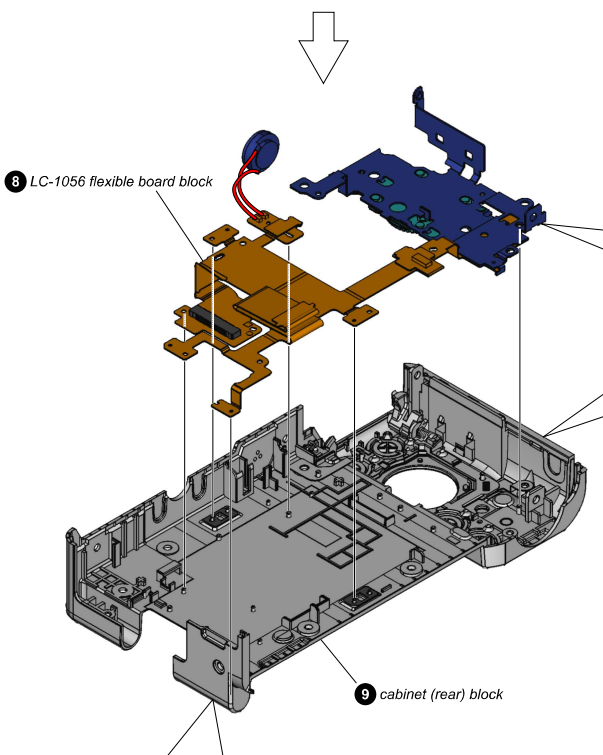
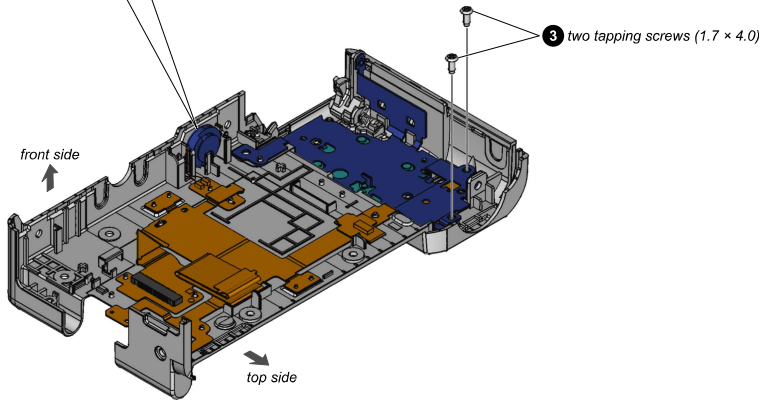
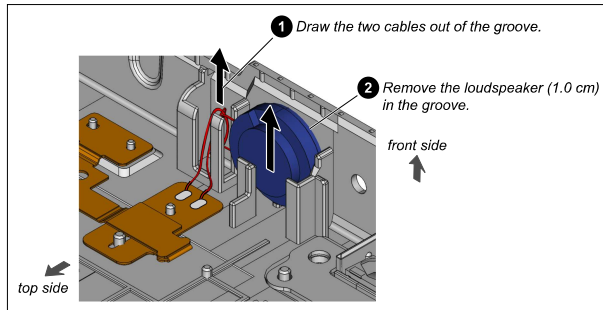
lock claw (LC)

LC lock spring

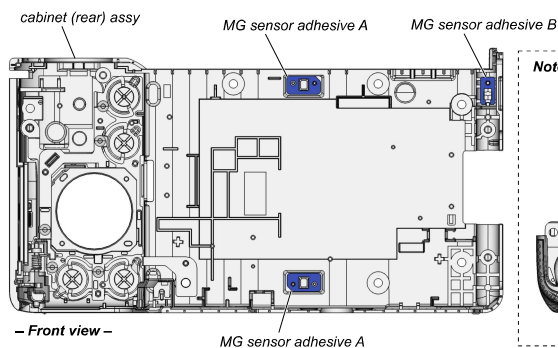
LC lock retainer

The disassembly diagram shows the blue LC lock retainer block being separated from the grey LC lock retainer. The lock claw (LC) and the LC lock spring are shown as separate components. The LC lock retainer is a rectangular metal plate with a central slot.

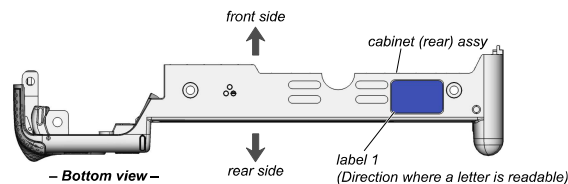
8. LC-1056 FLEXIBLE BOARD BLOCK, CABINET (REAR) BLOCK



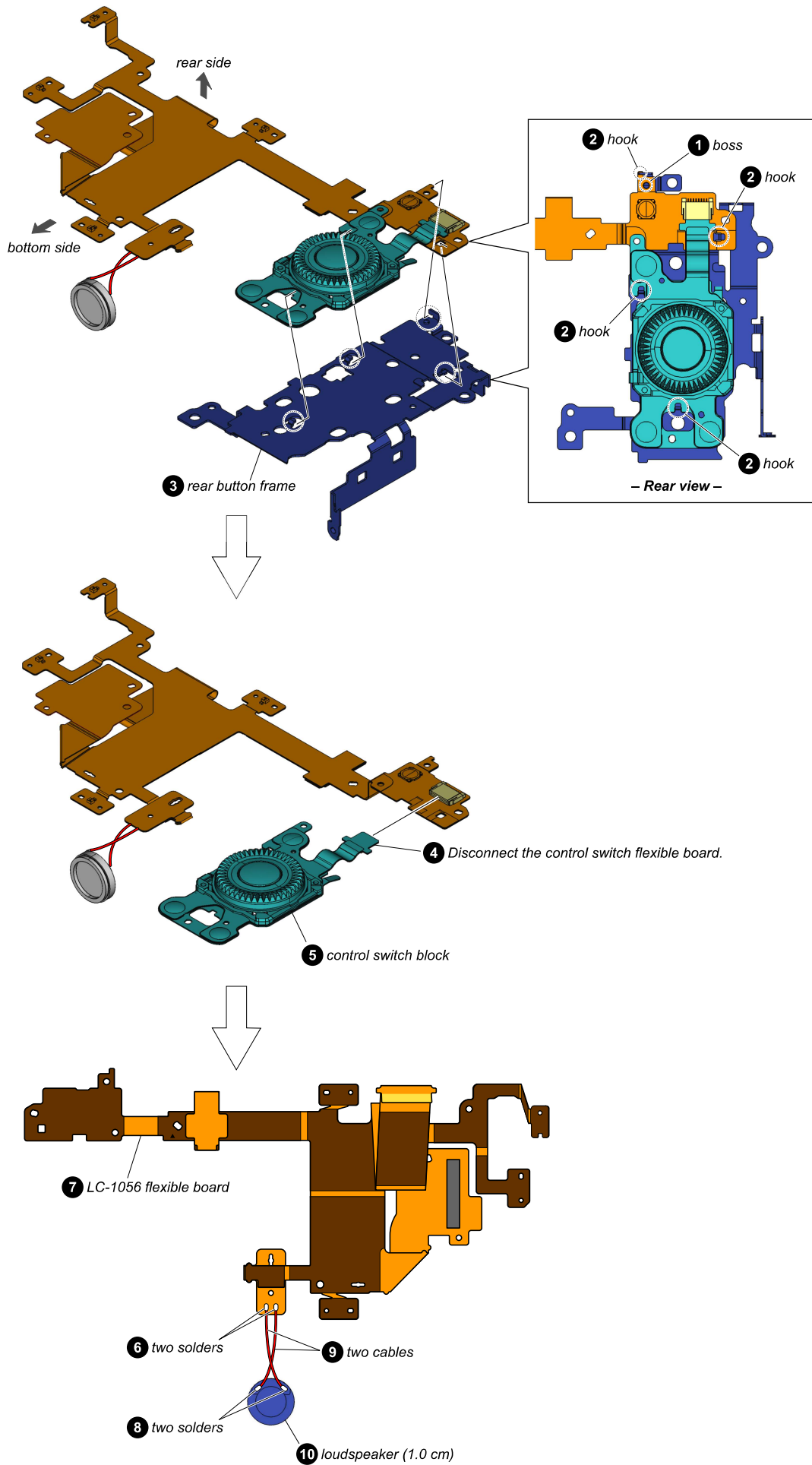
• The cabinet (rear) block can be disassembled as shown in the figure below.



Note: When replace the cabinet (rear) assy, remove the label 1 from the old cabinet (rear) assy and paste it on the new cabinet (rear) assy. Paste the label 1 in the same way as the old cabinet (rear) assy. If the old cabinet (rear) assy did not have the label 1, you do not need to paste it to the new cabinet (rear) assy.

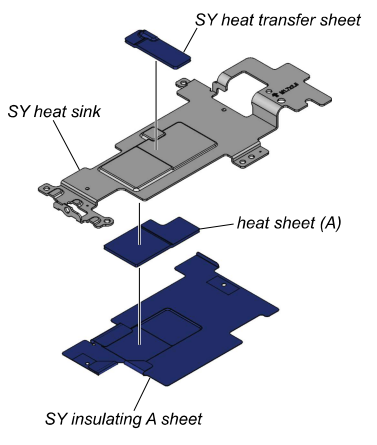


9. CONTROL SWITCH BLOCK, LC-1056 FLEXIBLE BOARD

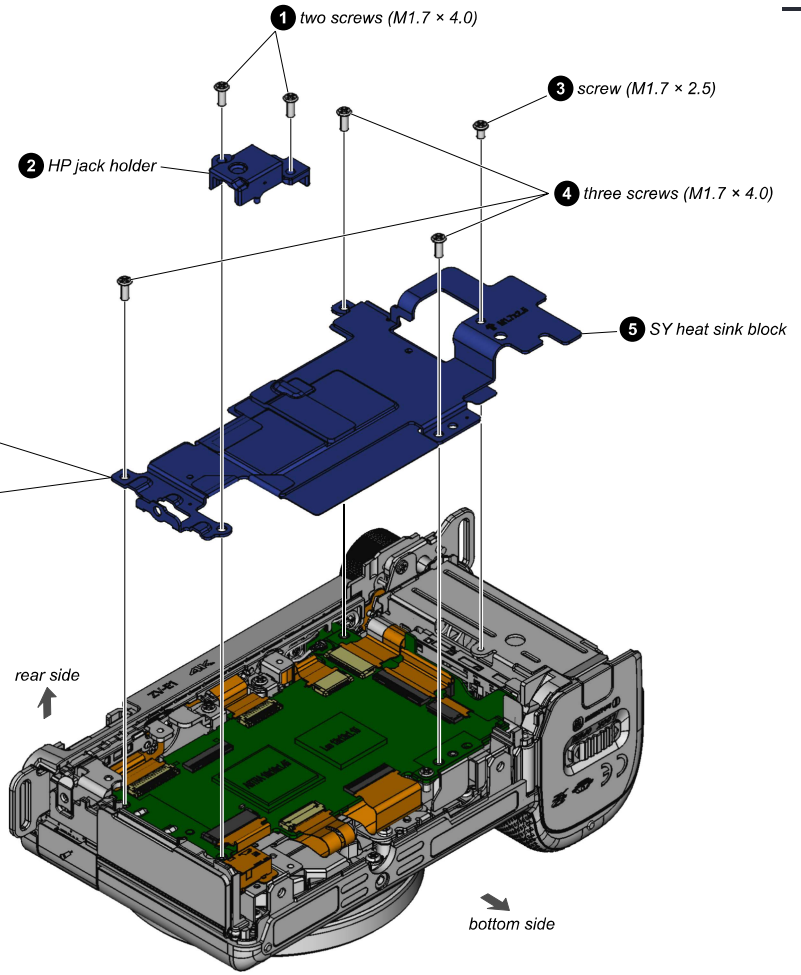


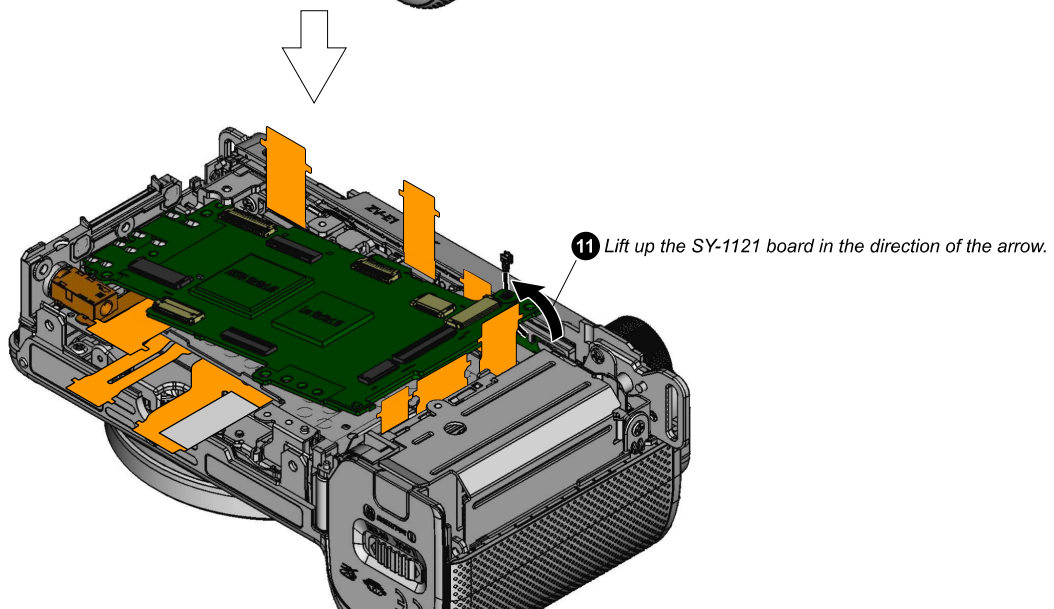
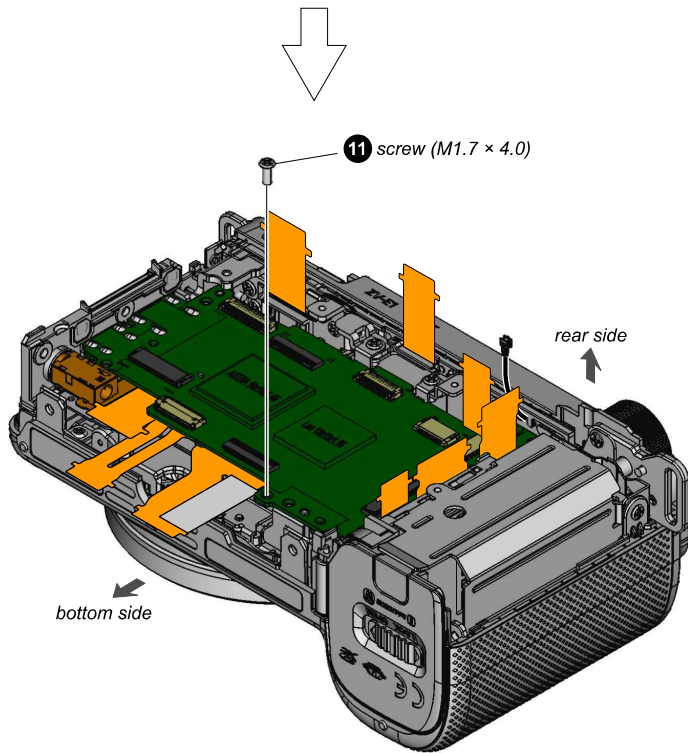
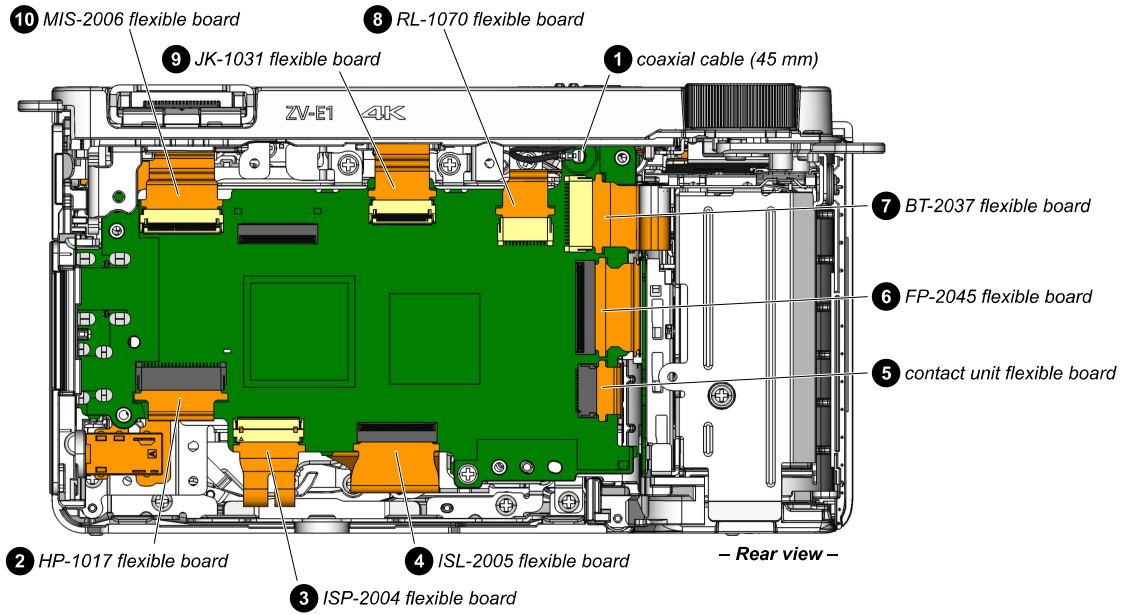
10. SY HEAT SINK BLOCK

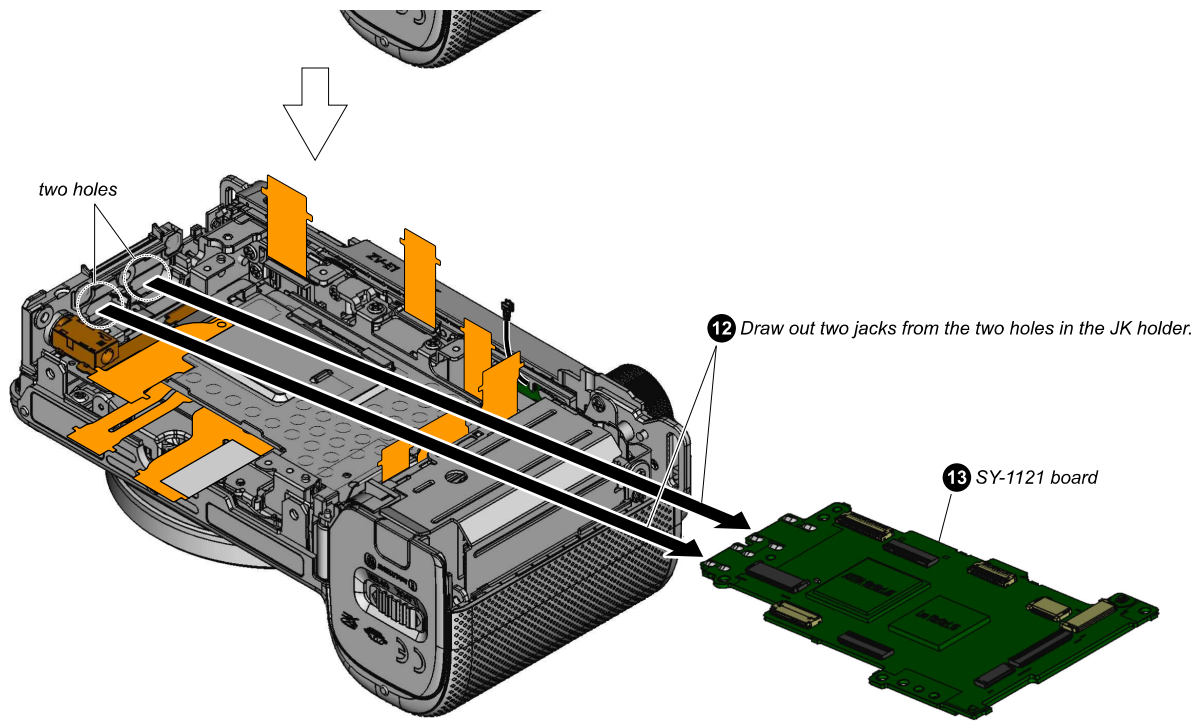
• The SY heat sink block can be disassembled as shown in the figure below.



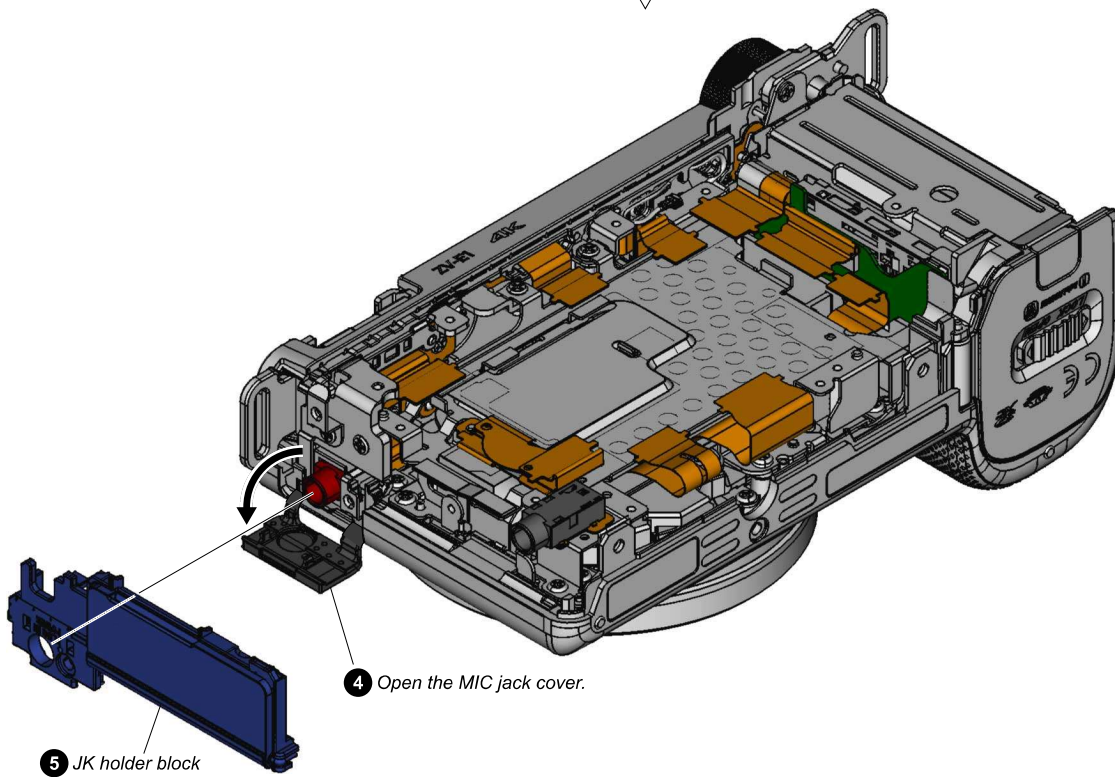
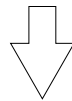
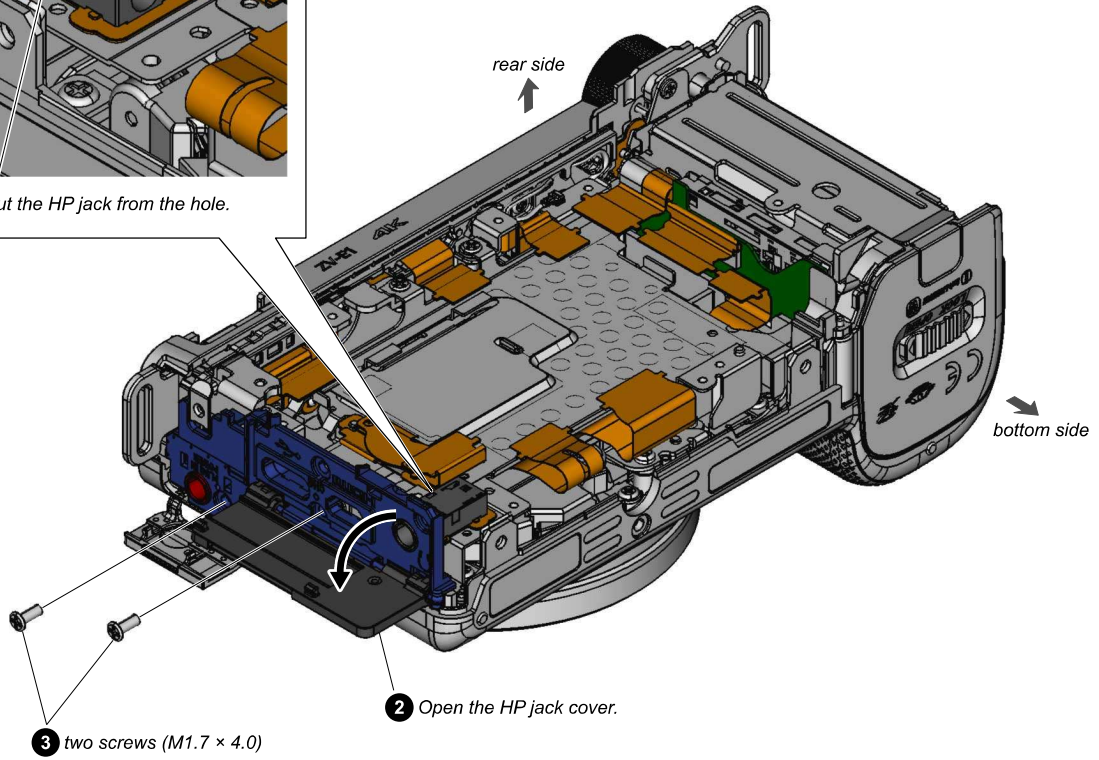
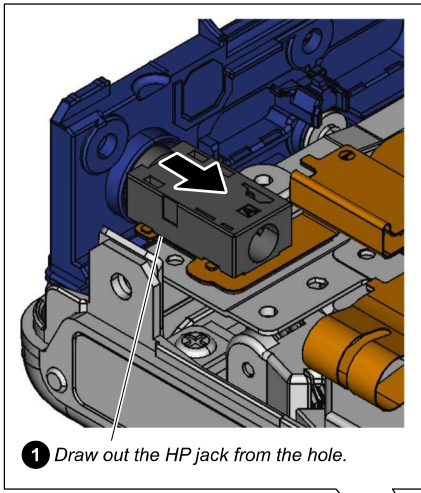
Labels for the exploded view:
SY heat transfer sheet
SY heat sink
heat sheet (A)
SY insulating A sheet



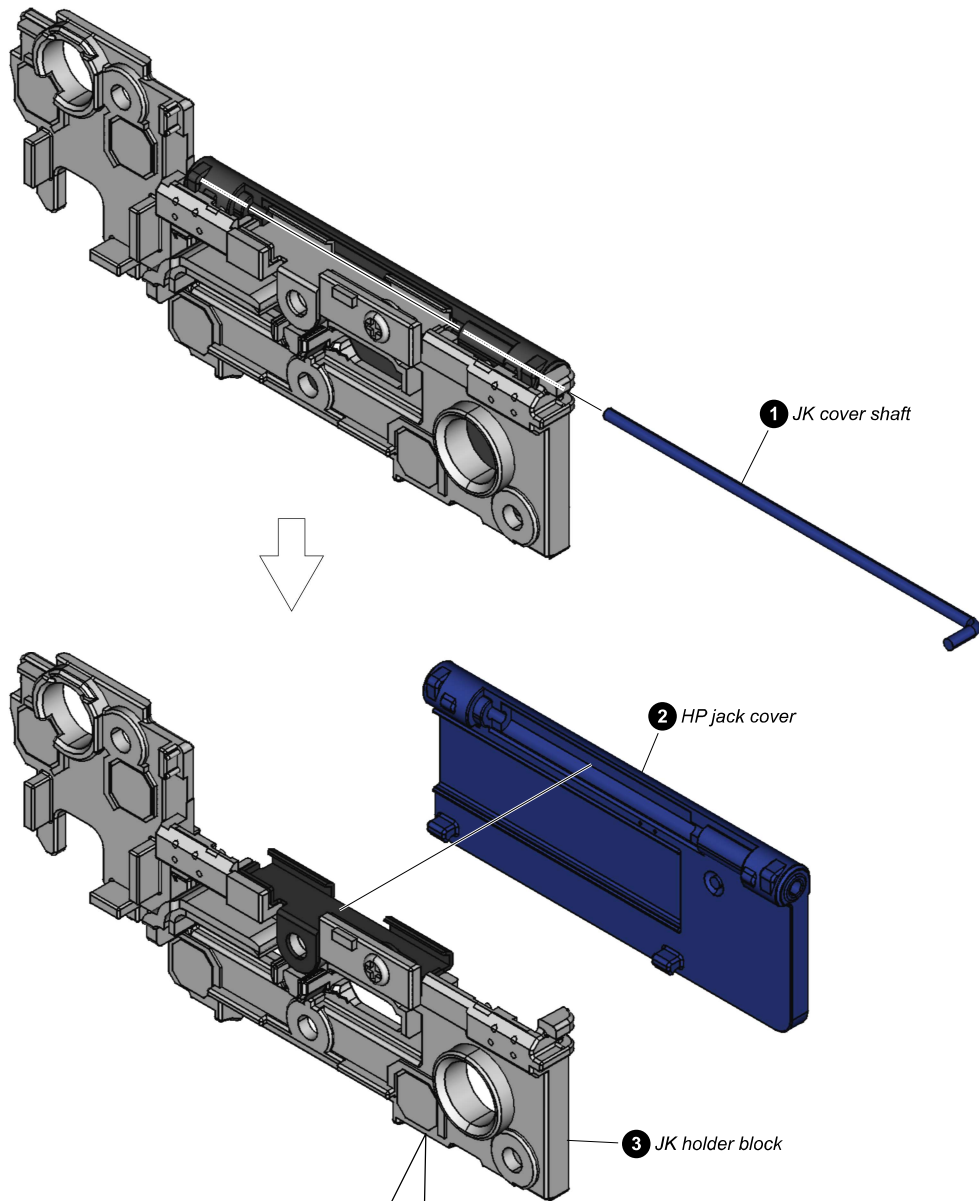




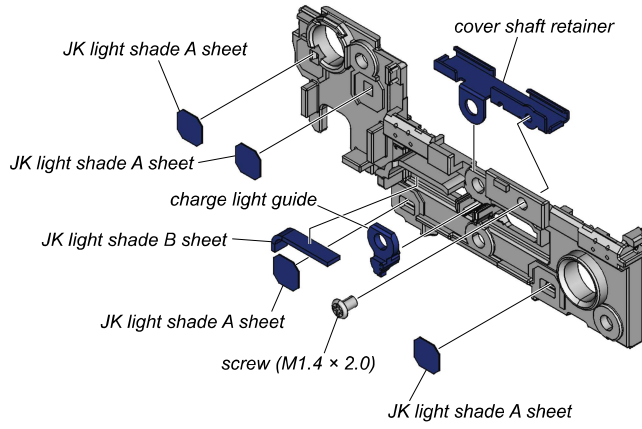
12. JK HOLDER BLOCK



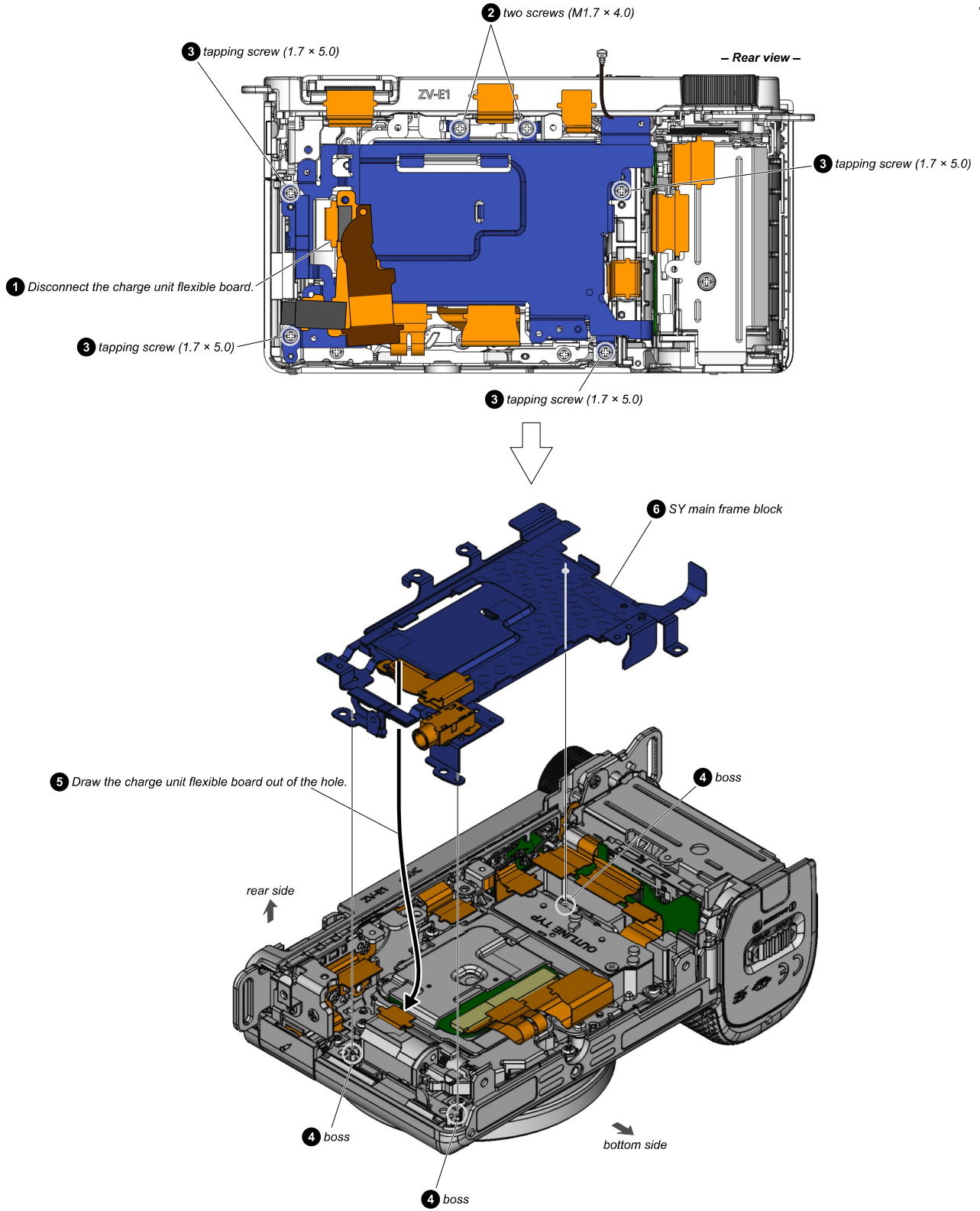
13. HP JACK COVER, JK HOLDER BLOCK



• The JK holder block can be disassembled as shown in the figure below.



14. SY MAIN FRAME BLOCK

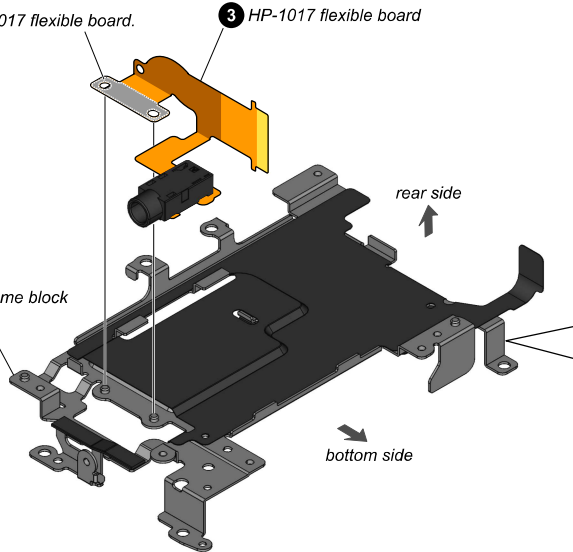


15. HP-1017 FLEXIBLE BOARD

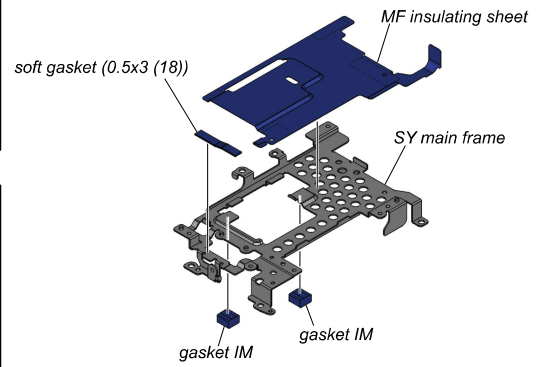
1 Peel off the HP-1017 flexible board.

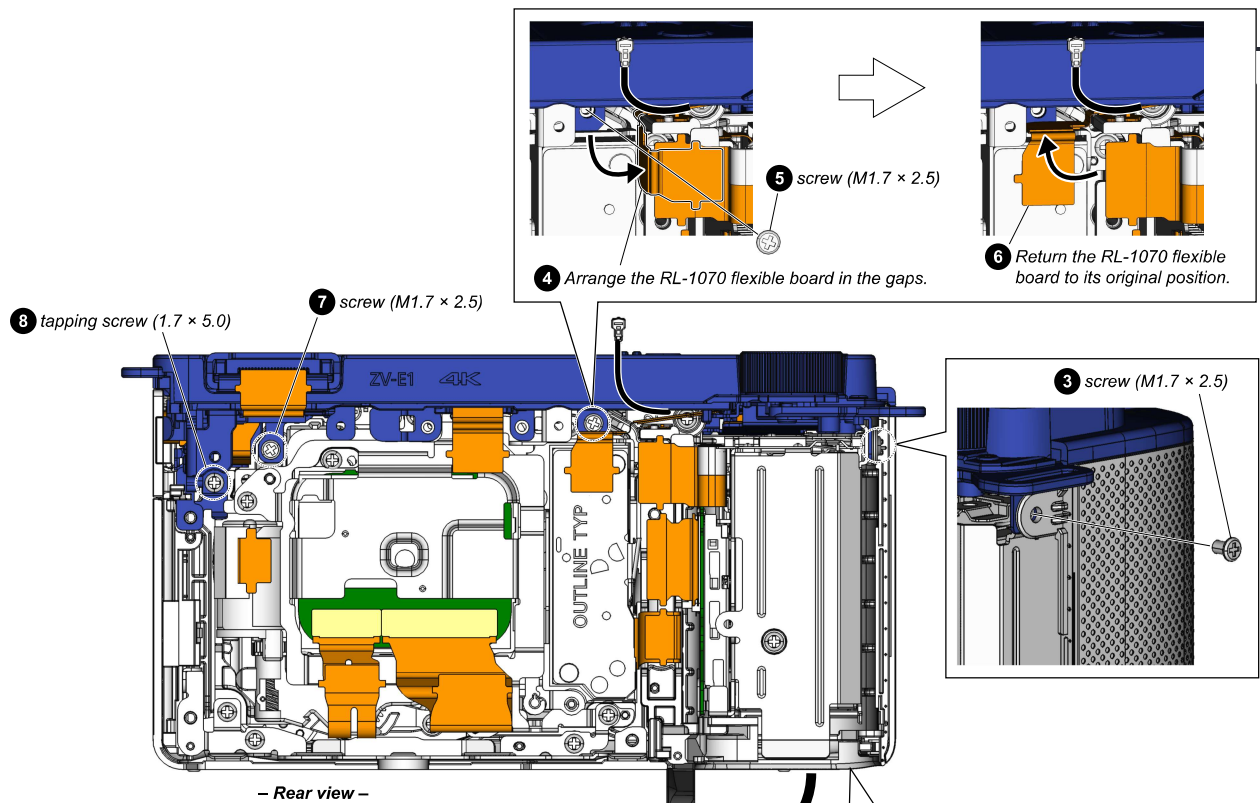
3 HP-1017 flexible board

2 SY main frame block

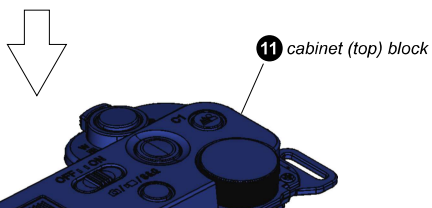
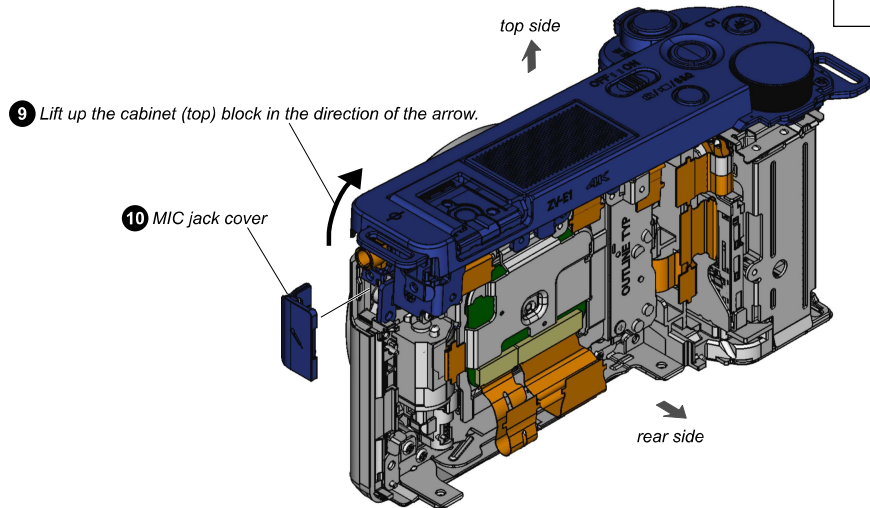
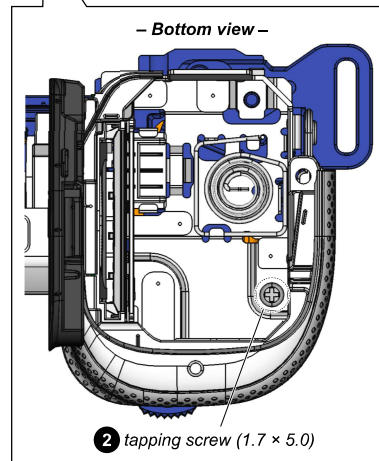


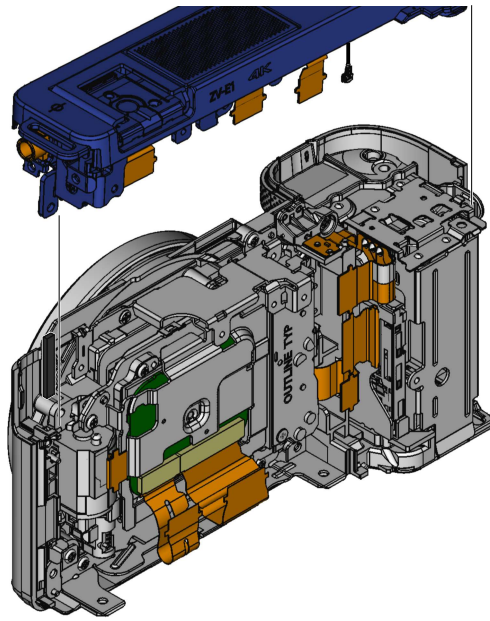
• The SY main frame block can be disassembled as shown in the figure below.



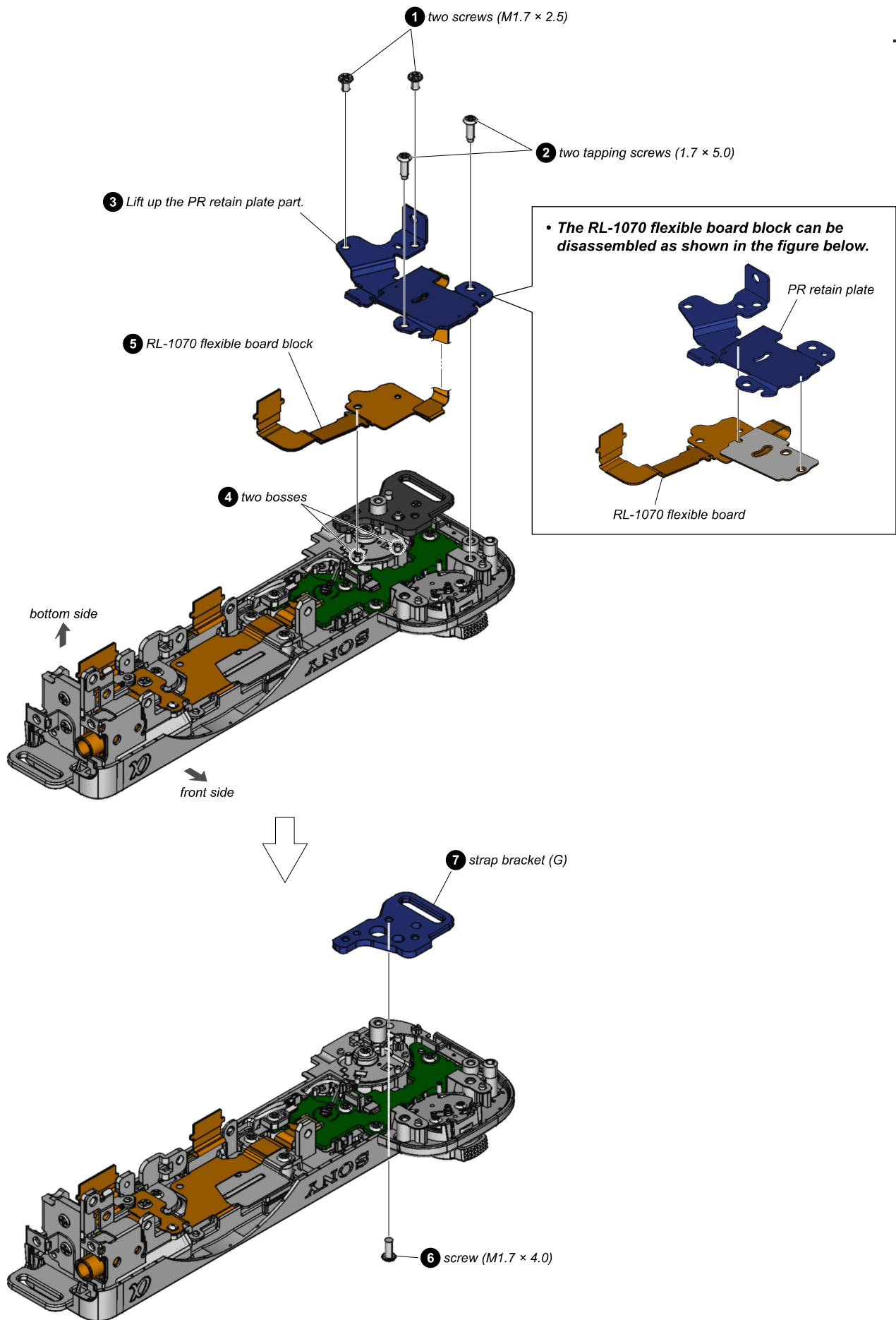


1 Open the battery lid.

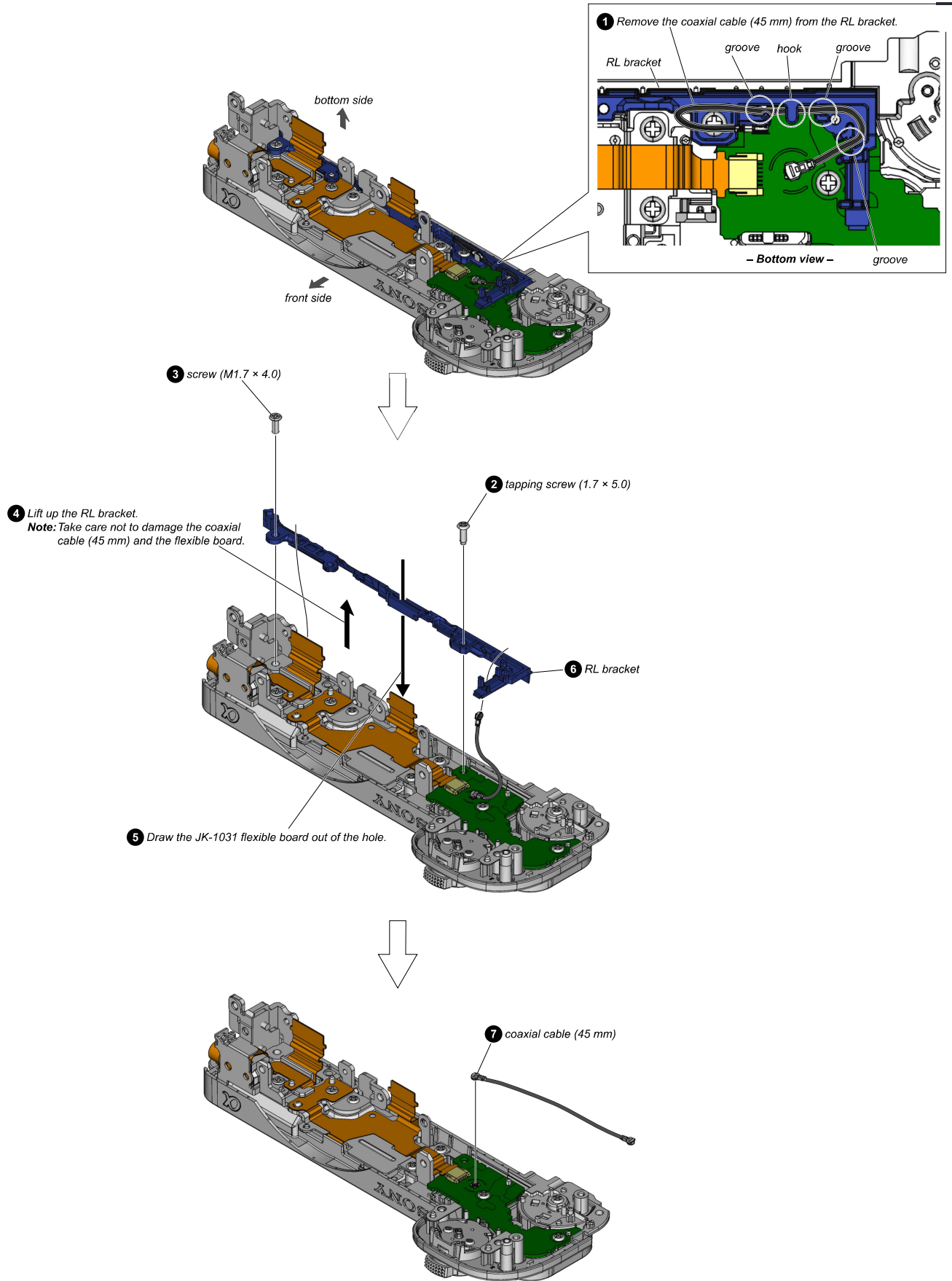




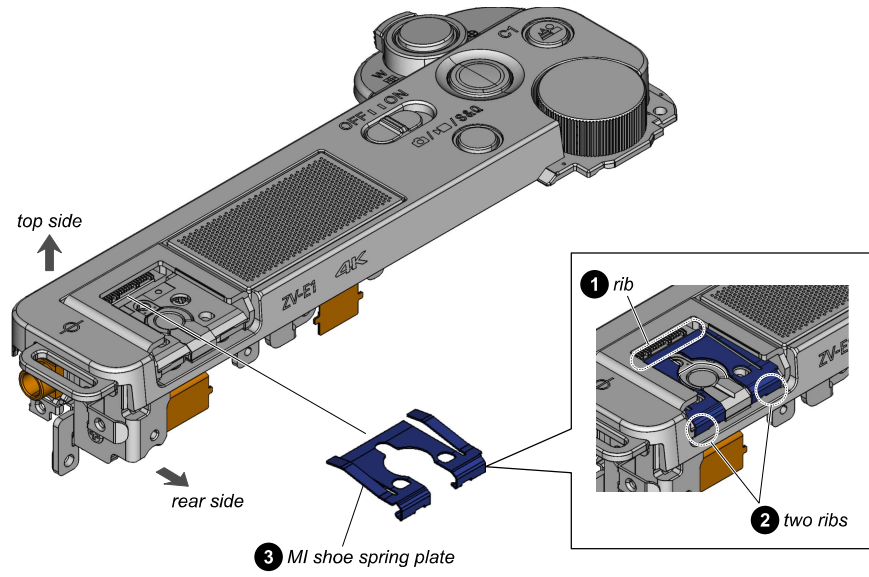
17. RL-1070 FLEXIBLE BOARD BLOCK



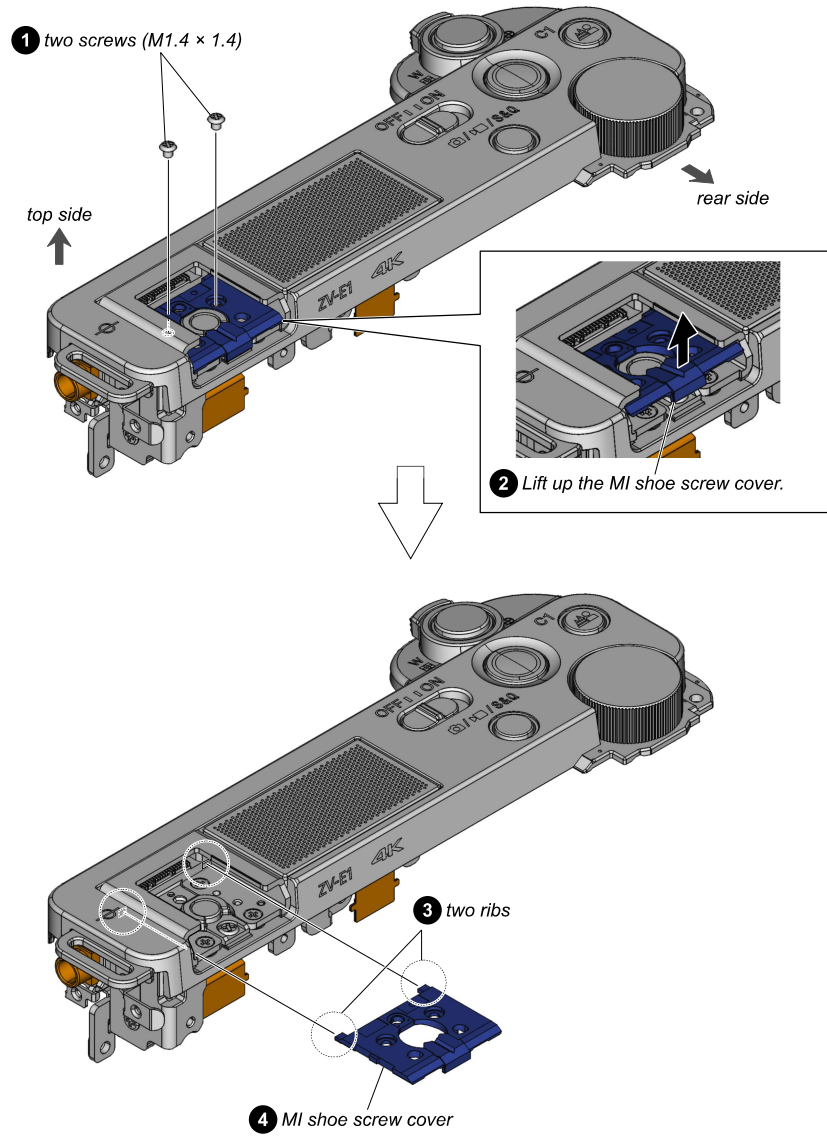
18. COAXIAL CABLE (45 mm)



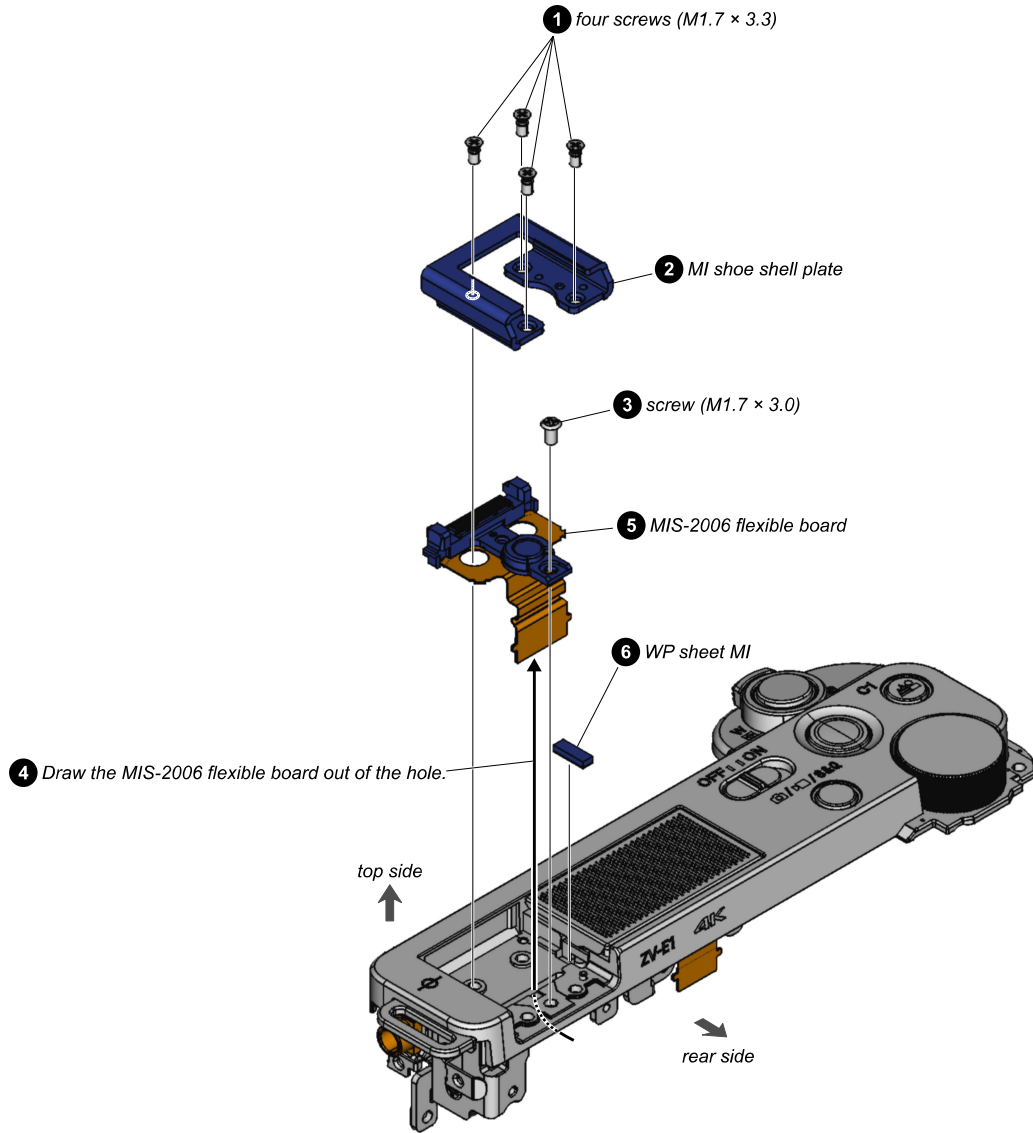
19. MI SHOE SPRING PLATE



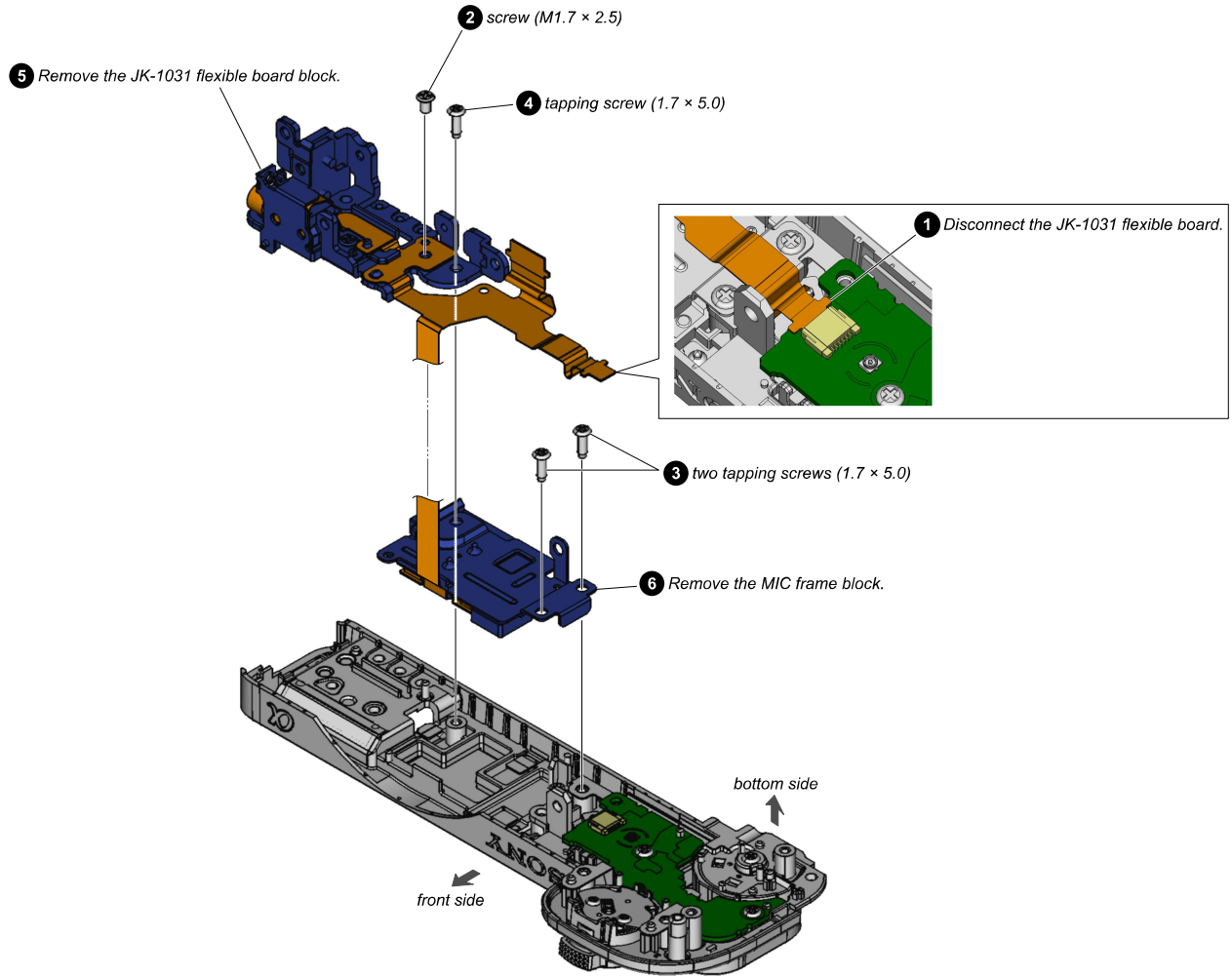
20. MI SHOE SCREW COVER



21. MIS-2006 FLEXIBLE BOARD

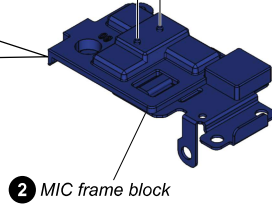
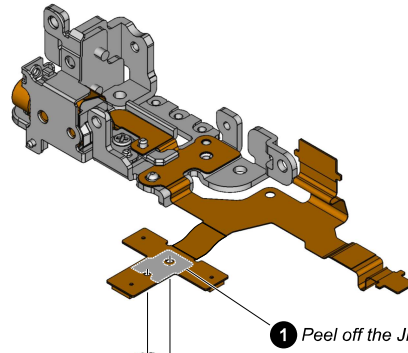
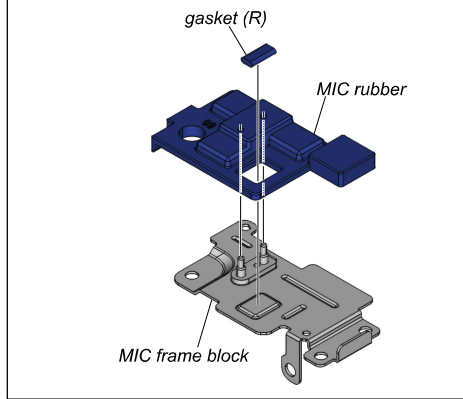


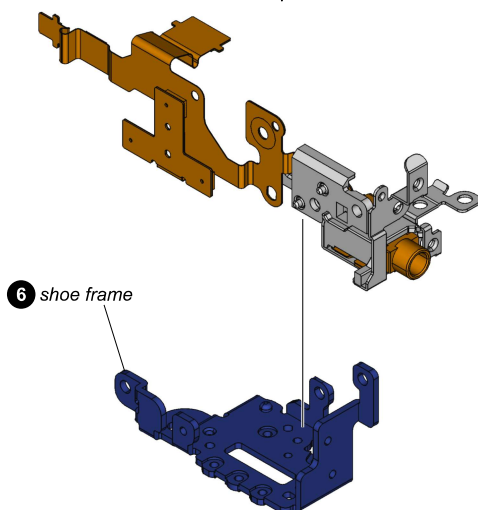
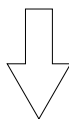
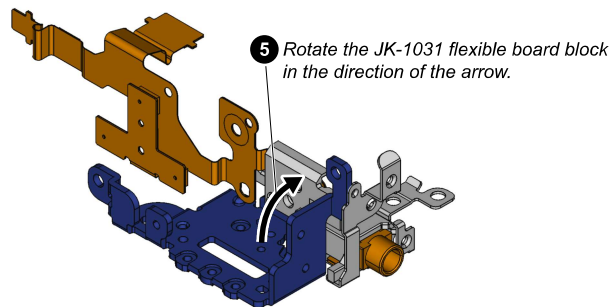
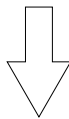
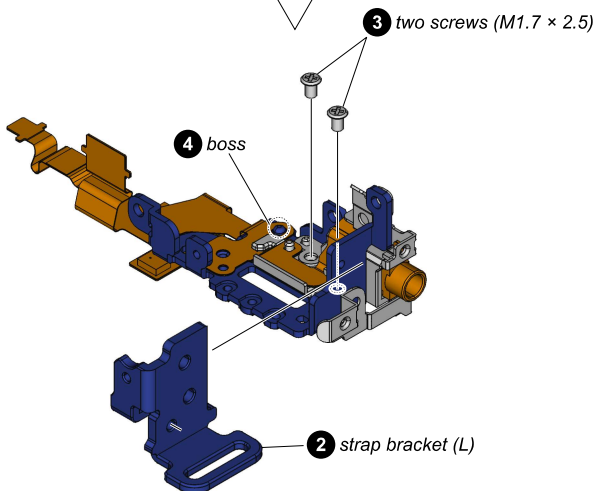
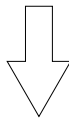
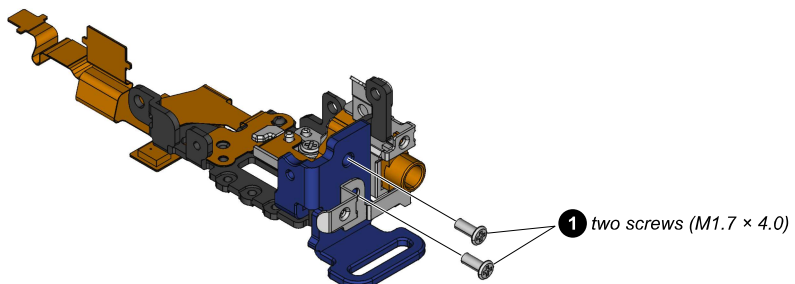
22. JK-1031 FLEXIBLE BOARD BLOCK



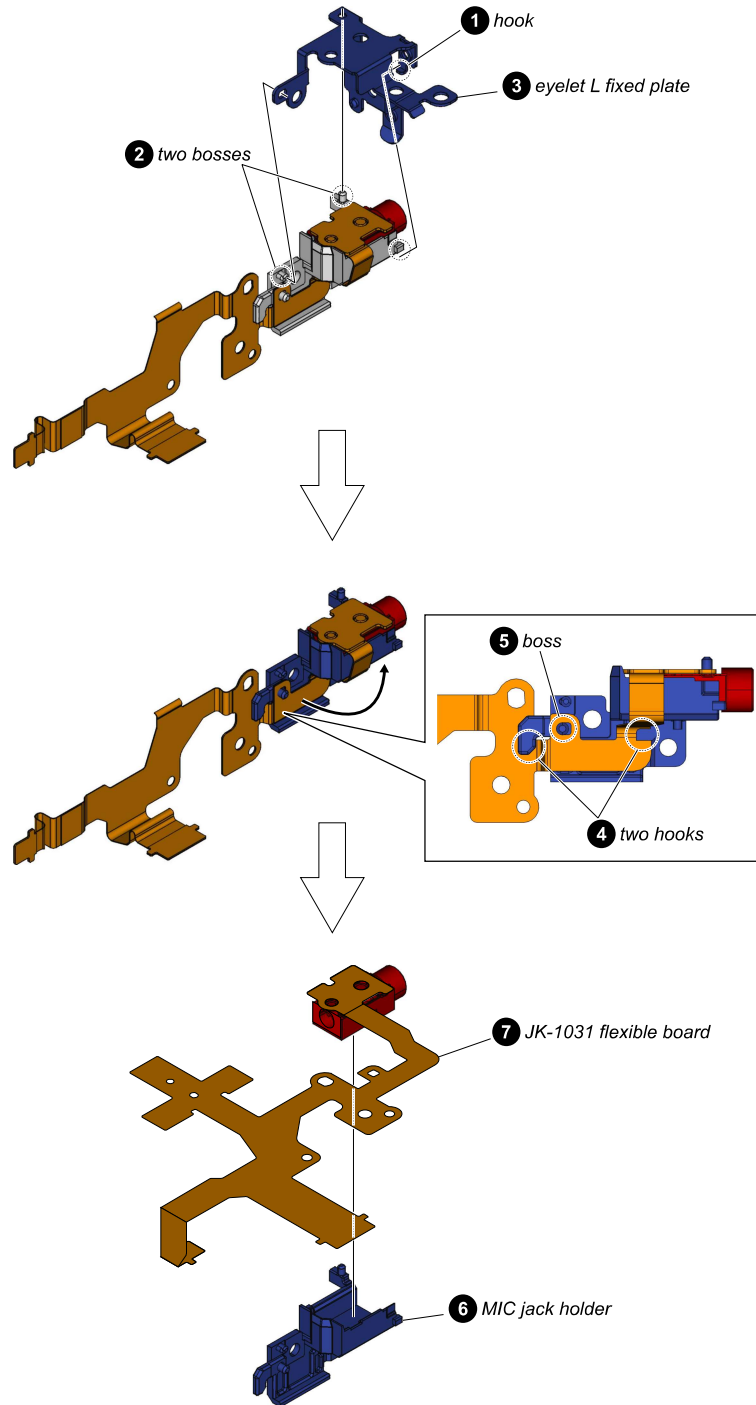
23. MIC FRAME BLOCK

- The MIC frame block can be disassembled as shown in the figure below.

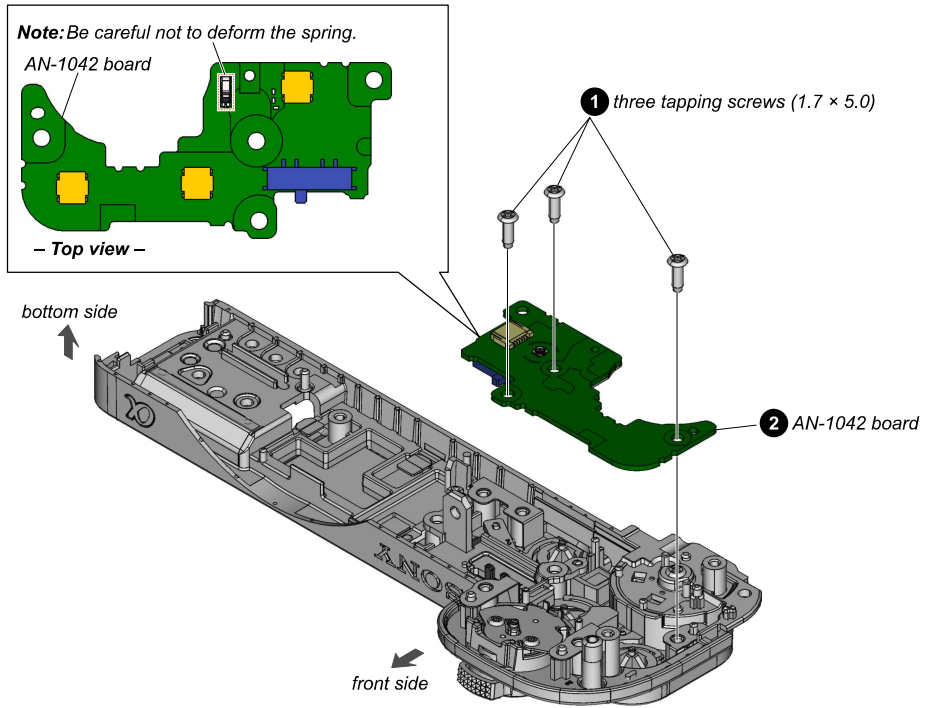




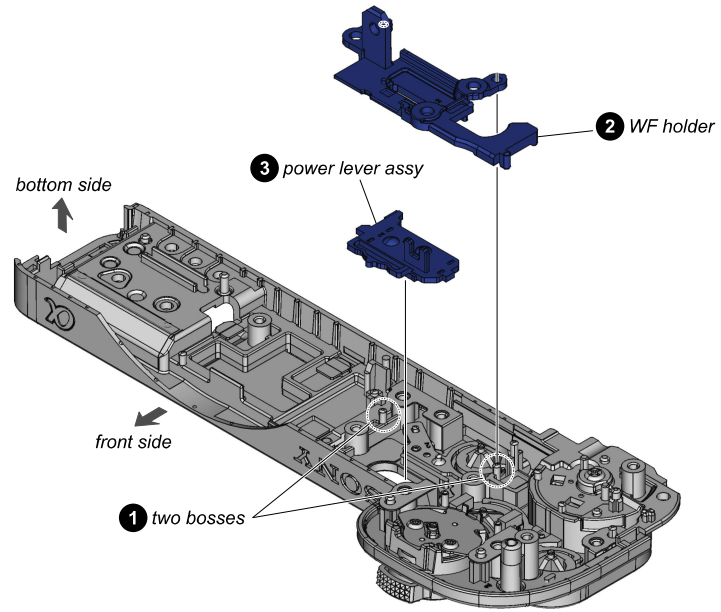
25. JK-1031 FLEXIBLE BOARD



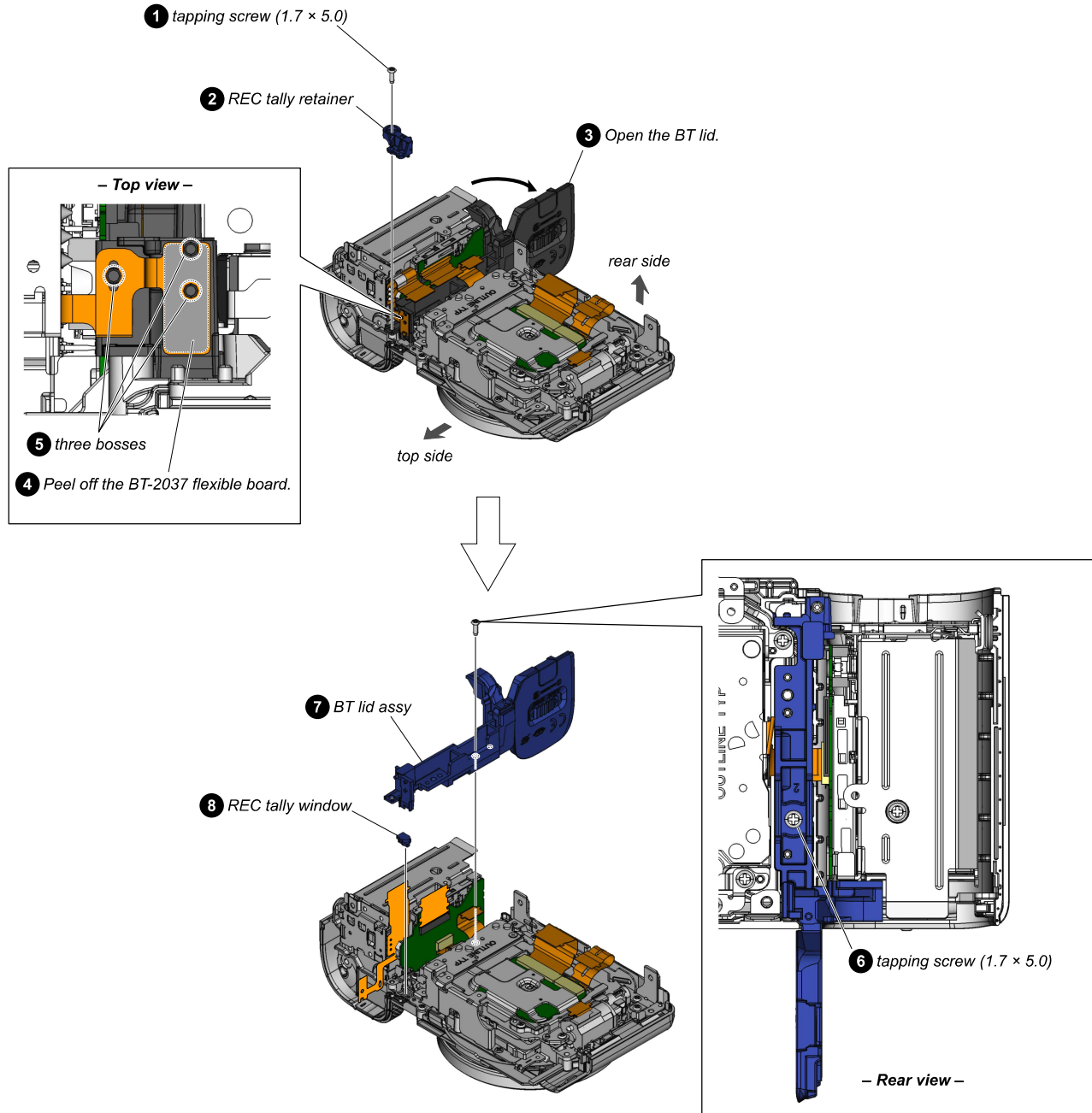
26. AN-1042 BOARD



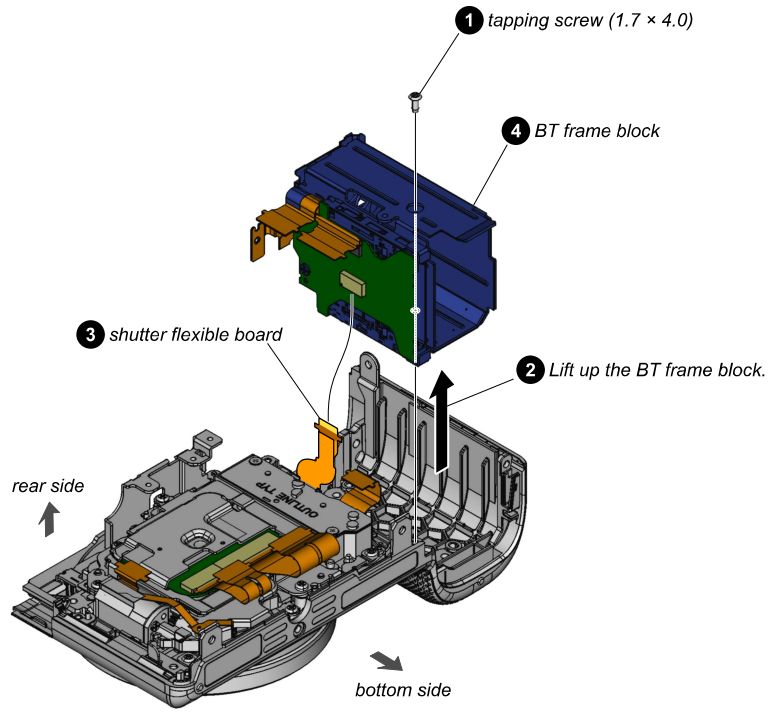
27. POWER LEVER ASSY



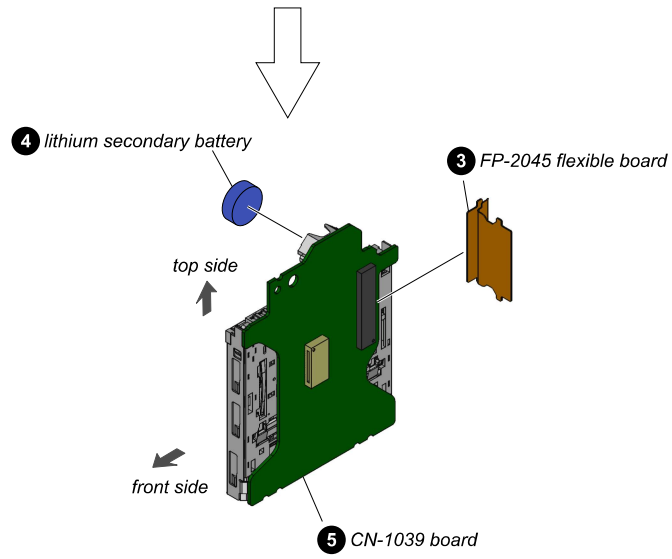
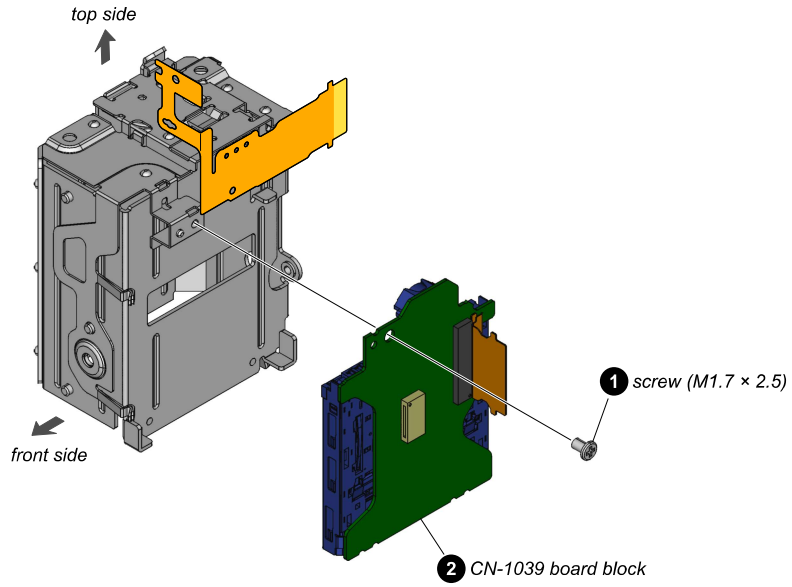
29. BT LID ASSY



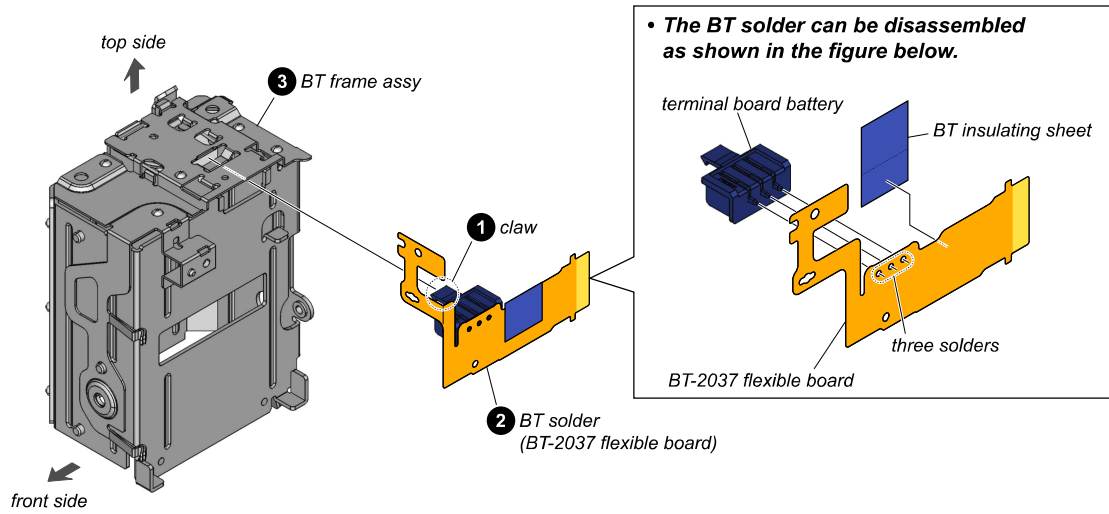
30. BT FRAME BLOCK



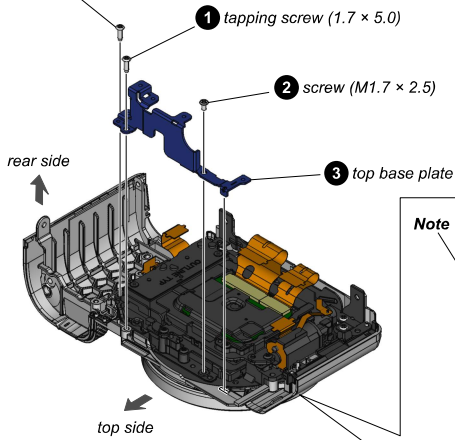
31. CN-1039 BOARD



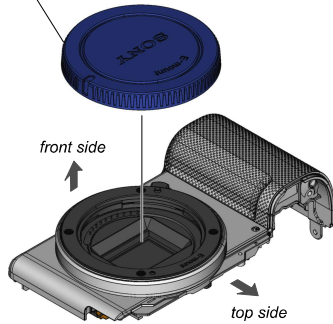
32. BT SOLDER (BT-2037 FLEXIBLE BOARD), BT FRAME ASSY



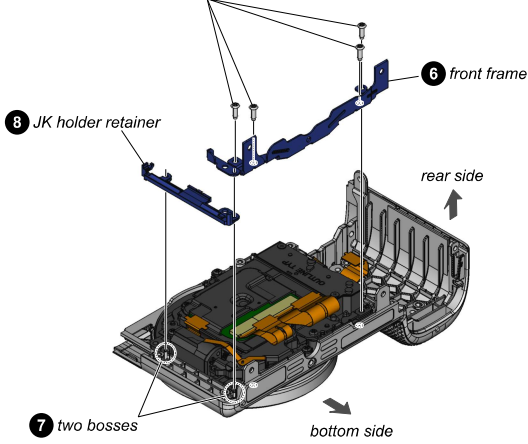
4 tapping screw (1.7 × 5.0)



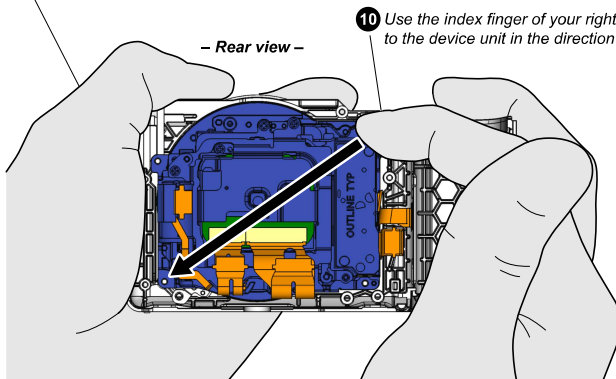
Note 1: If the body cap is attached, remove it.



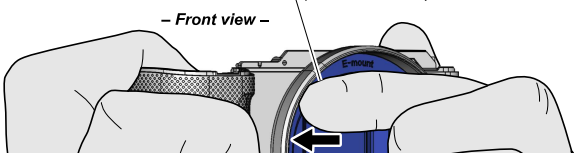
5 four tapping screws (1.7 × 5.0)

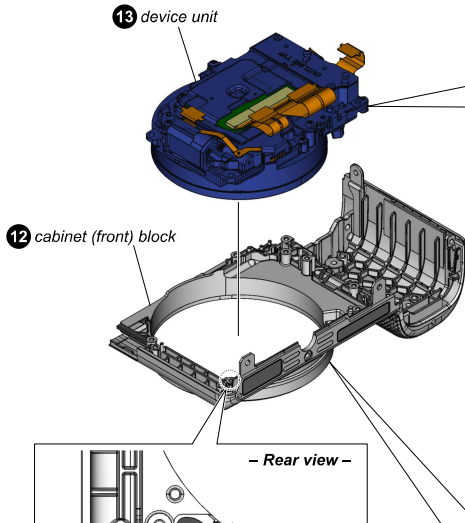
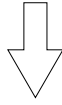
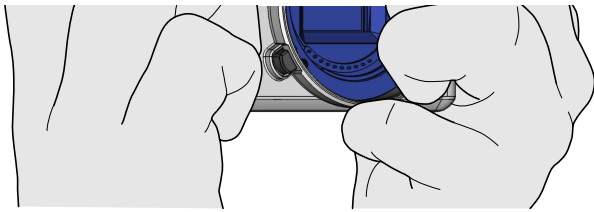


9 Hold the cabinet (front) block with your left hand as shown.

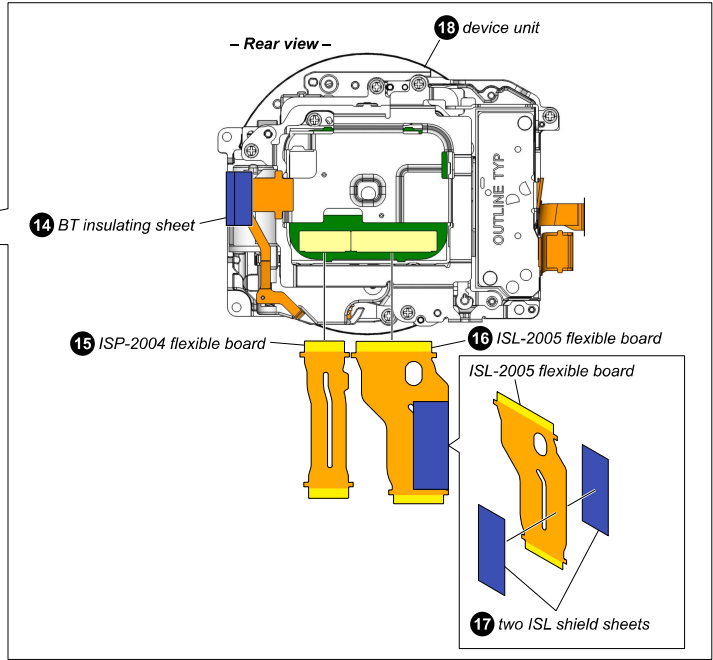


11 While applying force with the index finger of the right hand, press the mount part with the index finger of the left hand.

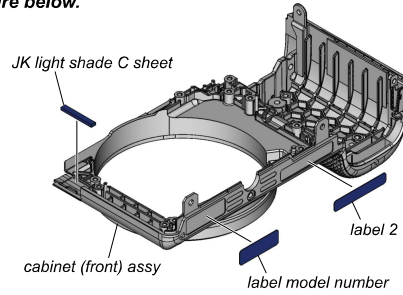




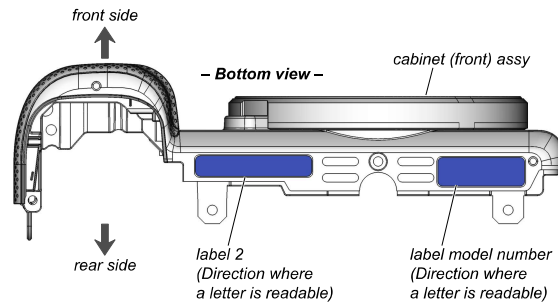
Note 2: Make sure that the ring GND plate is not removed.



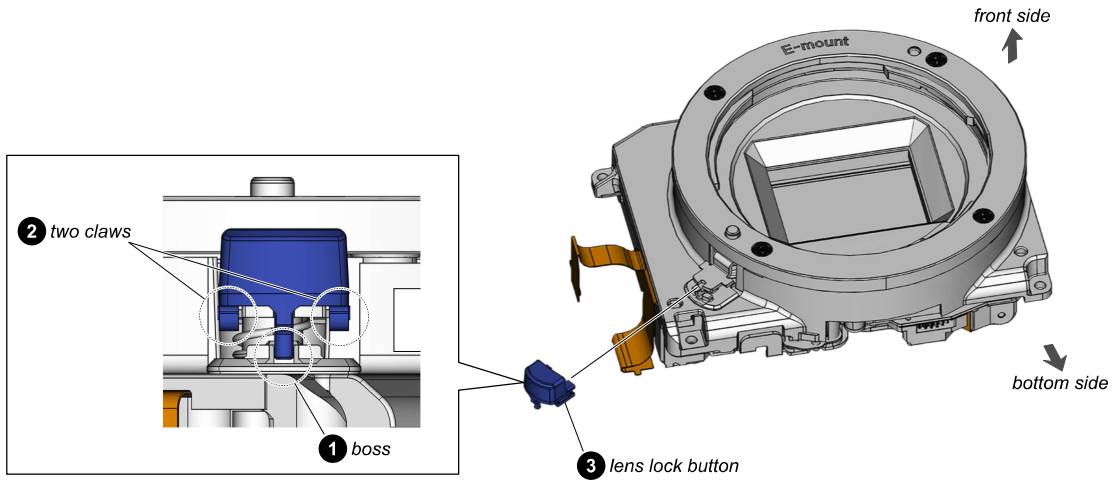
• The cabinet (front) block can be disassembled as shown in the figure below.



Note 3: When replace the cabinet (front) assy, remove the label model number and the label 2 from the old cabinet (front) assy and paste it on the new cabinet (front) assy. Paste each label in the same way as the old cabinet (rear) assy. If you have a label that is not pasted to the old cabinet (rear) assy, you do not need to paste it to the new cabinet (rear) assy.



34. LENS LOCK BUTTON





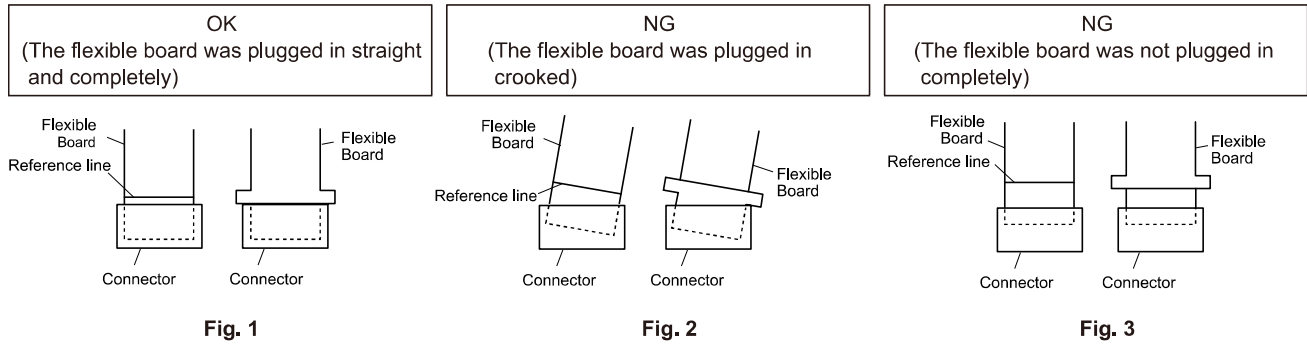
ASSEMBLY

OPERATION NOTES

Make sure that the conductive side of a flexible board does not have any stain or foreign materials.

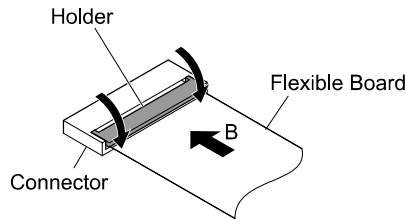
Do not touch the conductive side of flexible boards with bare hands.

Plug in a flexible board straight, fully into the connector until it reaches the end inside. (Fig. 1, Fig. 2, Fig. 3)

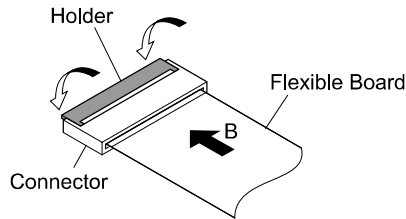


When closing the connector's holder, press it evenly while pushing a flexible board in direction B.

Type 1

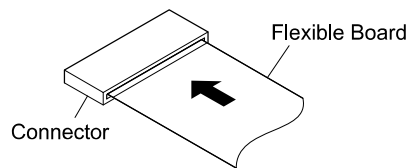


Type 2



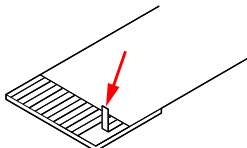
When installing the connector (without holder), plug in a flexible board straight until it stops.

Type 3



Plugged in straight and completely.

- Make sure that the flat cable and flexible board are not cracked or bent at the contact end.
- If the terminal is cracked or came off, replace it.



- Do not apply excessive force to the gilded flexible board.
- The proper way to disconnect a connector is to grab the connector instead of the wires. If you pull on the wires, they might be broken.

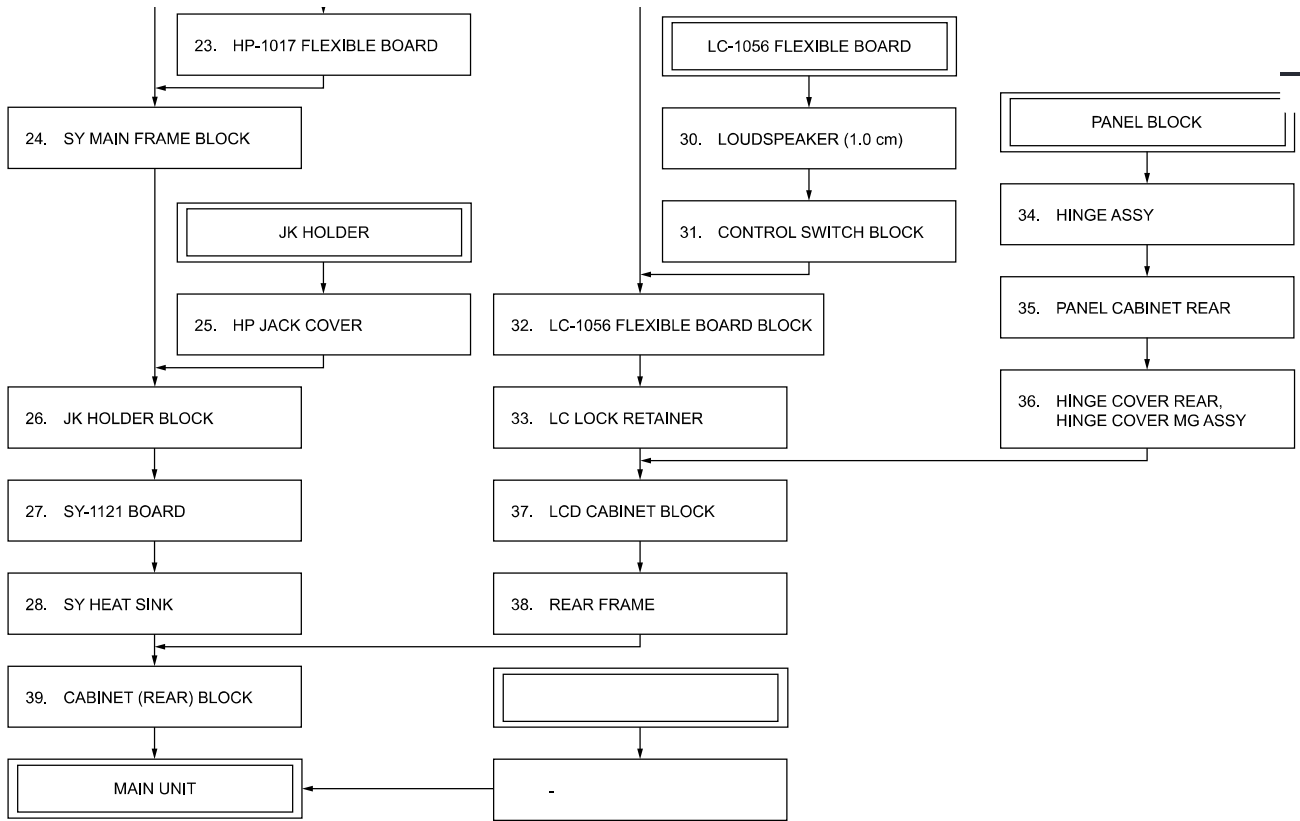
SERVICE TOOLS

Display	Use	Part No.
ADHESIVE (243)	ADHESIVE (243) 50ML BLU	760004201
G-85	Grease (G-85)	J6082626A

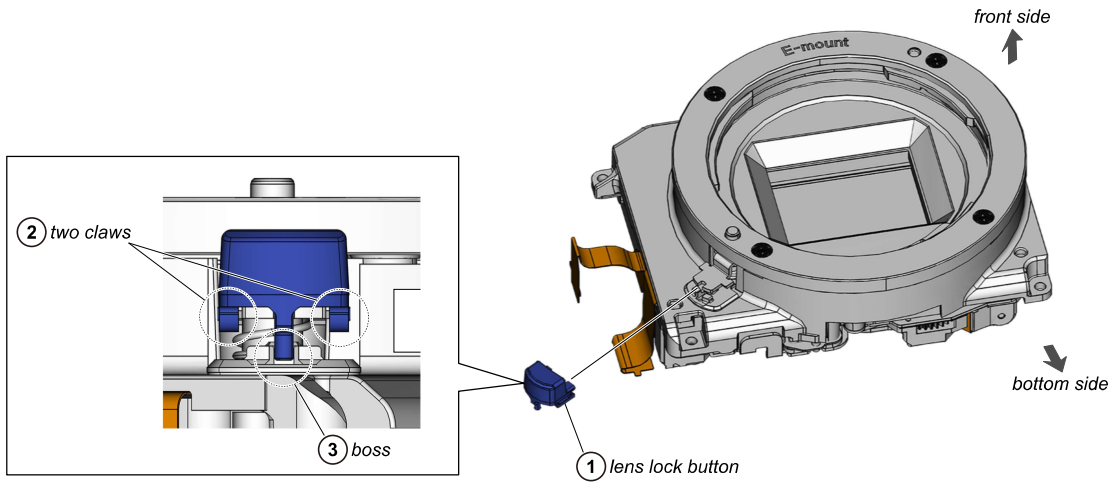
ASSEMBLY FLOW

This set can be assembled in the order shown below.

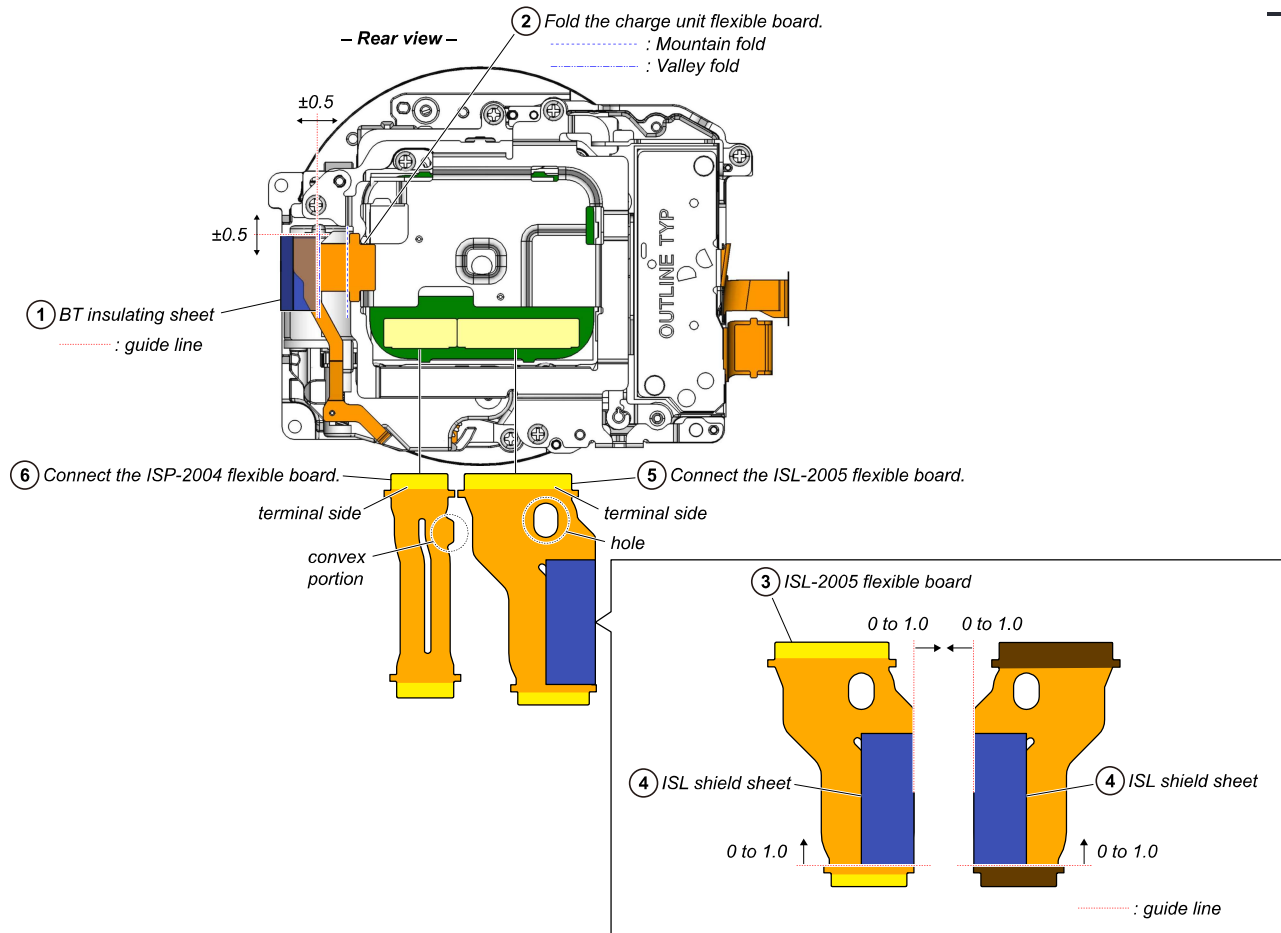
—



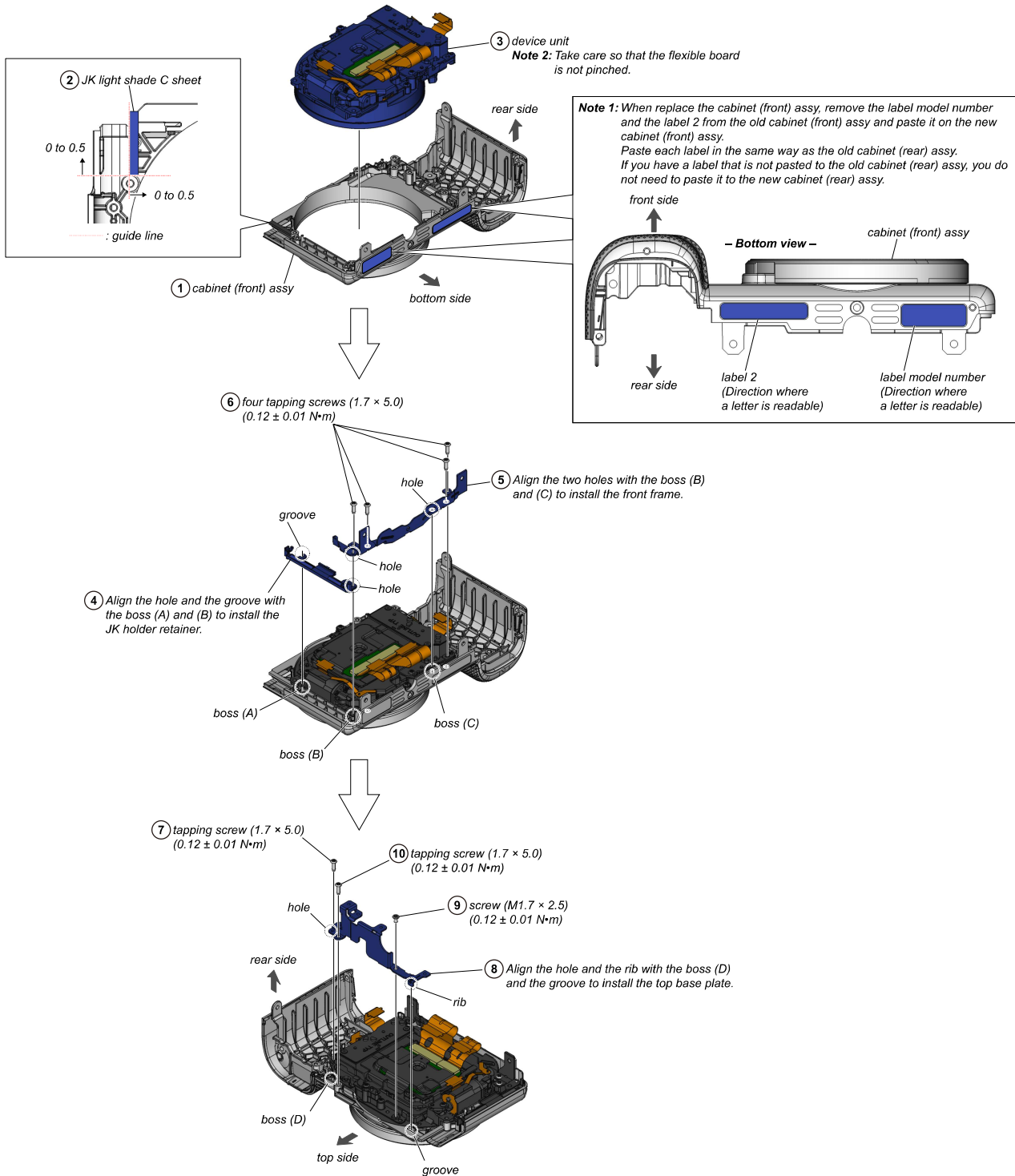
1. LENS LOCK BUTTON



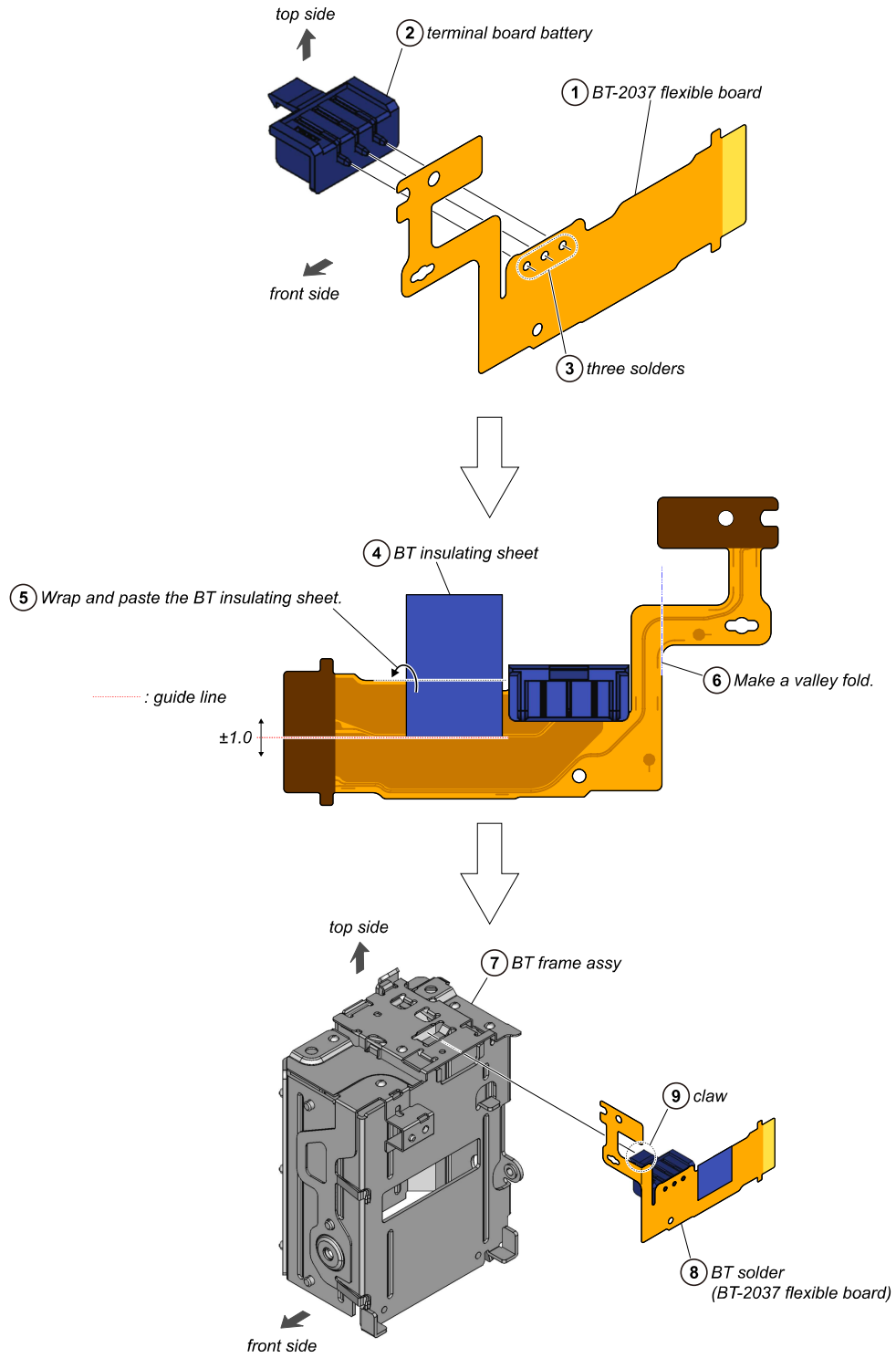
2. ISL-2005 FLEXIBLE BOARD, ISP-2004 FLEXIBLE BOARD



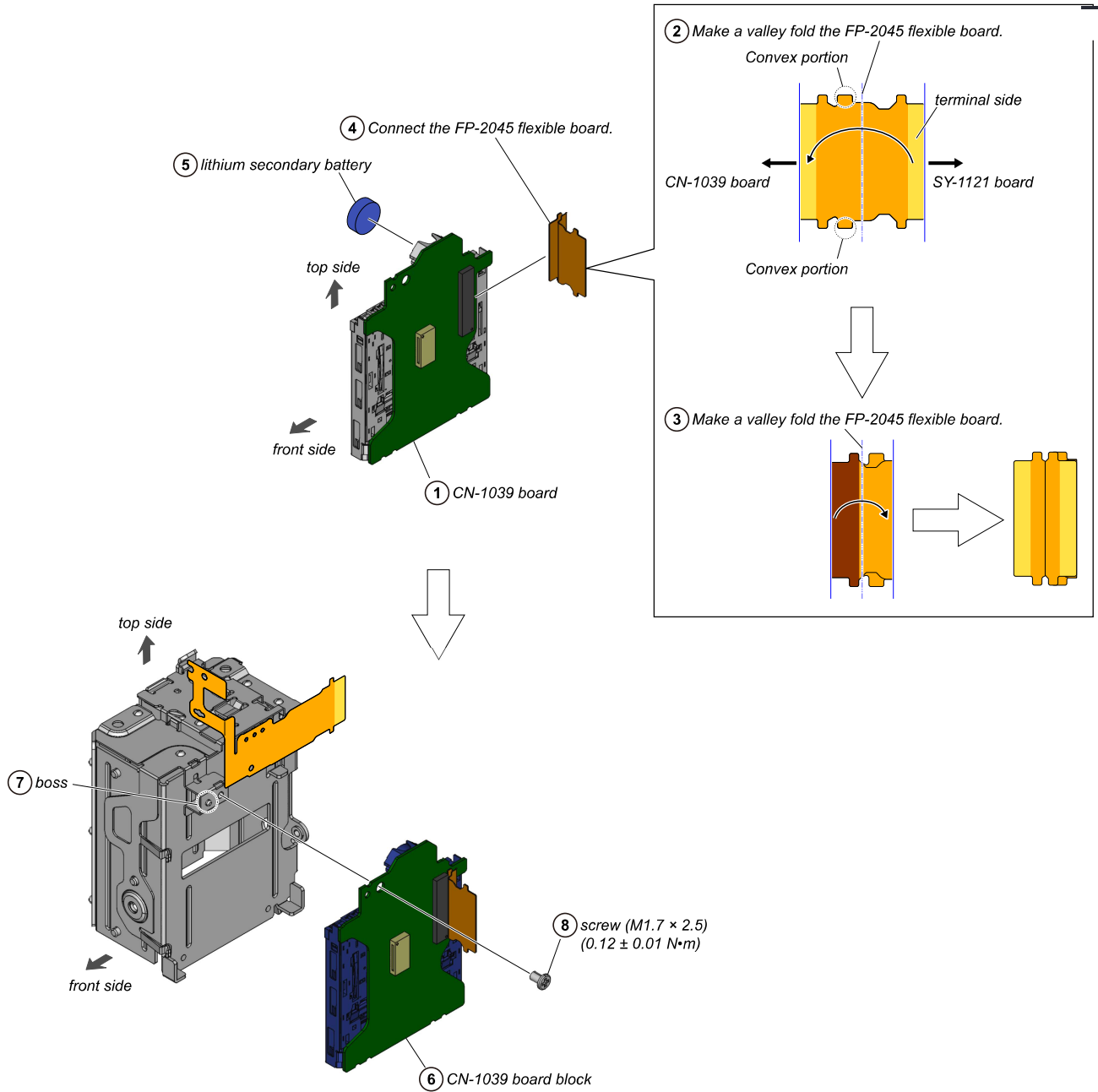
3. CABINET (FRONT) ASSY, DEVICE UNIT



4. BT SOLDER (BT-2037 FLEXIBLE BOARD)

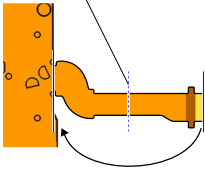


5. CN-1039 BOARD

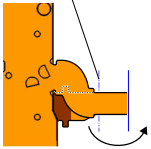


6. BT FRAME BLOCK

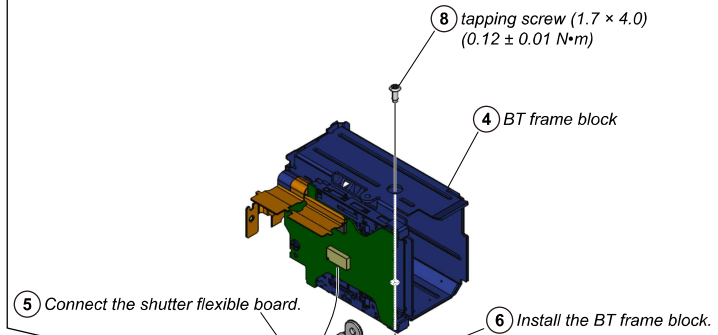
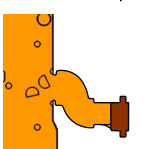
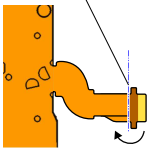
① Make a mountain fold the shutter flexible board.



② Make a valley fold the shutter flexible board.

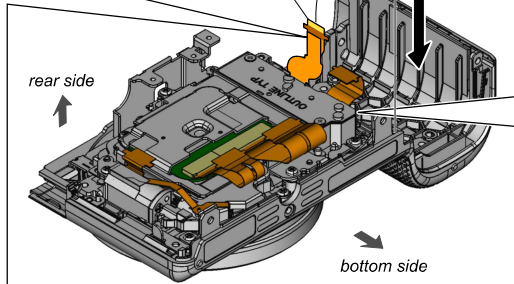


③ Make a valley fold the shutter flexible board.

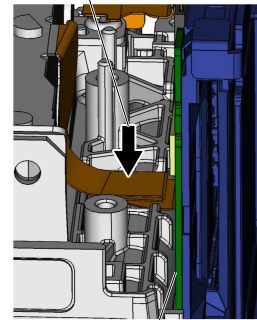


⑤ Connect the shutter flexible board.

⑥ Install the BT frame block.

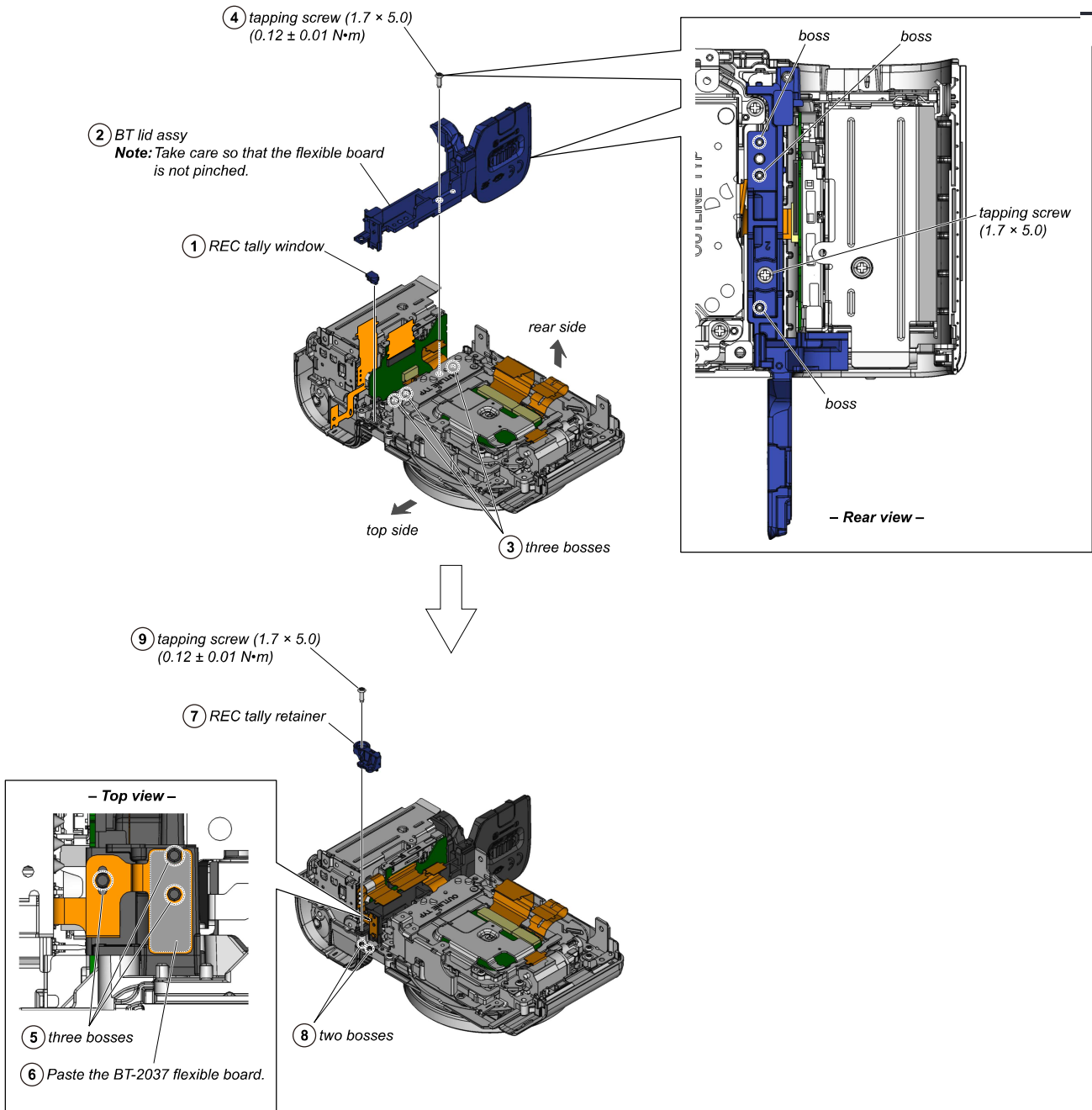


⑦ Push the shutter flexible board.

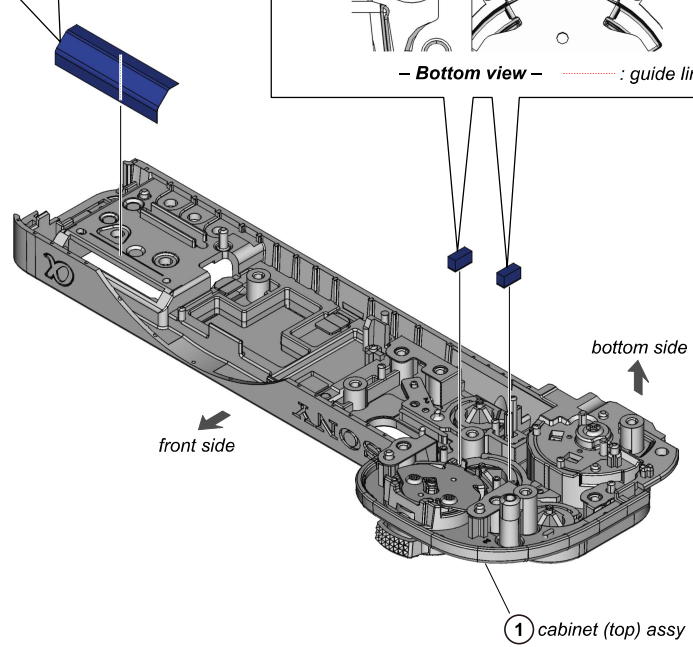
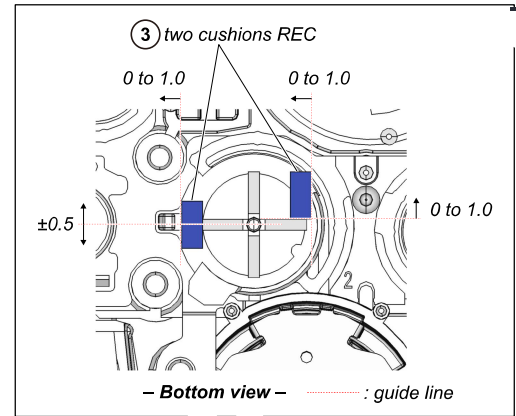
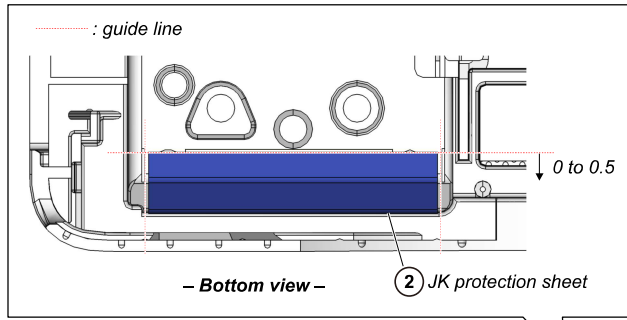


- Bottom view - CN-1039 board

7. BT LID ASSY



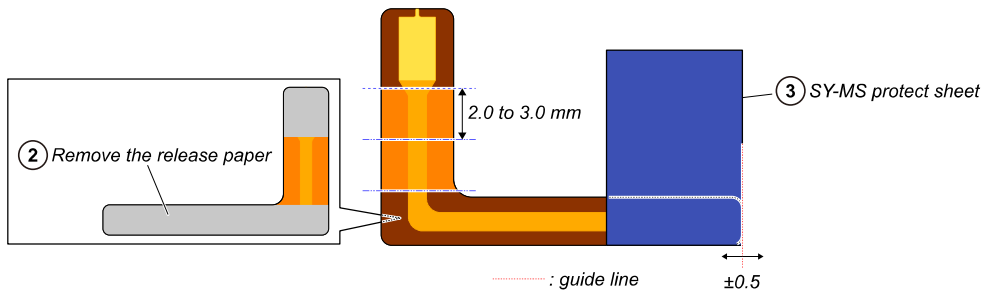
8. JK PROTECTION SHEET, CUSHION REC



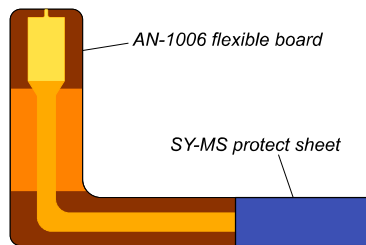
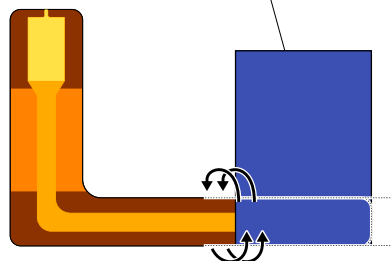
① Fold the AN-1006 flexible board.

..... : Mountain fold

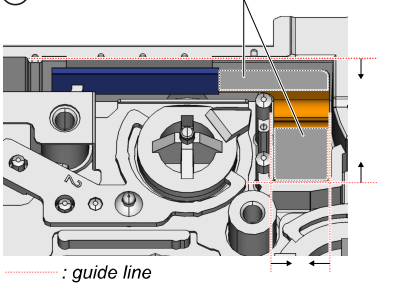
..... : Valley fold



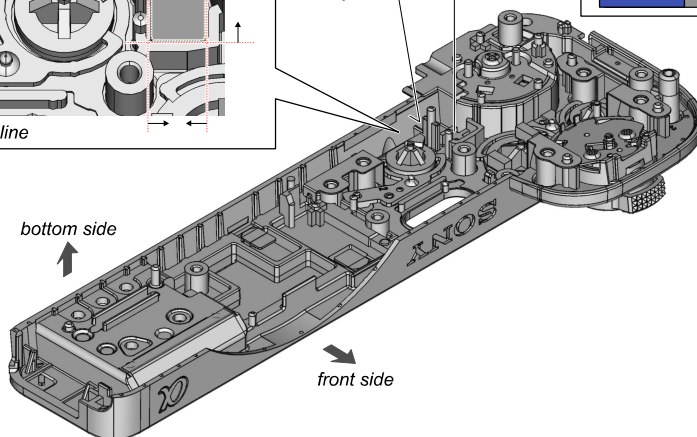
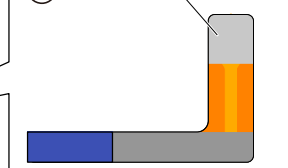
④ Fold the SY-MS protect sheet four times and paste it.



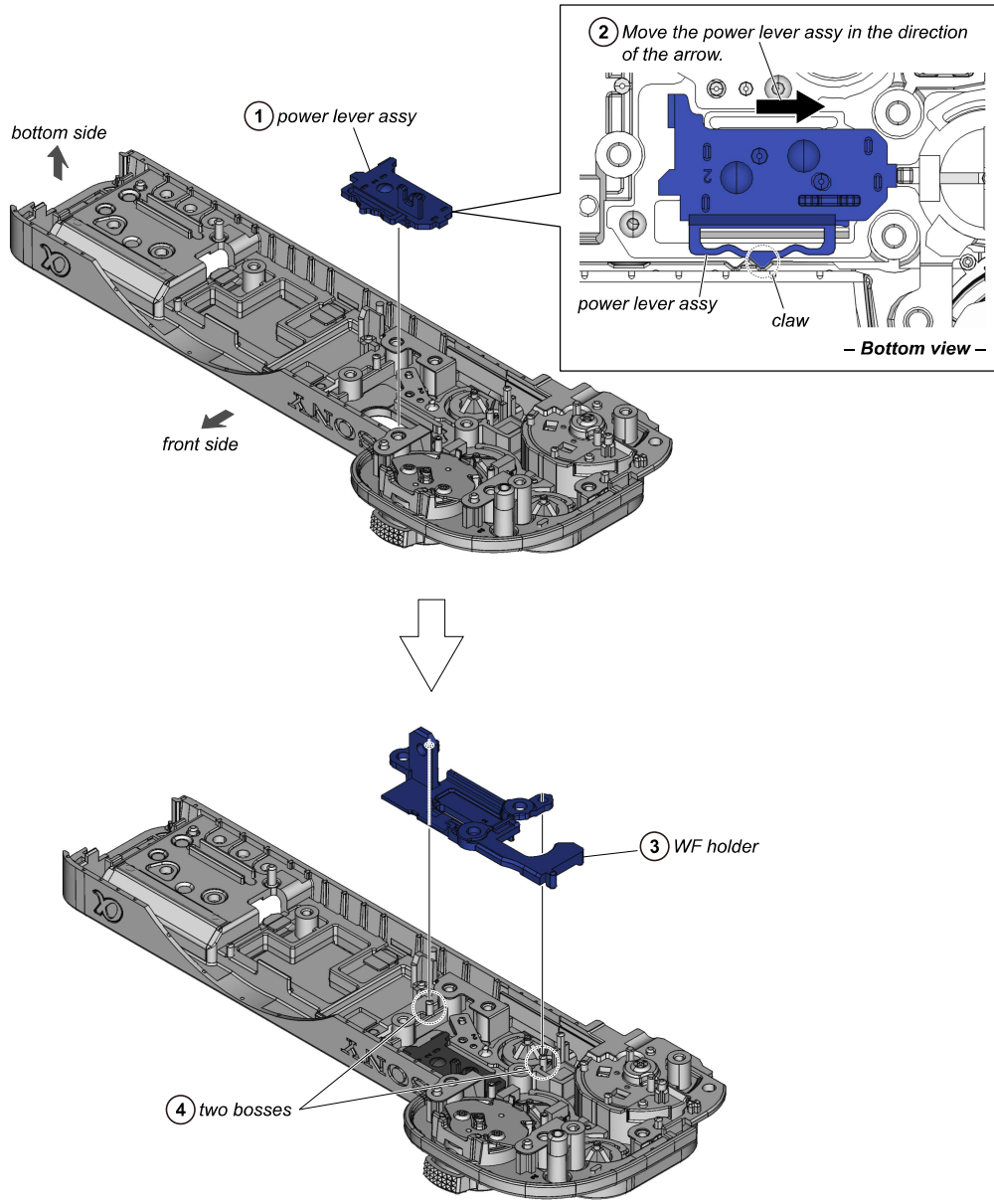
⑥ Paste the AN-1006 flexible board.

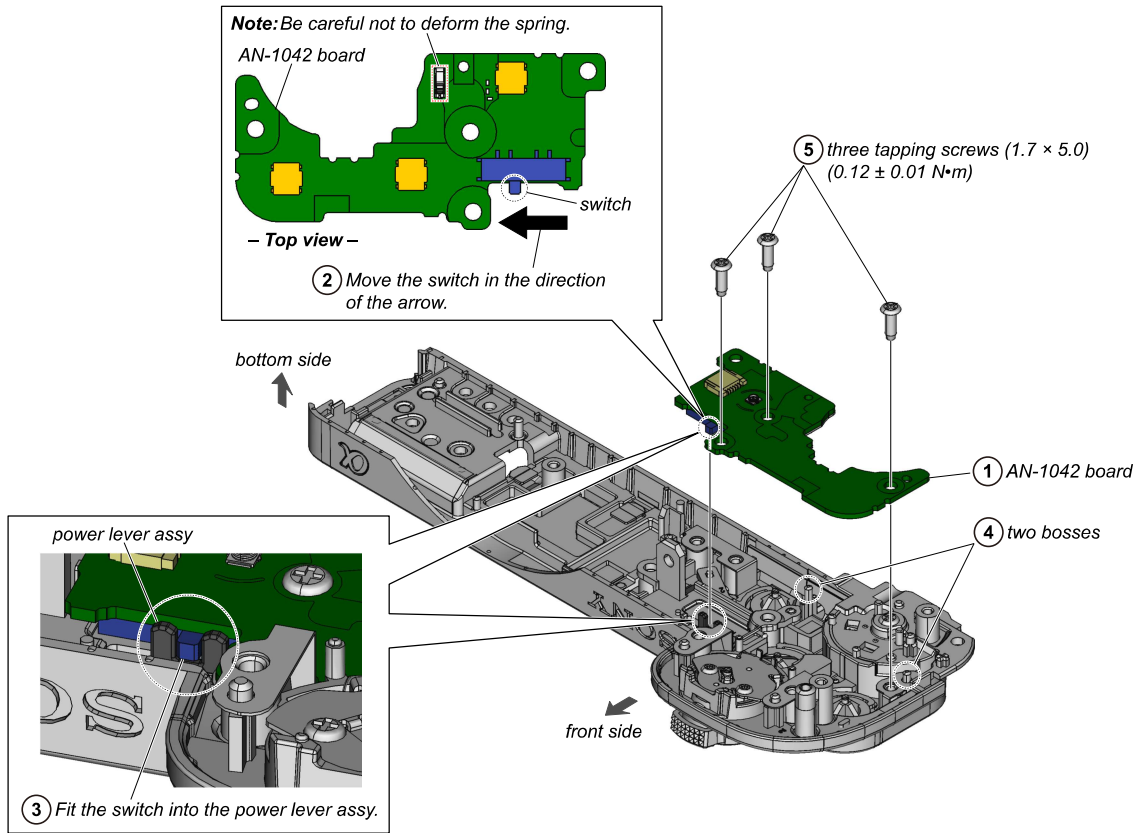


⑤ Remove the release paper

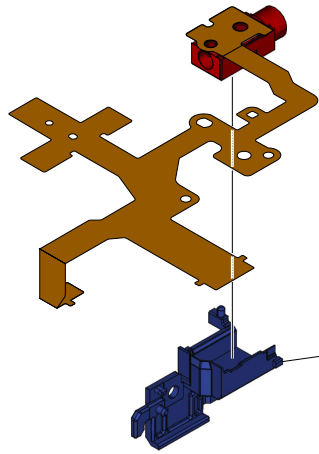
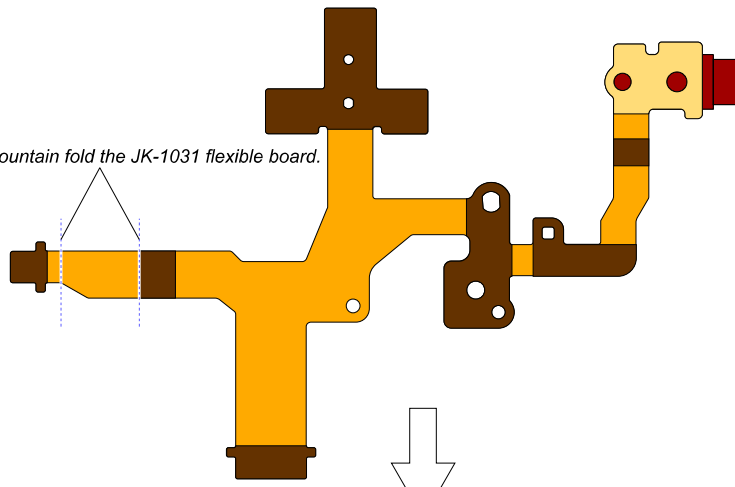


10. POWER LEVER ASSY

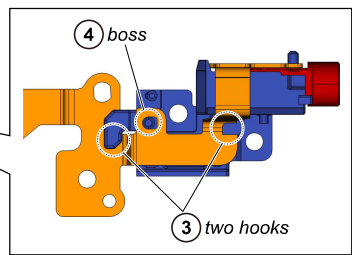
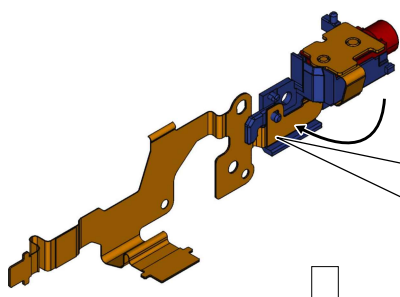




① Make a mountain fold the JK-1031 flexible board.

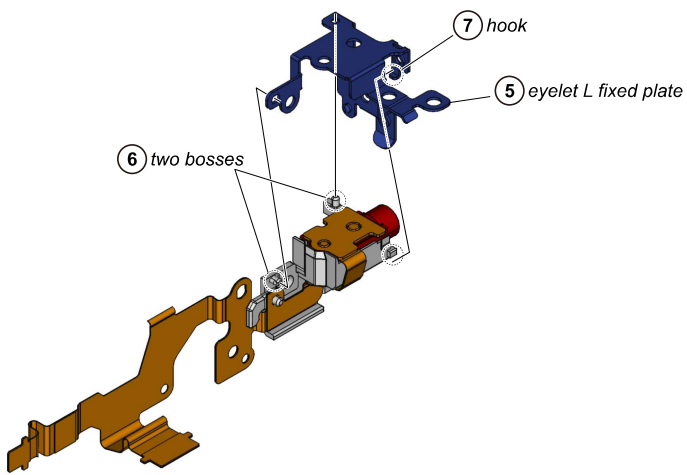


② MIC jack holder



④ boss

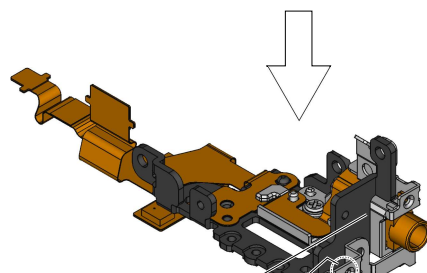
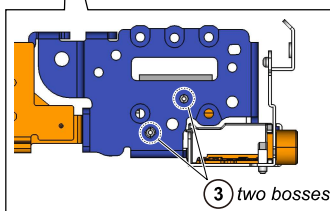
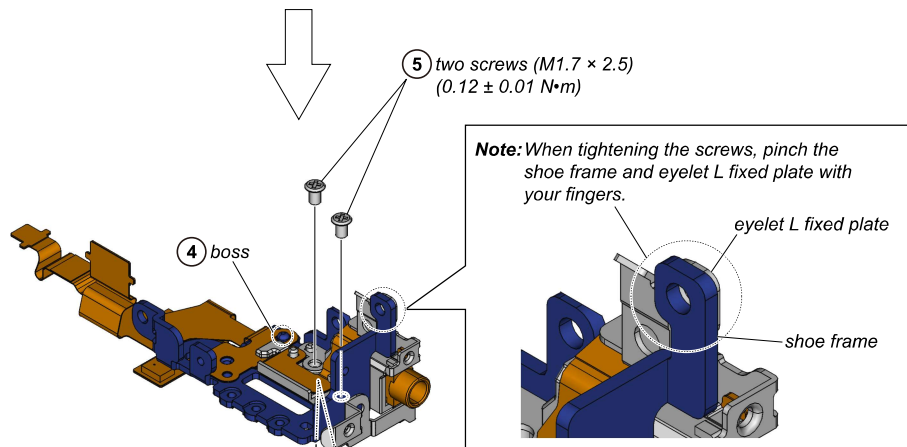
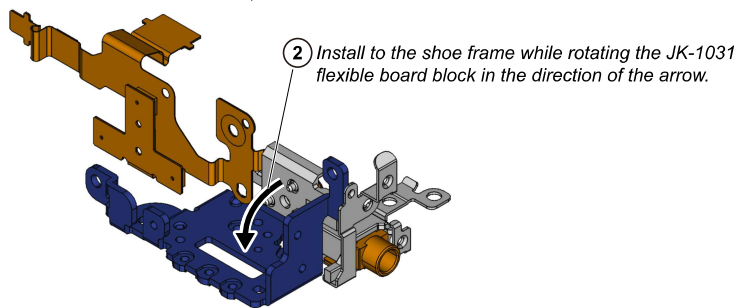
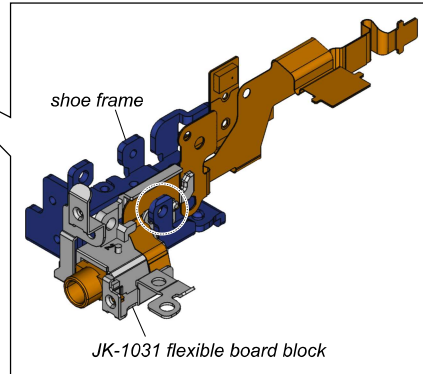
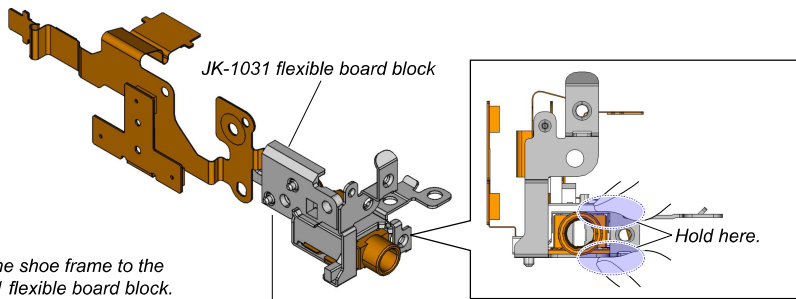
③ two hooks

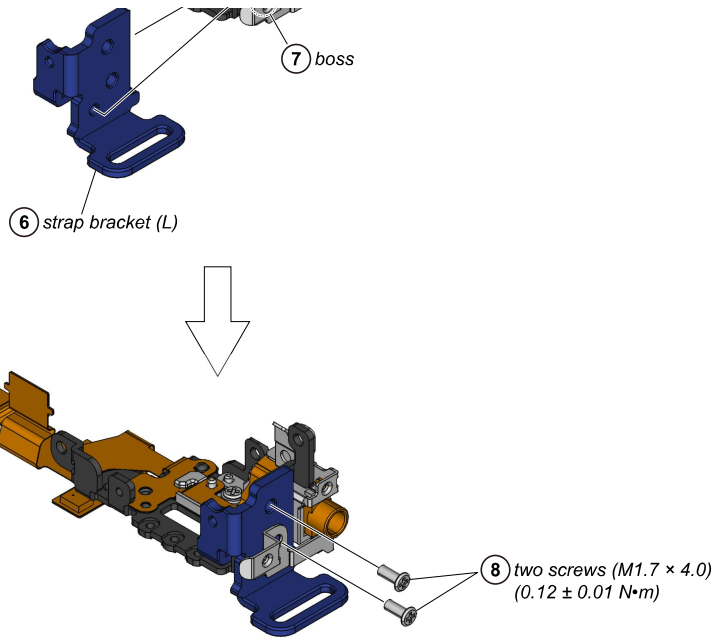


⑥ two bosses

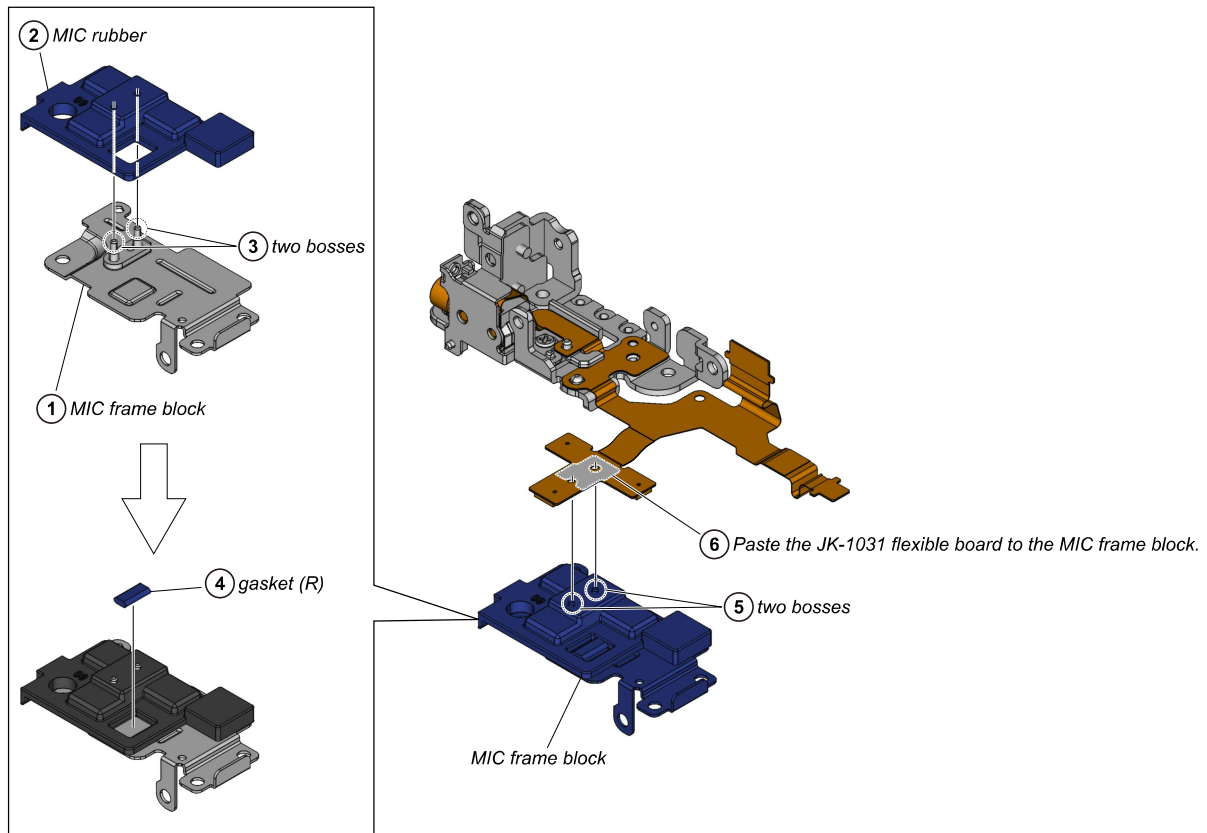
⑦ hook

⑤ eyelet L fixed plate

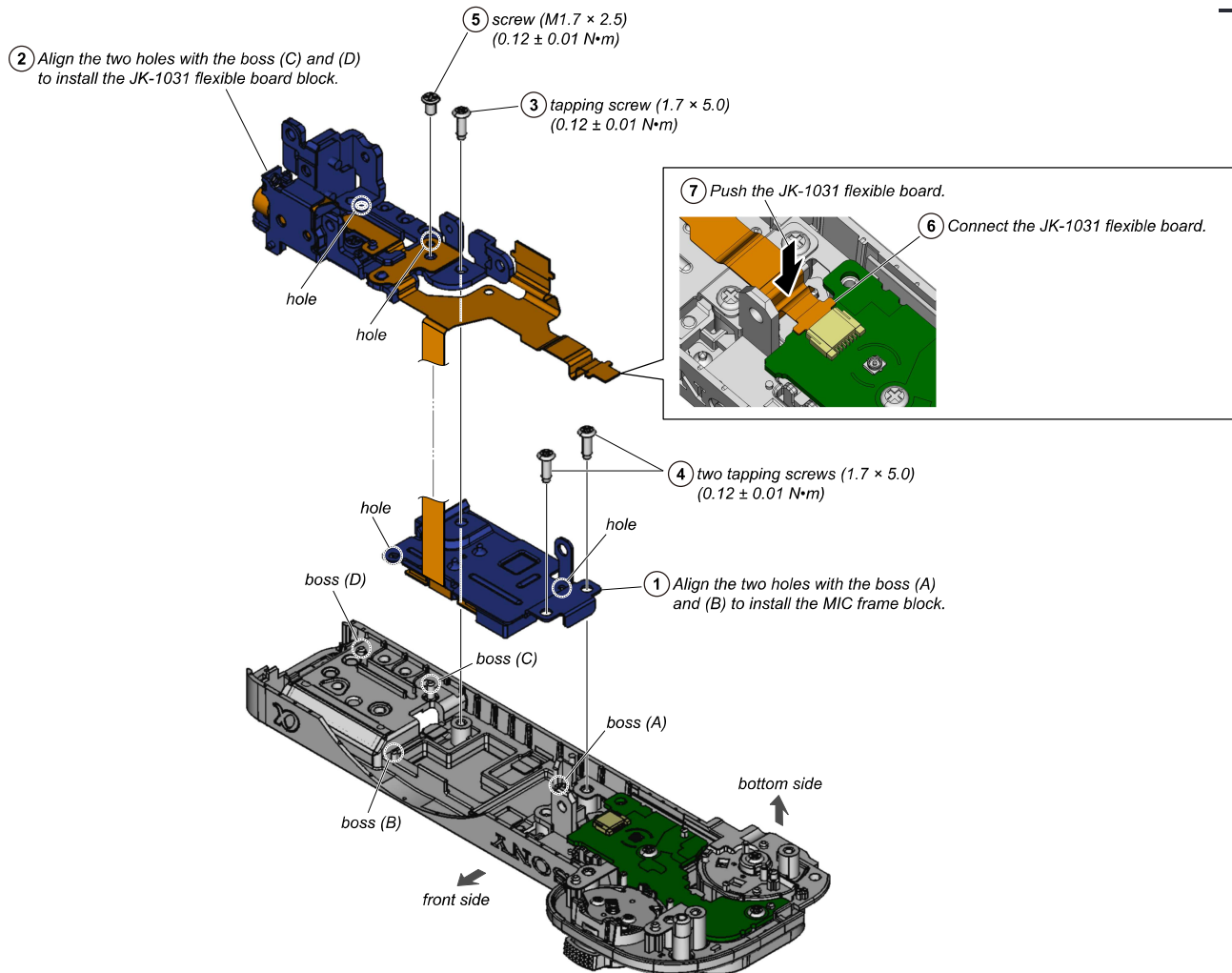




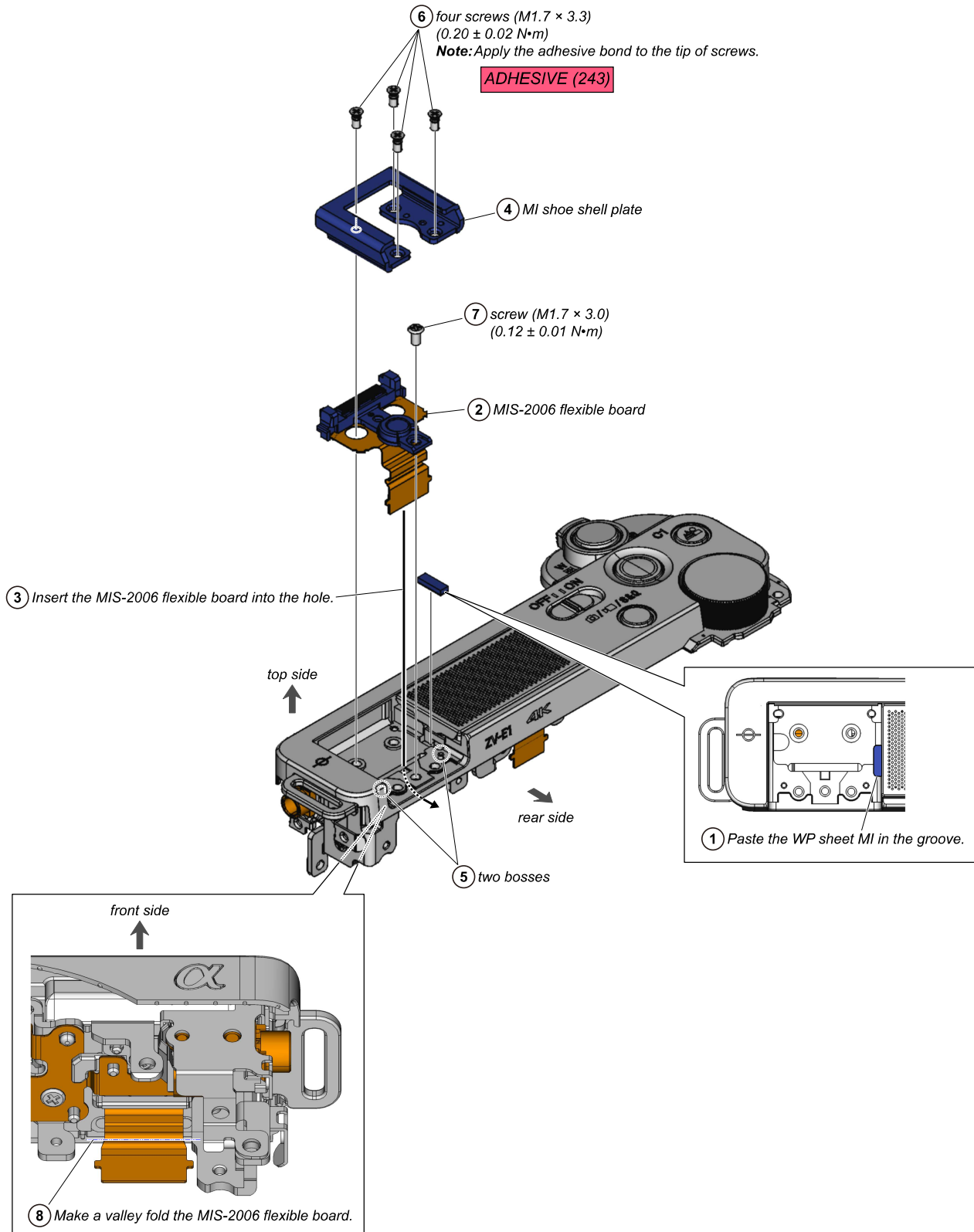
14. MIC FRAME BLOCK



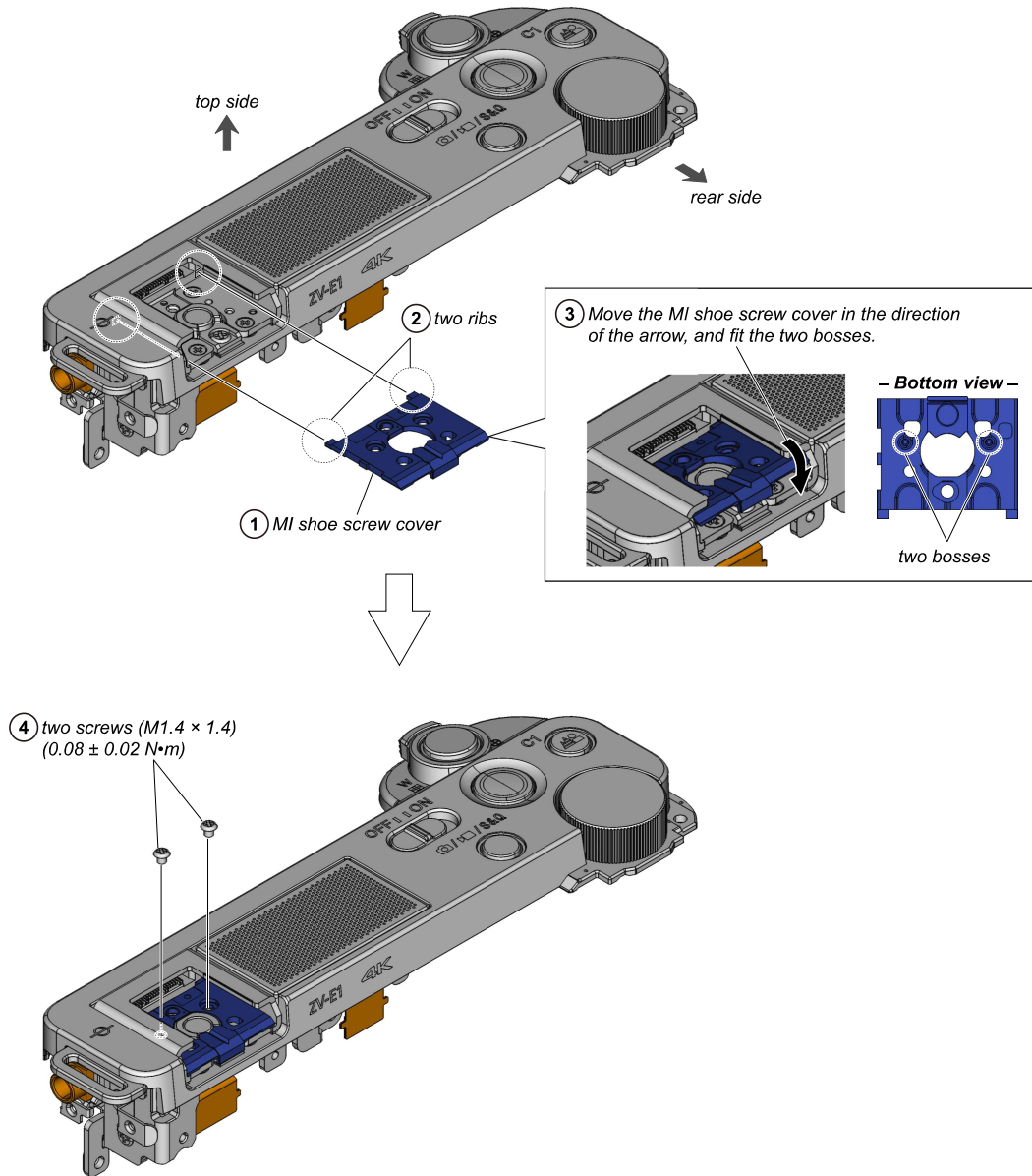
15. JK-1031 FLEXIBLE BOARD BLOCK



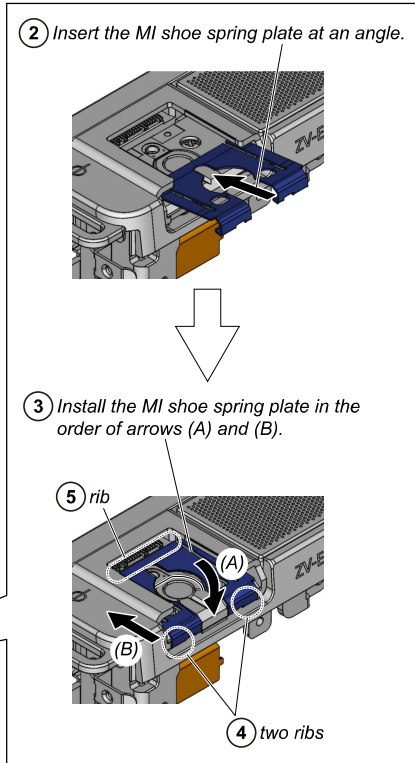
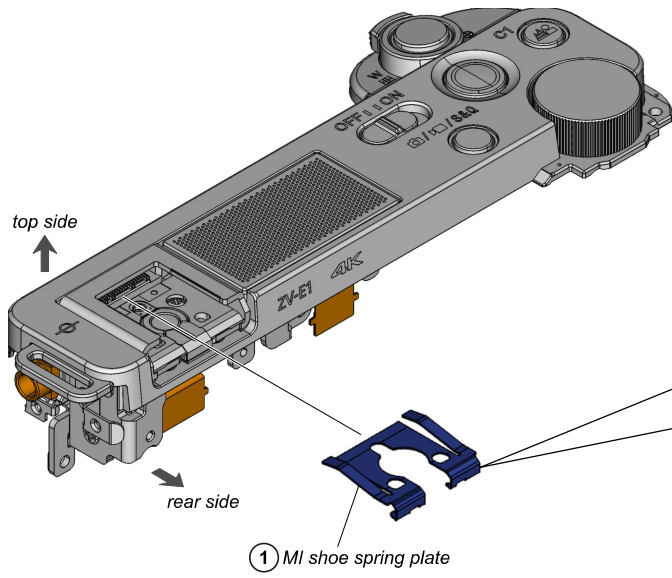
16. MIS-2006 FLEXIBLE BOARD



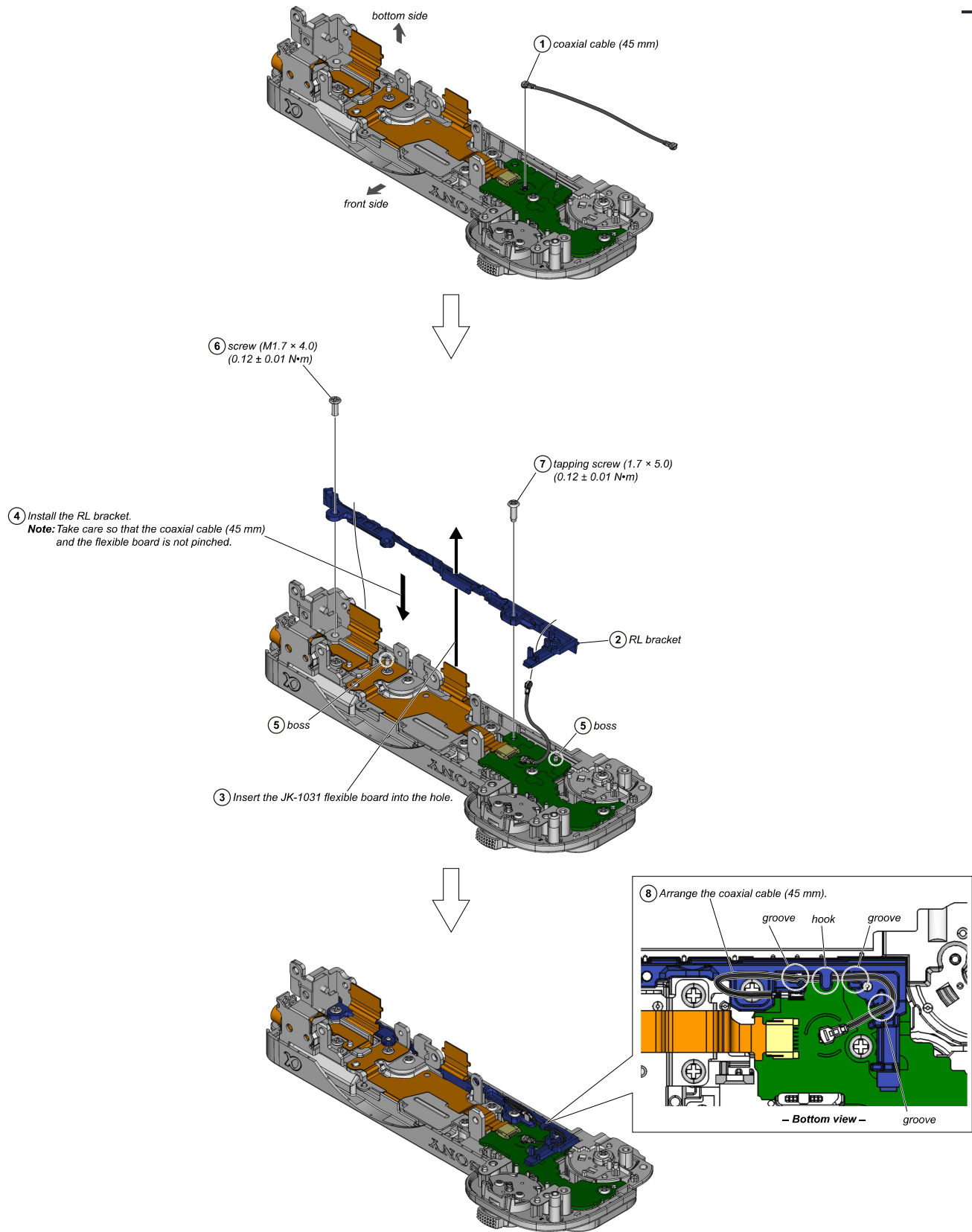
17. MI SHOE SCREW COVER



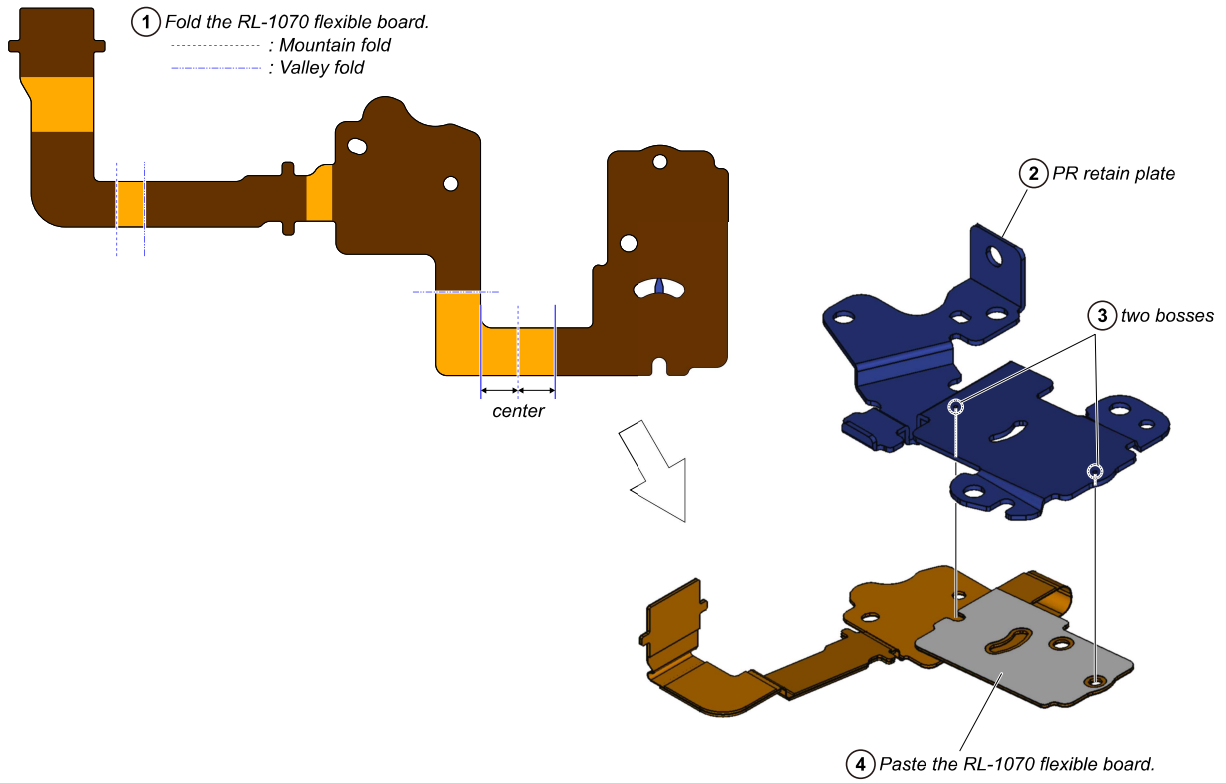
18. MI SHOE SPRING PLATE



19. COAXIAL CABLE (45 mm)

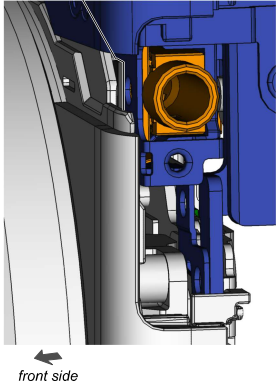


20. RL-1070 FLEXIBLE BOARD

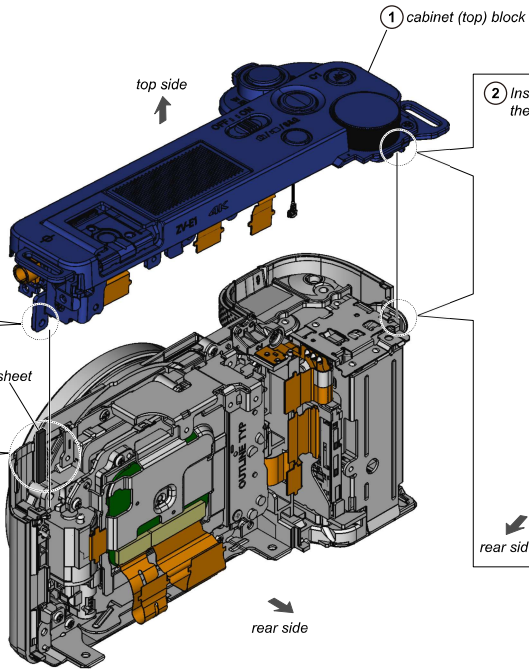


③ Install the cabinet (top) block halfway so as not to crush the JK light shade C sheet.

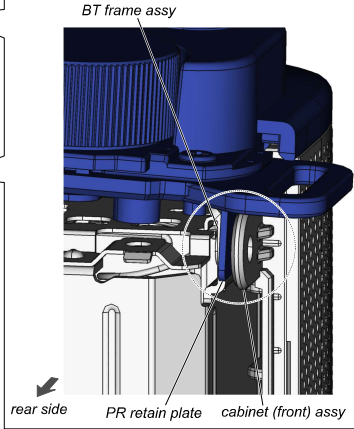
JK light shade C sheet



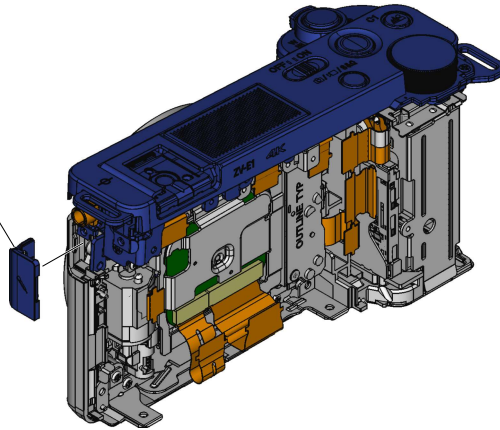
JK light shade C sheet



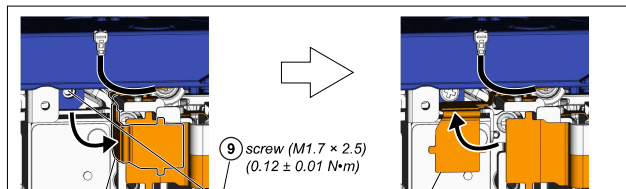
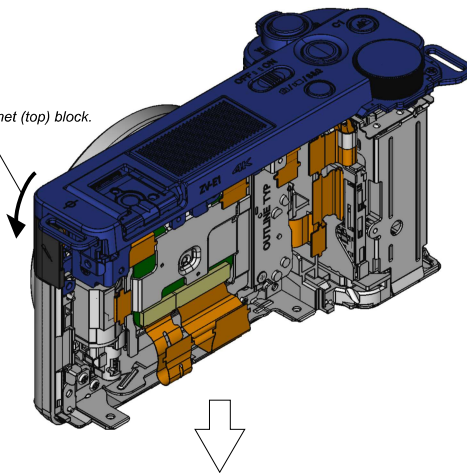
② Insert the PR retain plate in the gap between the cabinet (front) assy and the BT frame assy.



④ MIC jack cover



⑤ Completely install the cabinet (top) block.

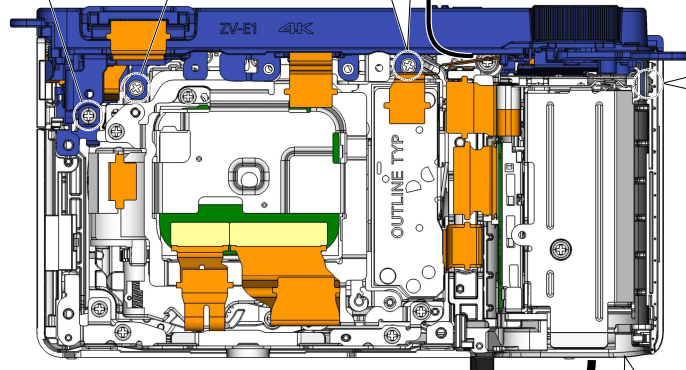


⑥ tapping screw (1.7 × 5.0)
(0.12 ± 0.01 N·m)

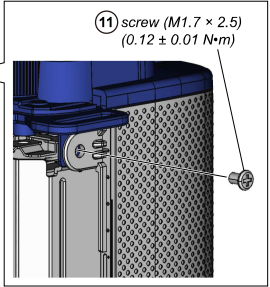
⑦ screw (M1.7 × 2.5)
(0.12 ± 0.01 N·m)

⑧ Arrange the RL-1070 flexible board in the gaps.

⑩ Return the RL-1070 flexible board to its original position.

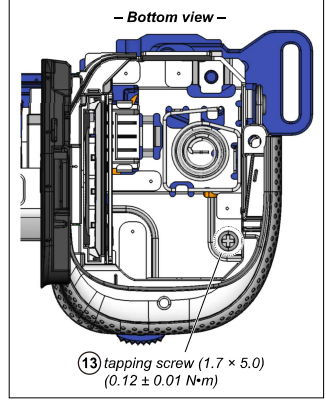


– Rear view –



⑪ screw (M1.7 × 2.5)
(0.12 ± 0.01 N·m)

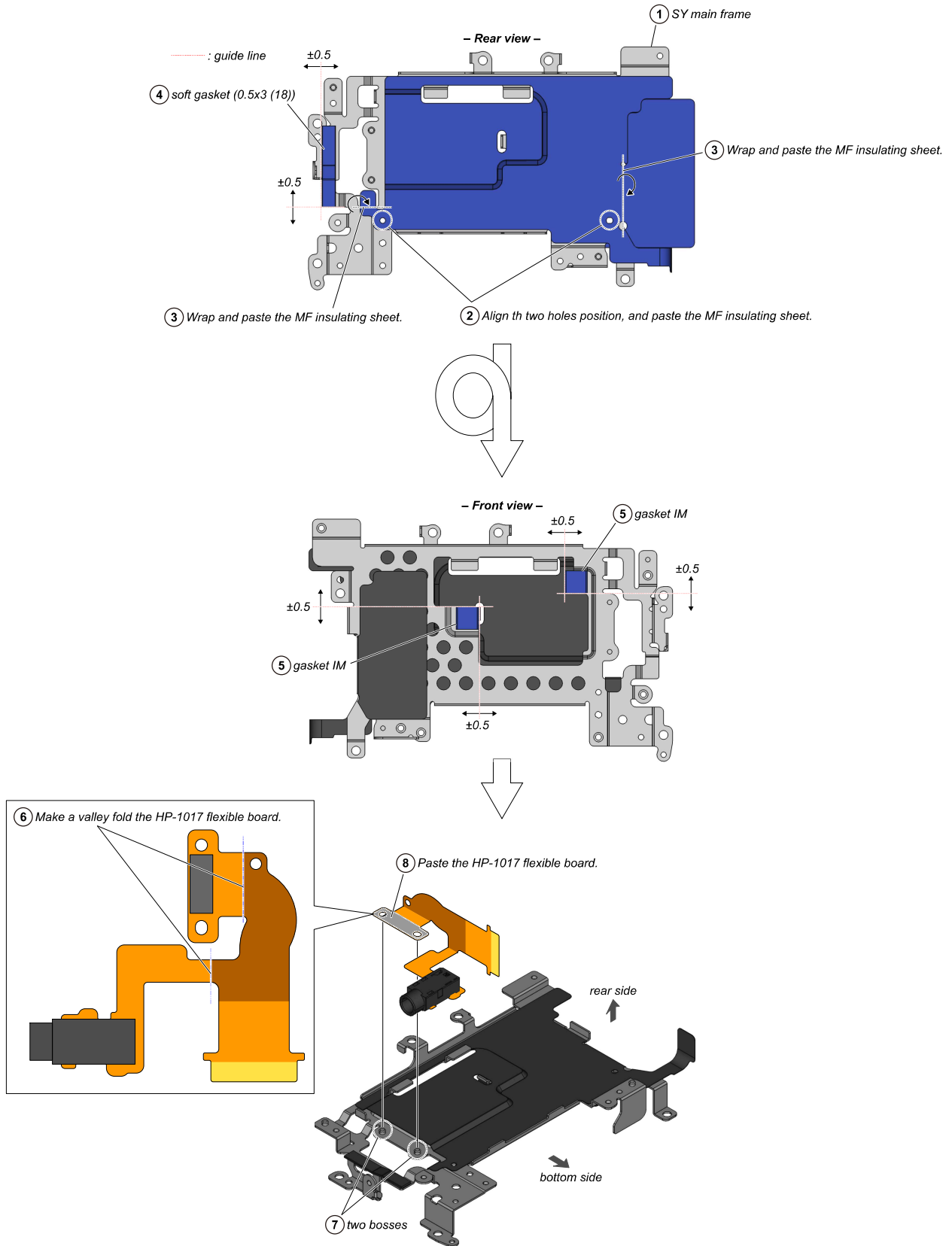
⑫ Open the battery lid.



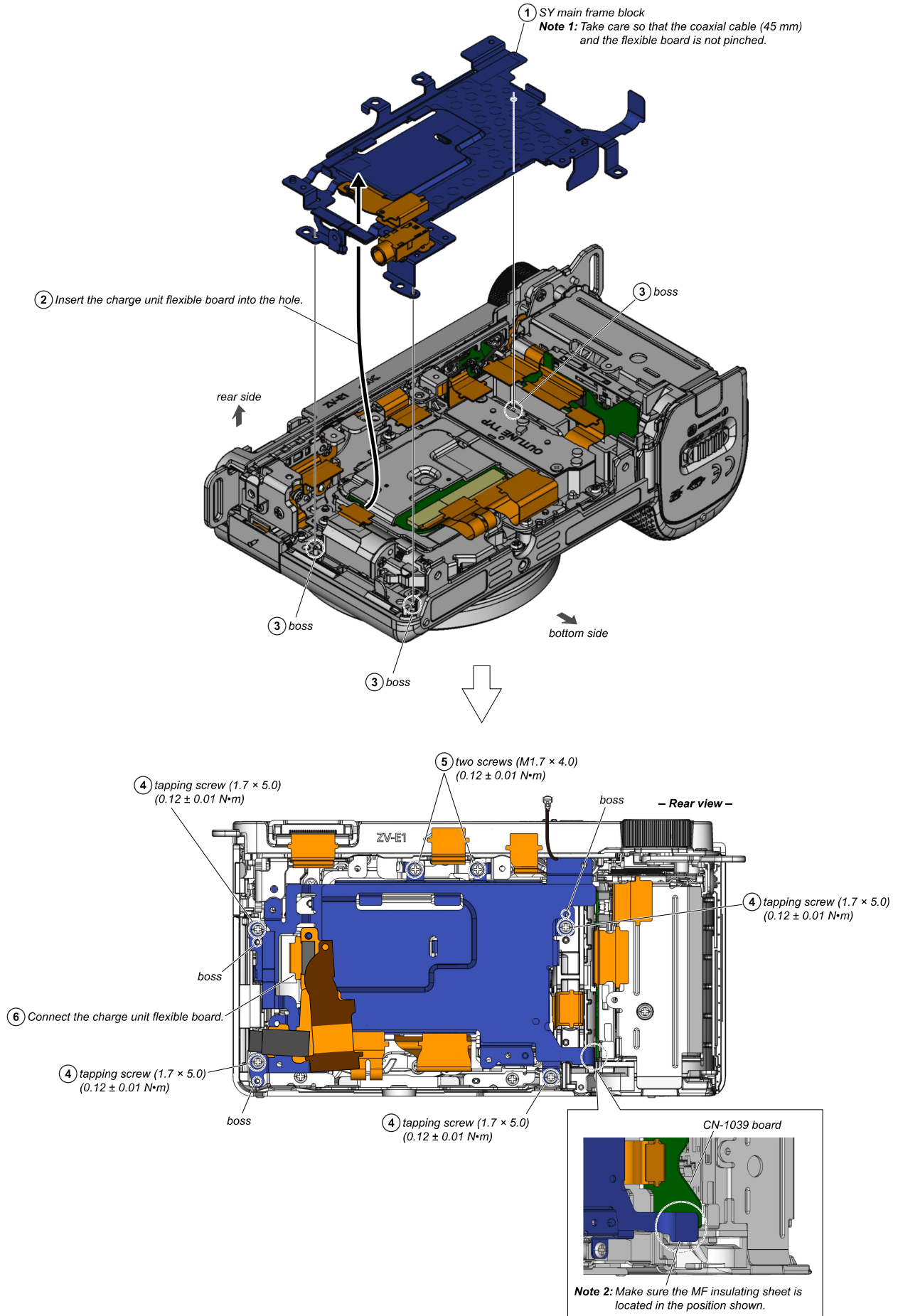
– Bottom view –

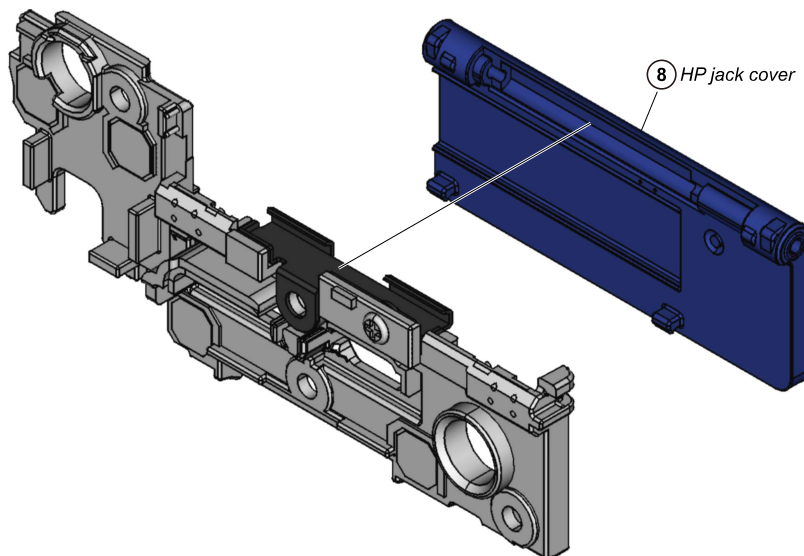
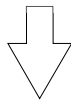
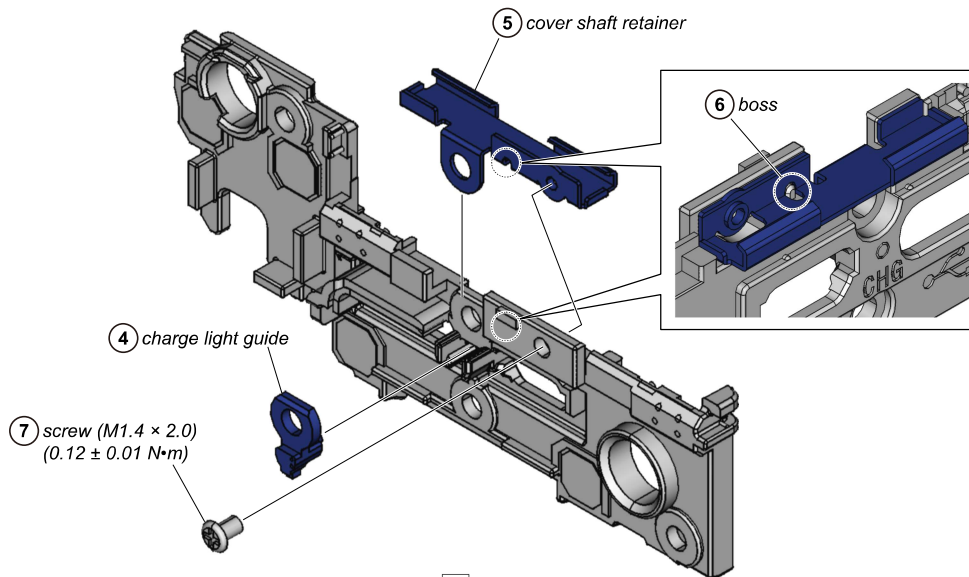
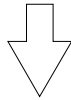
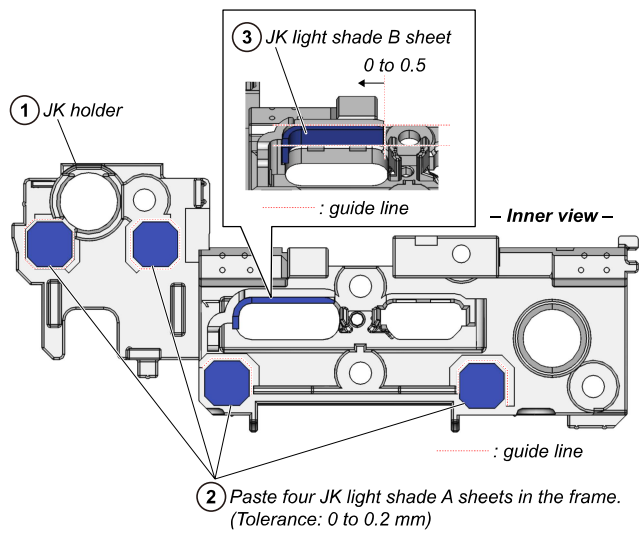
⑬ tapping screw (1.7 × 5.0)
(0.12 ± 0.01 N·m)

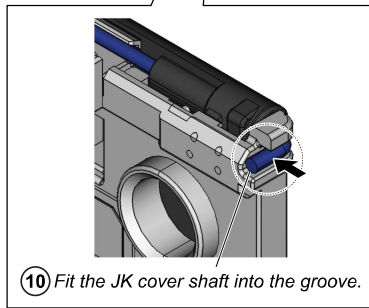
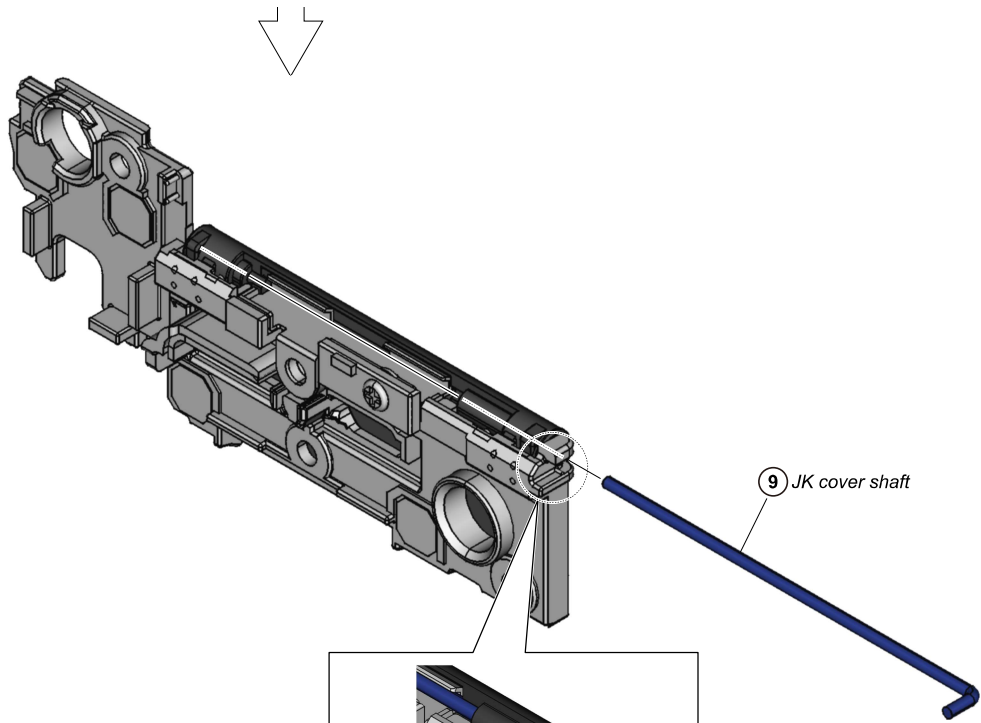
23. HP-1017 FLEXIBLE BOARD

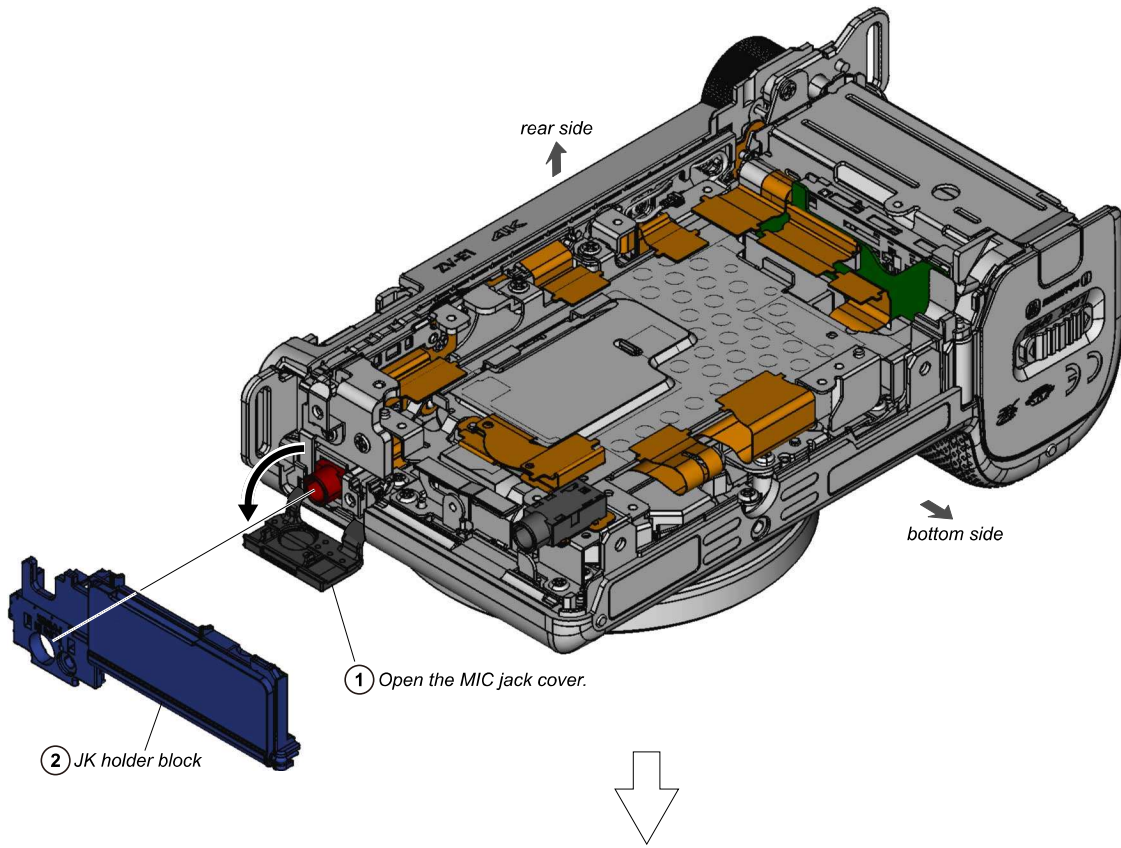


24. SY MAIN FRAME BLOCK

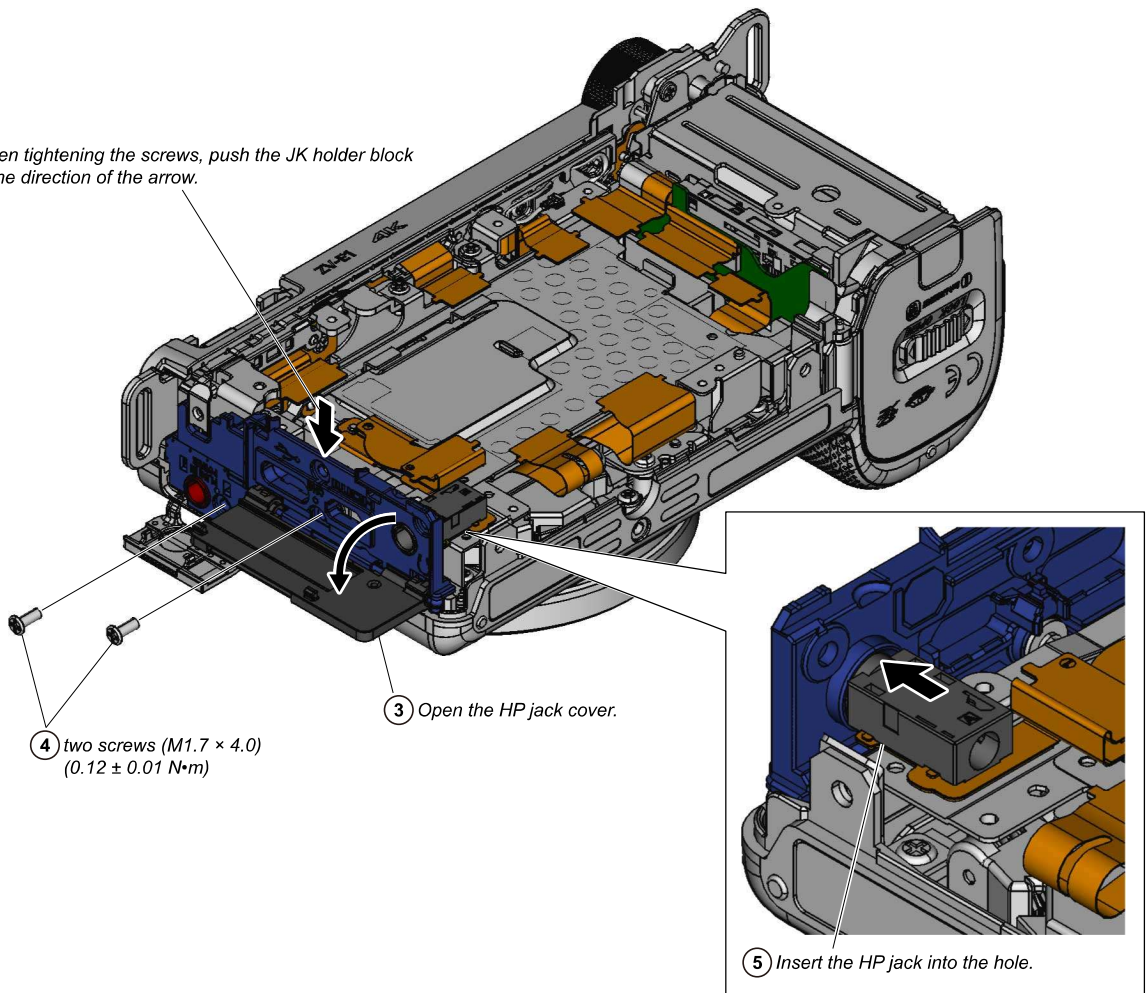




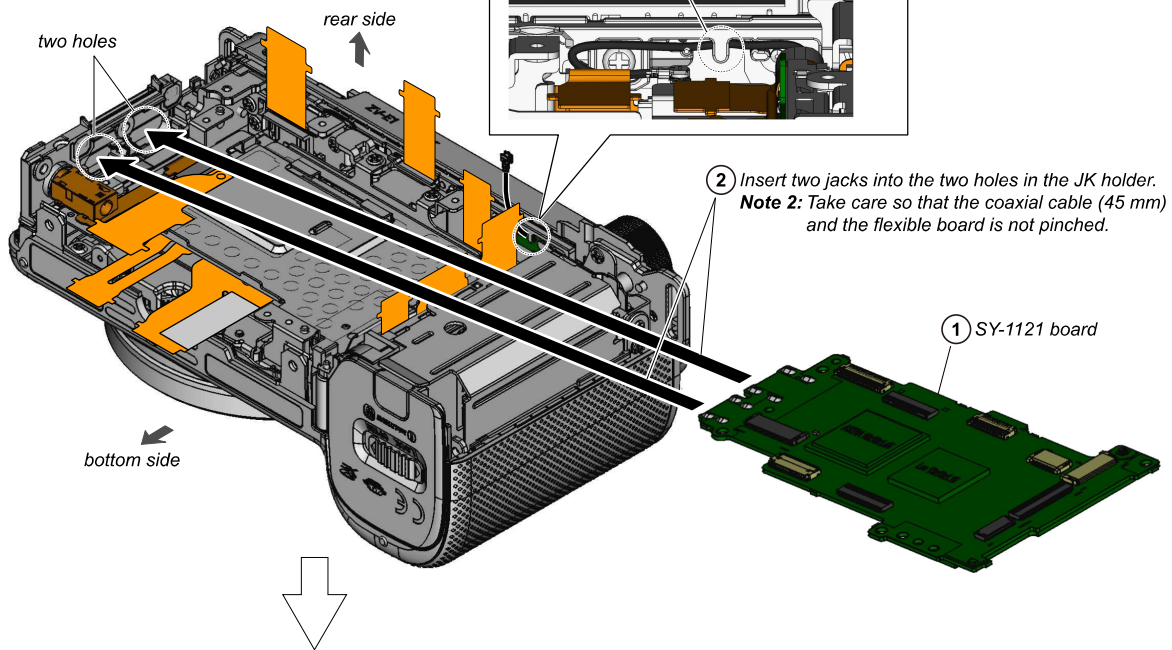
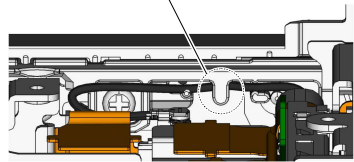




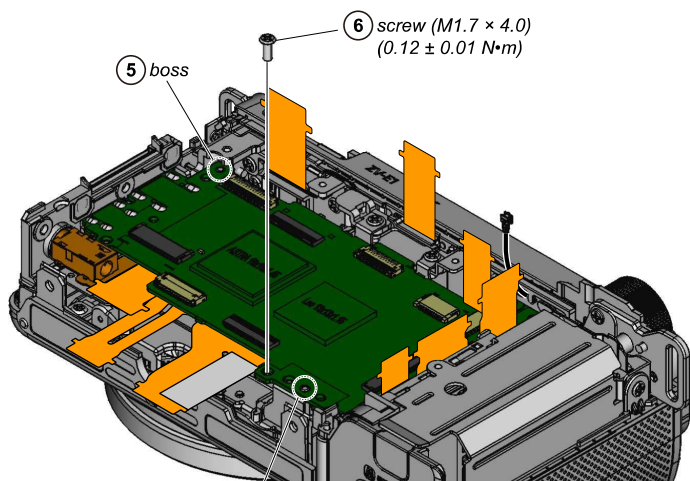
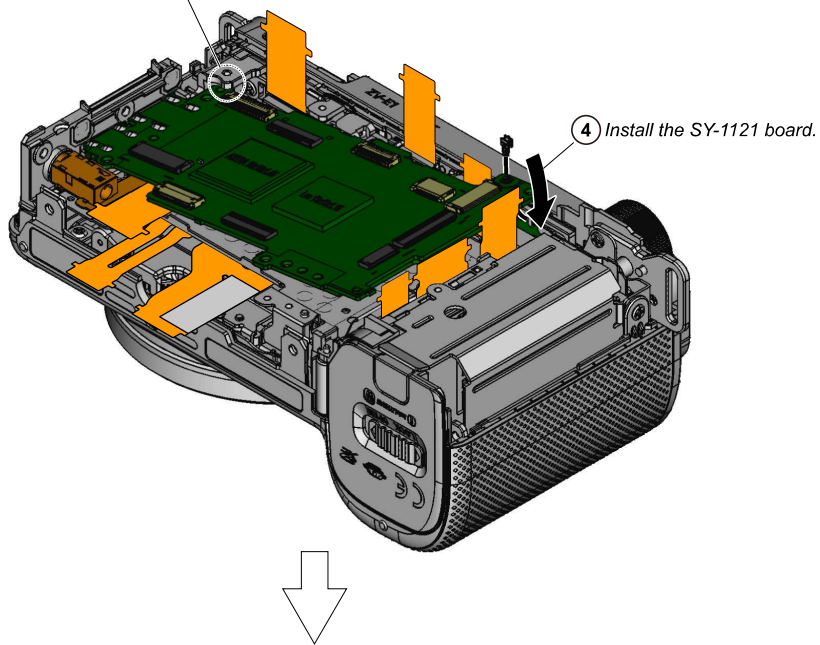
Note: When tightening the screws, push the JK holder block in the direction of the arrow.

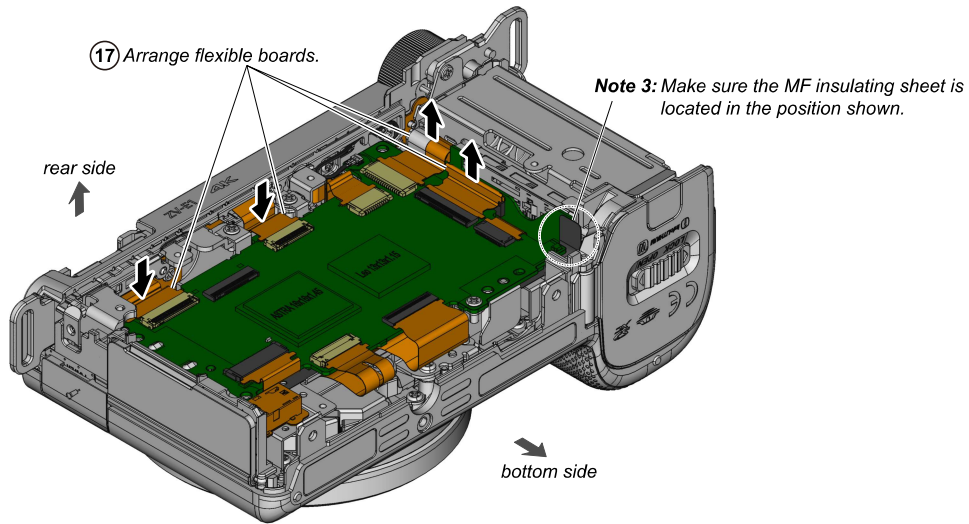
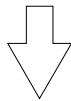
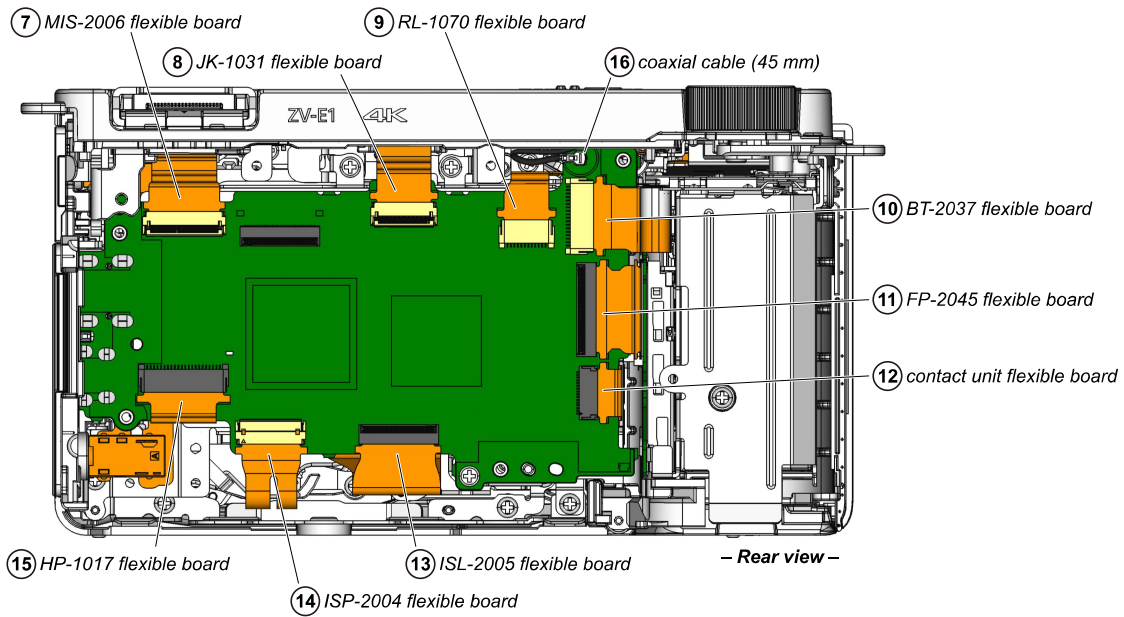
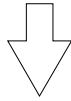
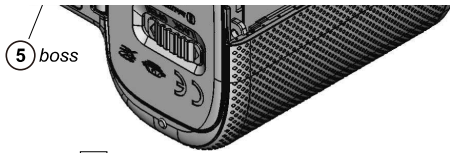


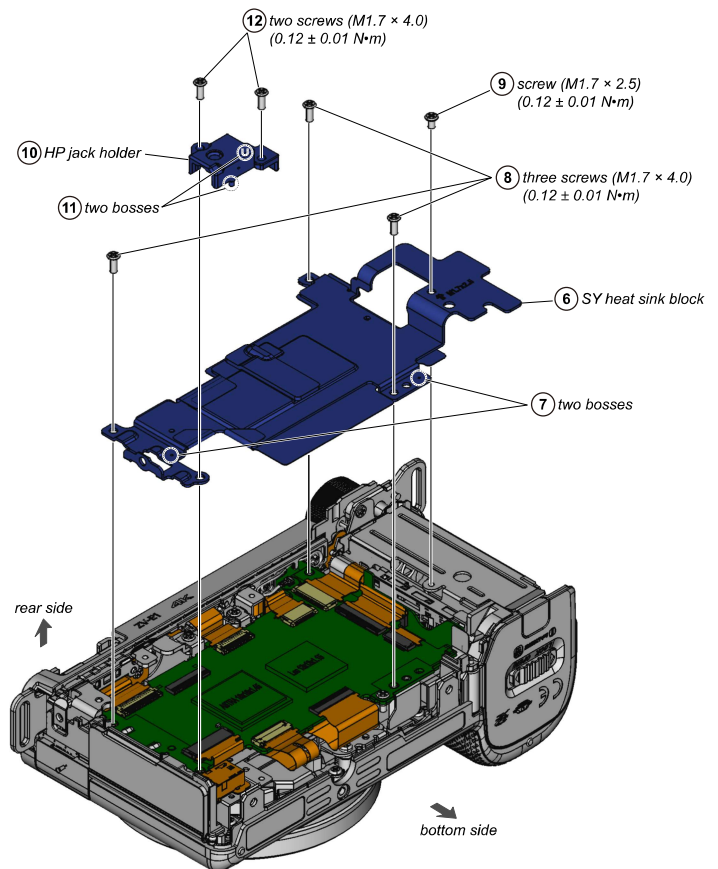
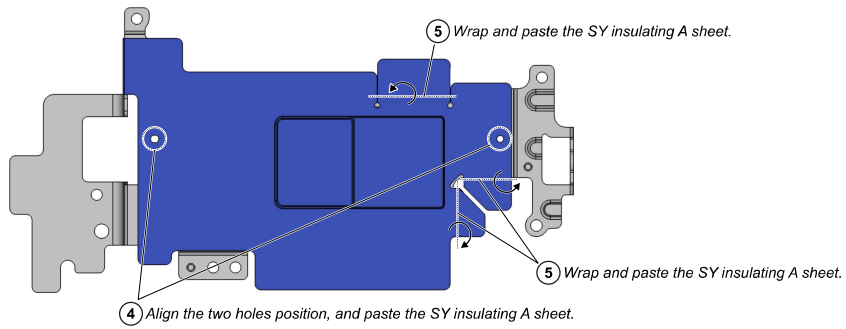
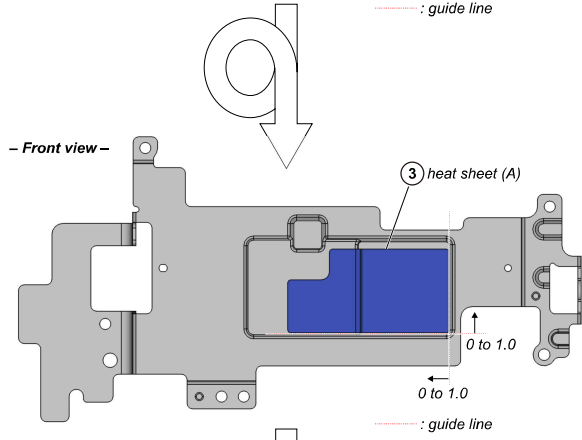
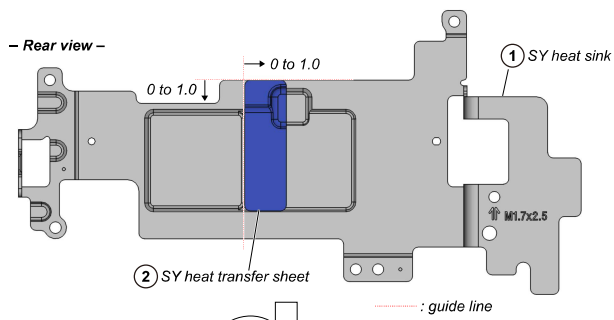
Note 1: Make sure the coaxial cable (45 mm) fits on the hook.



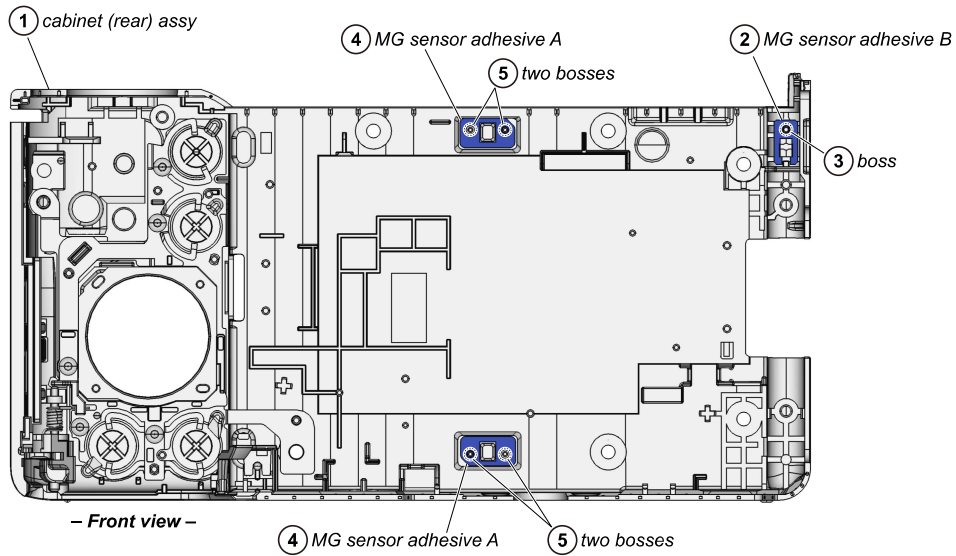
3 Insert the SY-1121 board under the strap bracket (L).



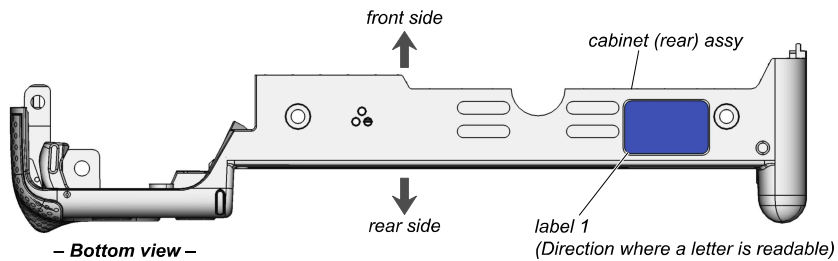




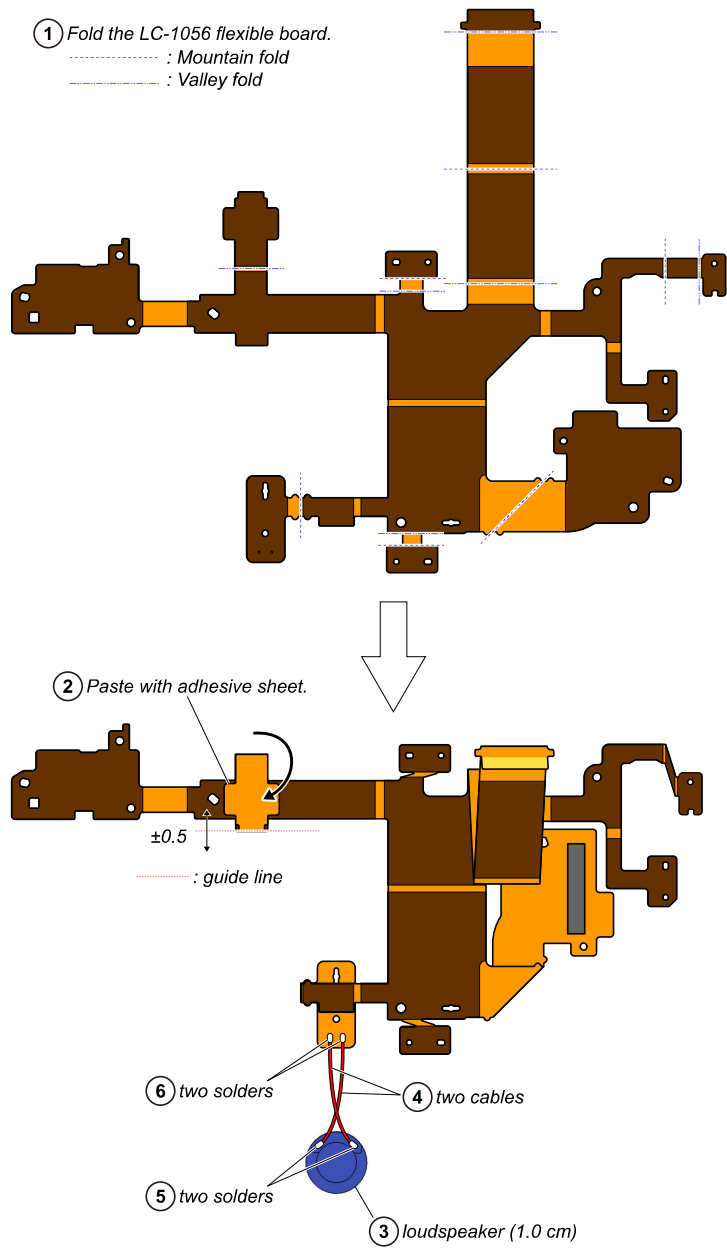
29. MG SENSOR ADHESIVE A/B



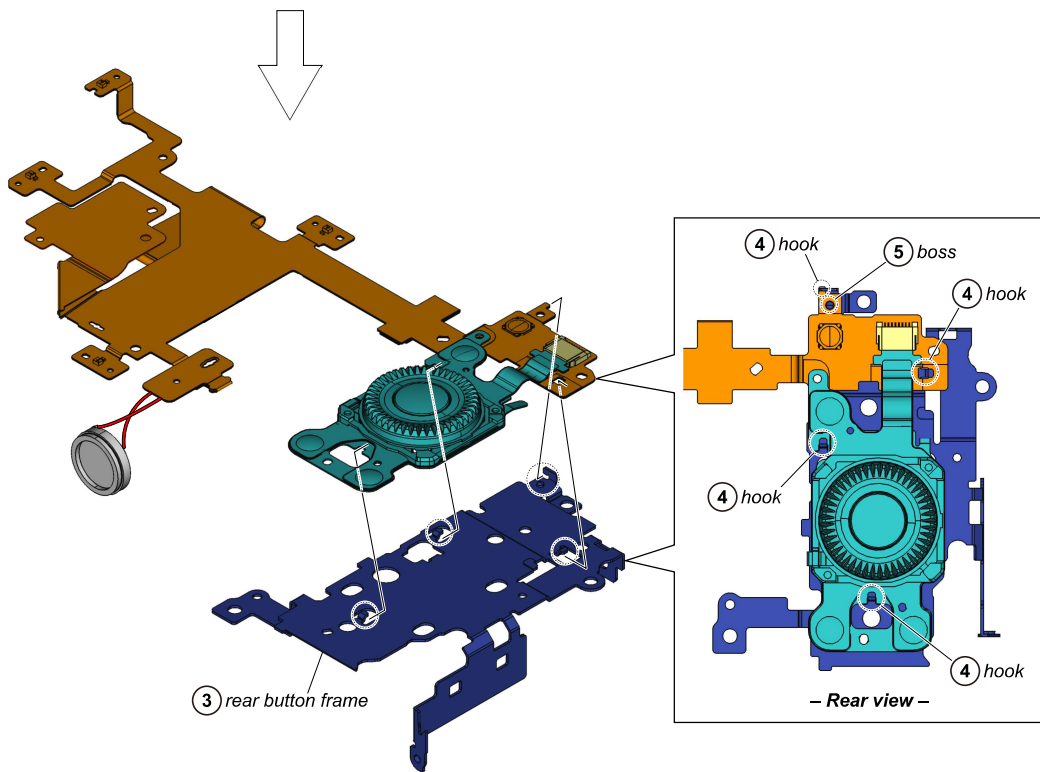
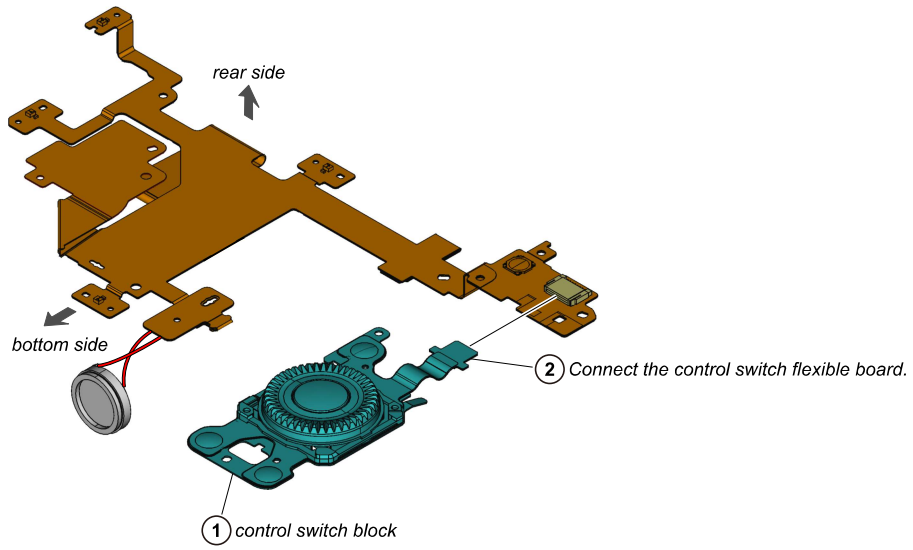
Note: When replace the cabinet (rear) assy, remove the label 1 from the old cabinet (rear) assy and paste it on the new cabinet (rear) assy.
Paste the label 1 in the same way as the old cabinet (rear) assy.
If the old cabinet (rear) assy did not have the label 1, you do not need to paste it to the new cabinet (rear) assy.



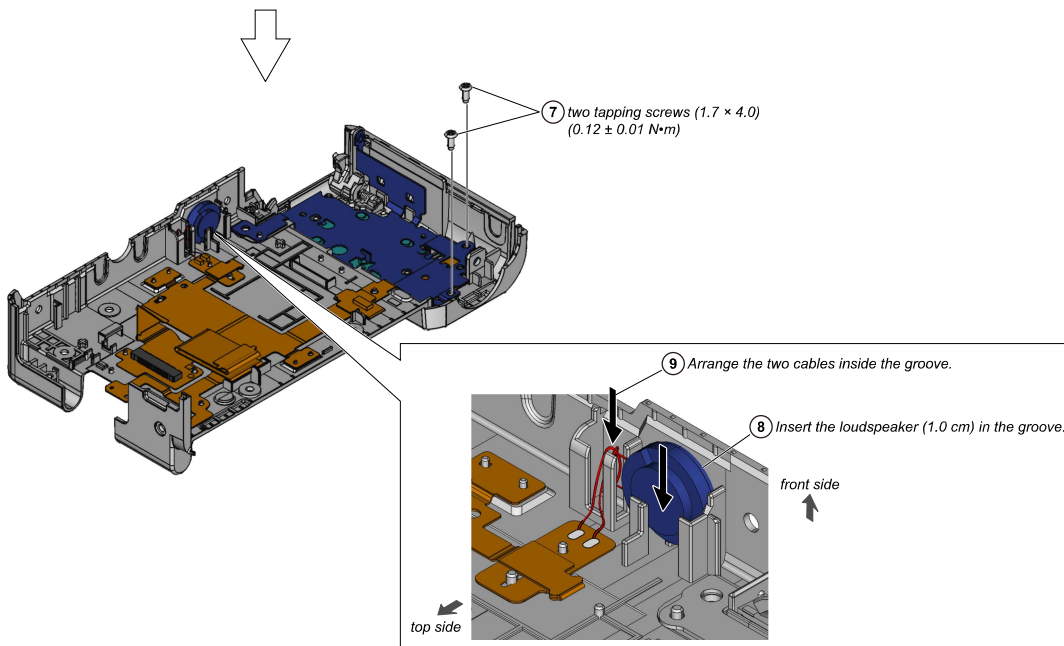
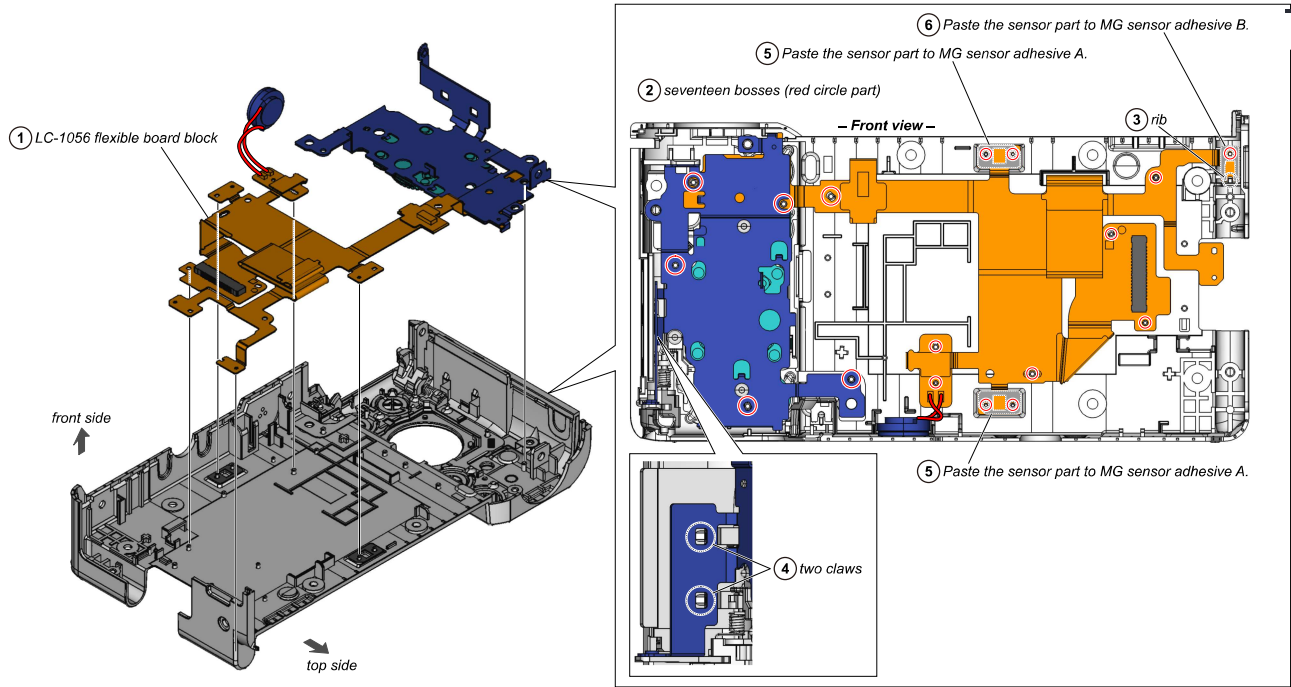
30. LOUDSPEAKER (1.0cm)



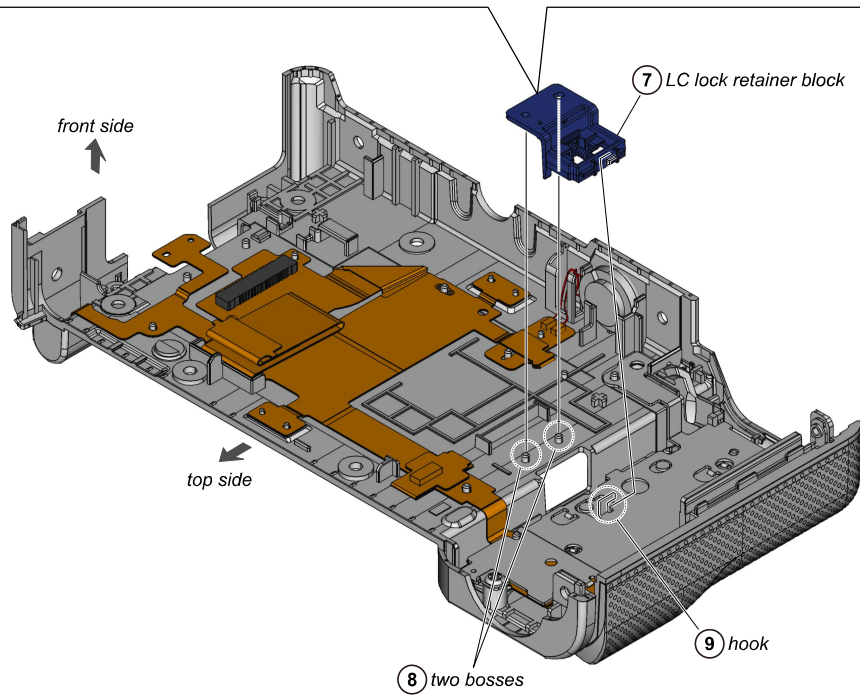
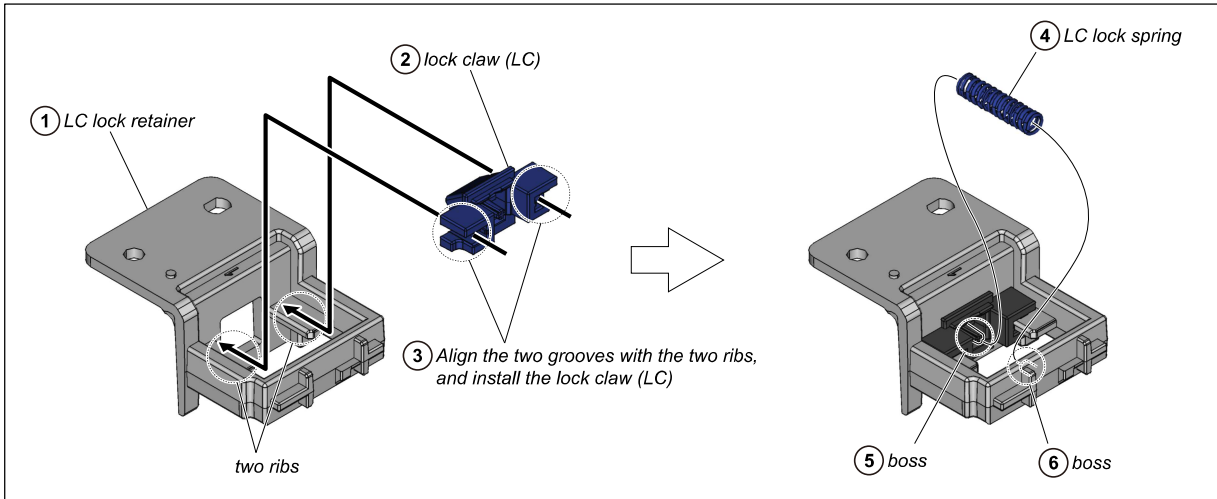
31. CONTROL SWITCH BLOCK

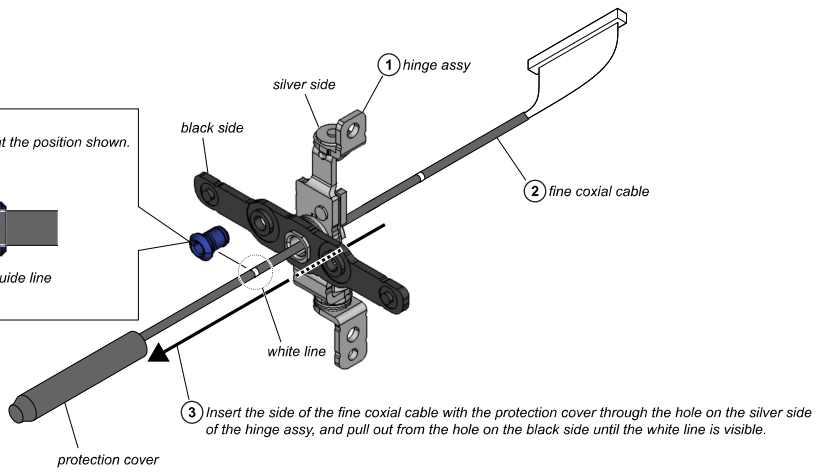
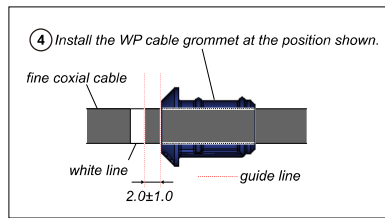


32. LC-1056 FLEXIBLE BOARD BLOCK

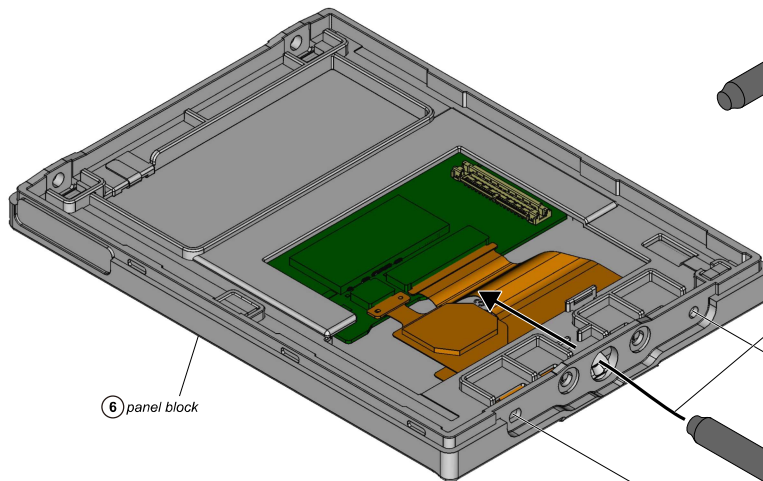
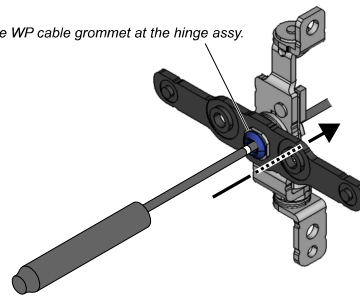


33. LC LOCK RETAINER

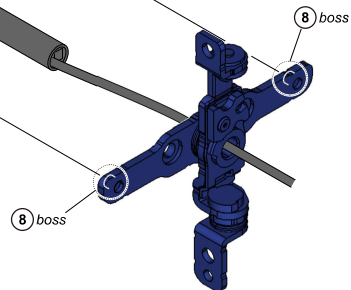




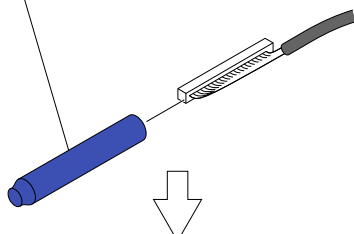
⑤ Install the WP cable grommet at the hinge assy.



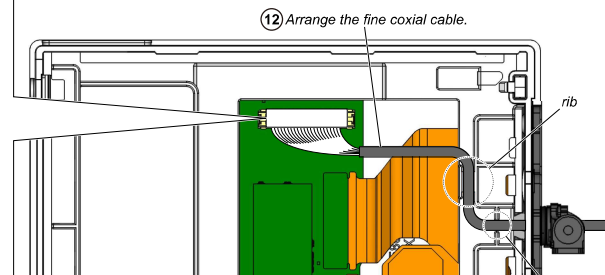
⑦ Insert the side of the fine coaxial cable with the protection cover through the hole on the panel block.

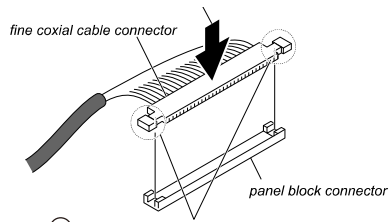


⑨ Remove the protection cover from the fine coaxial cable.
Note 1: When remove the protection cover, be careful not to damage the fine coaxial cable.
Note 2: There is no problem if the protection cover is reattached.
When installing, be careful not to damage the fine coaxial cable.

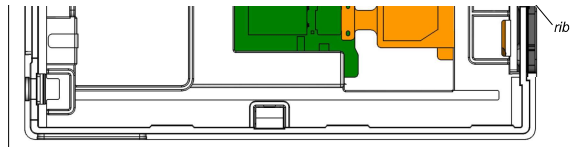


⑩ Press the center of the fine coaxial cable connector to connect it to the panel block connector.

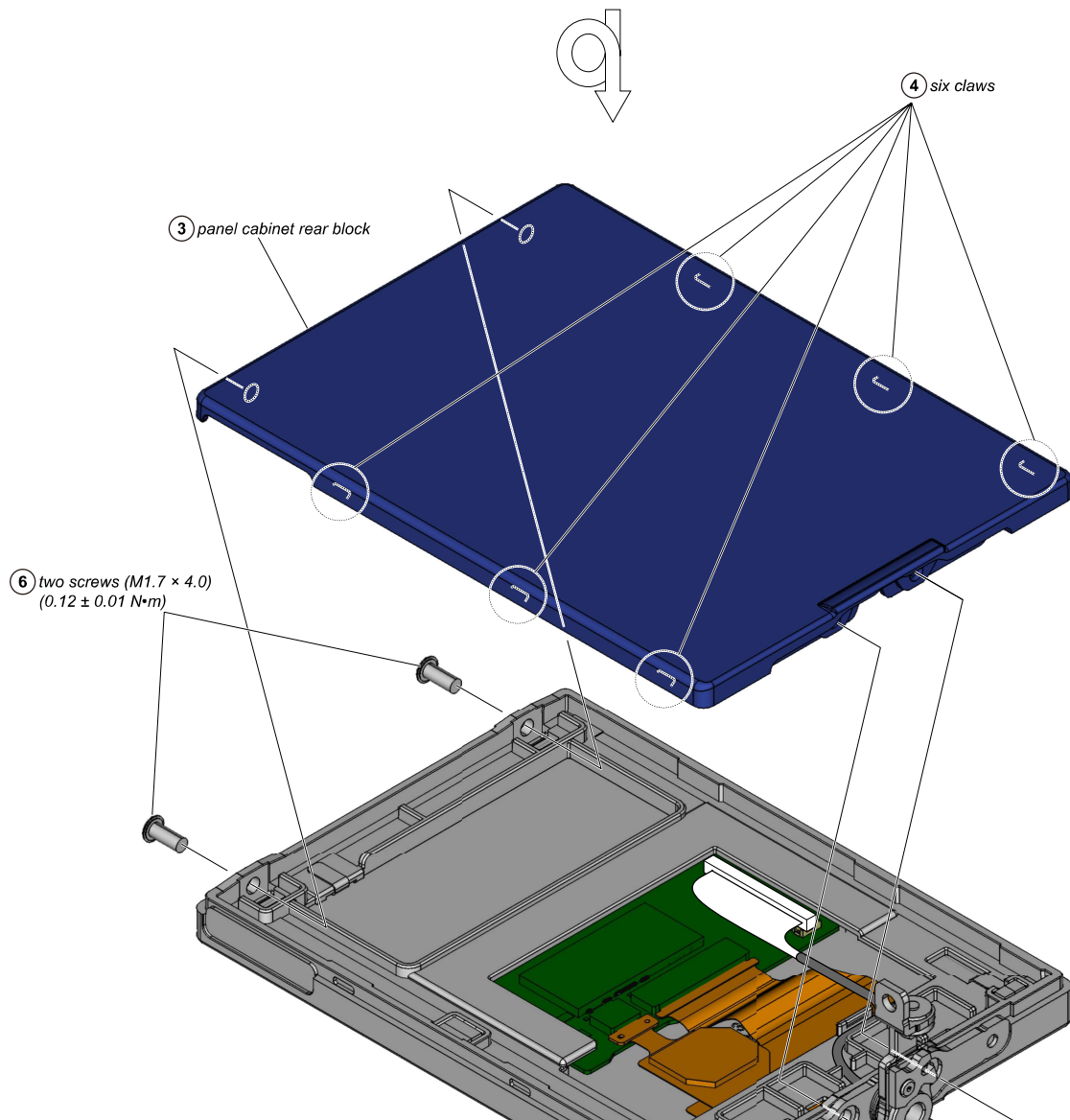
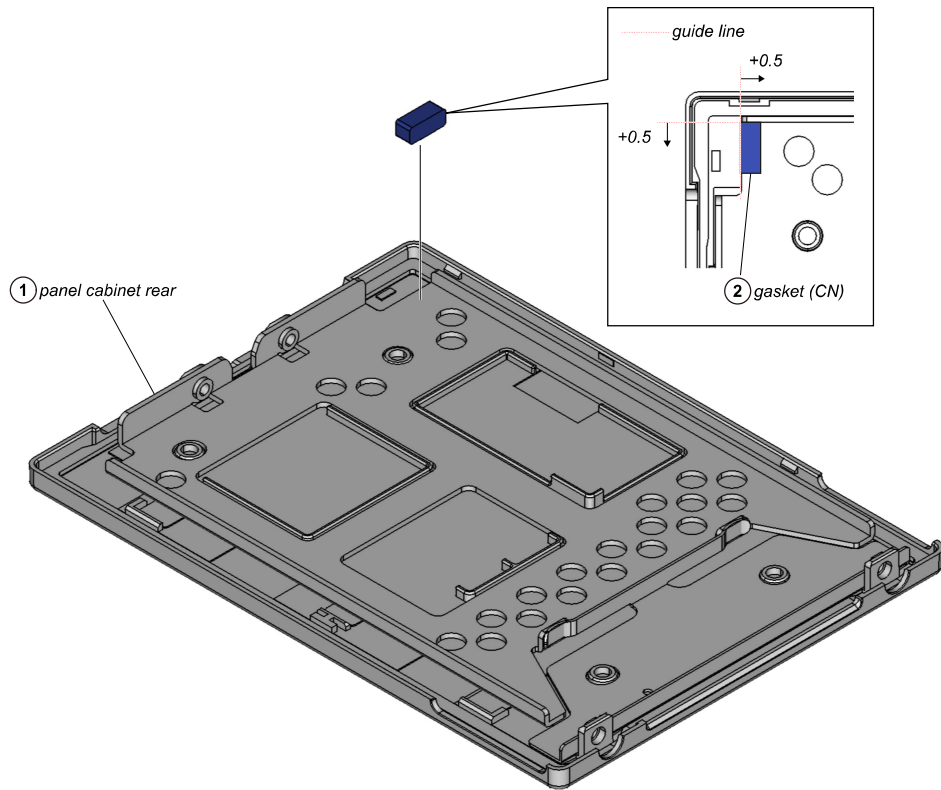


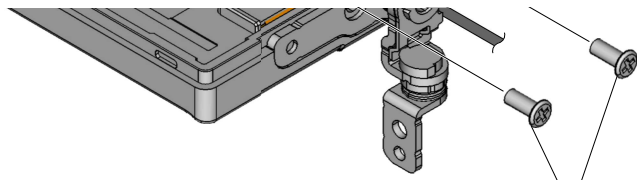


⑪ Press the resin parts on both ends of the fine coaxial cable connector to attach it to the panel block connector.



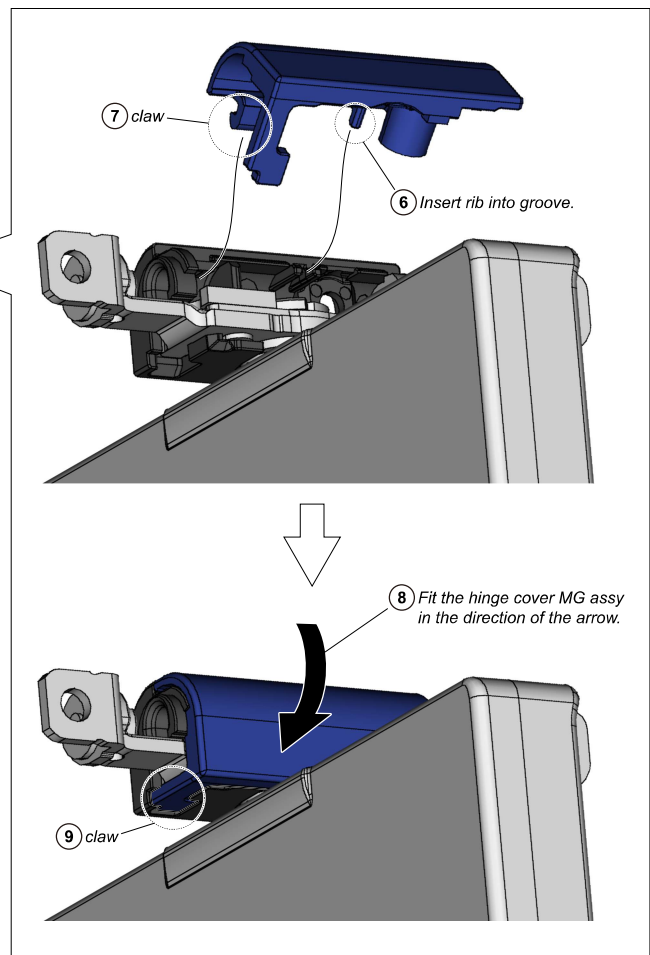
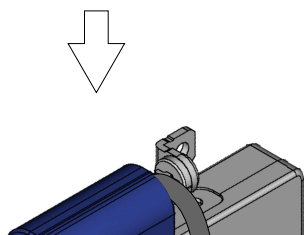
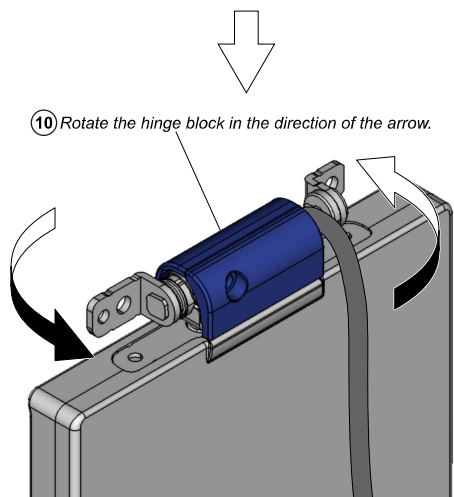
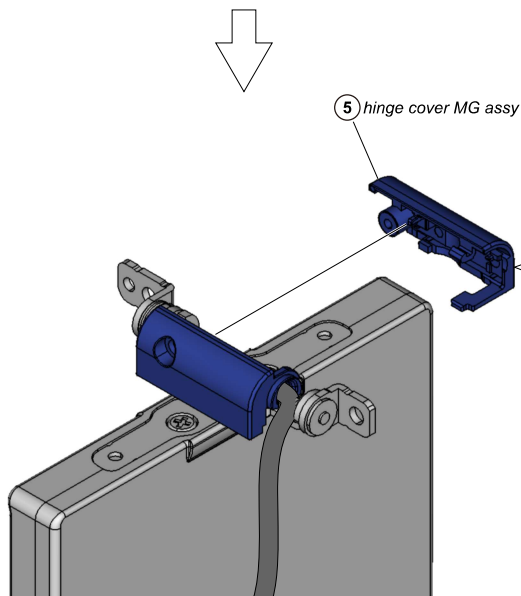
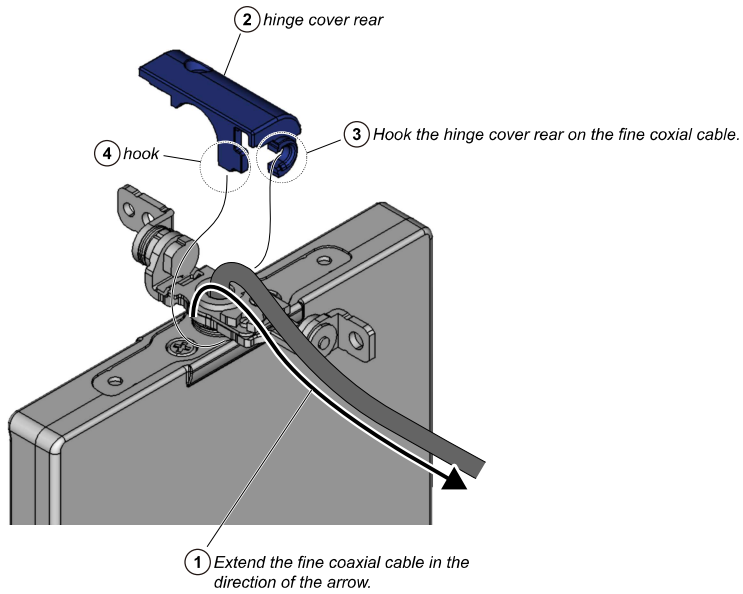
35. PANEL CABINET REAR

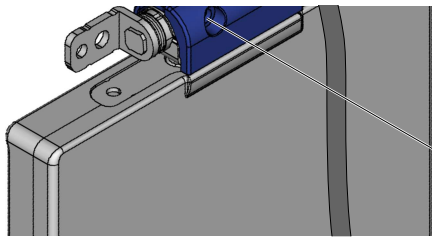




5 two screws (M1.7 × 4.0)
(0.12 ± 0.02 N·m)

36. HINGE COVER REAR, HINGE COVER MG ASSY

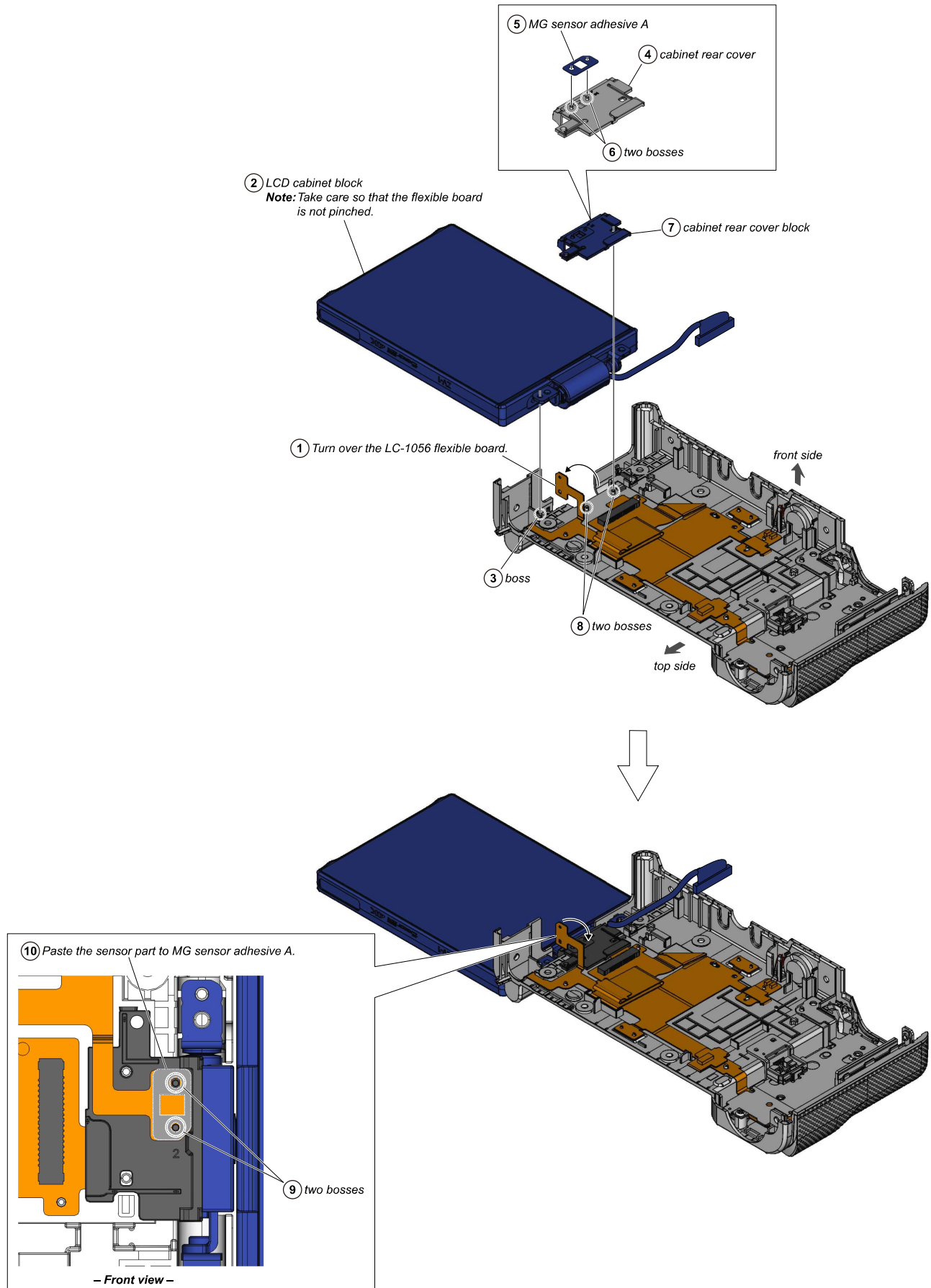


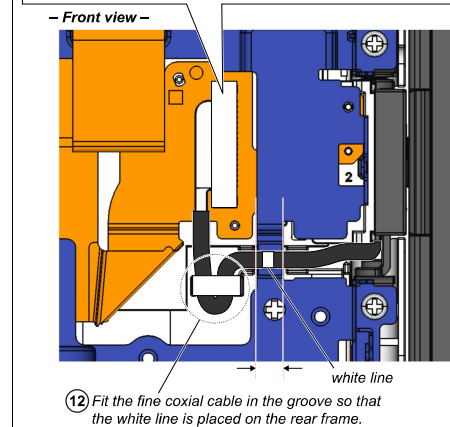
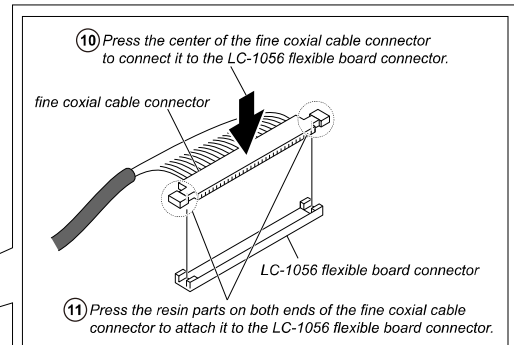
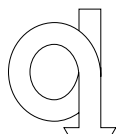
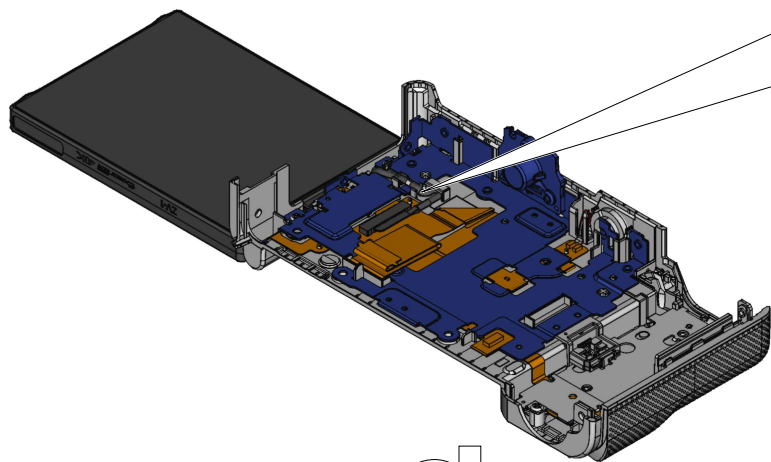
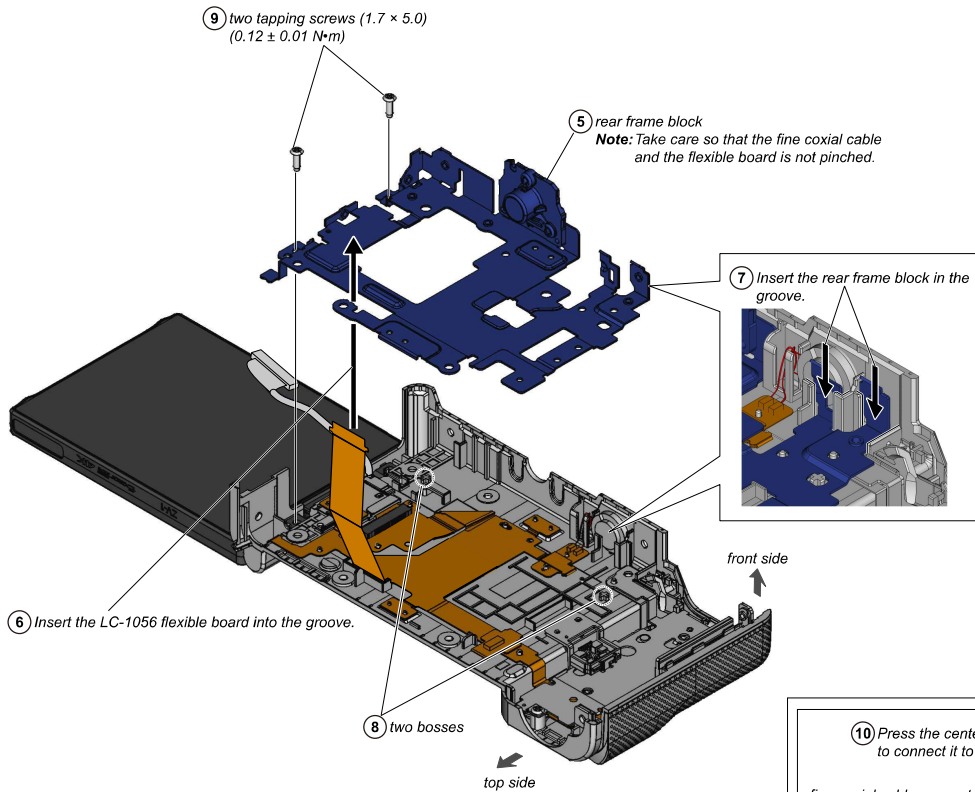
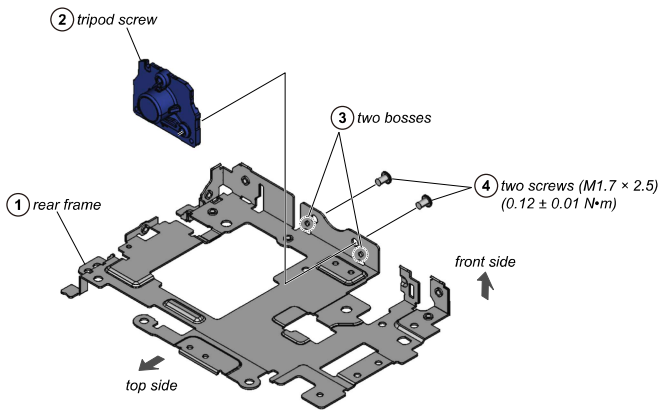


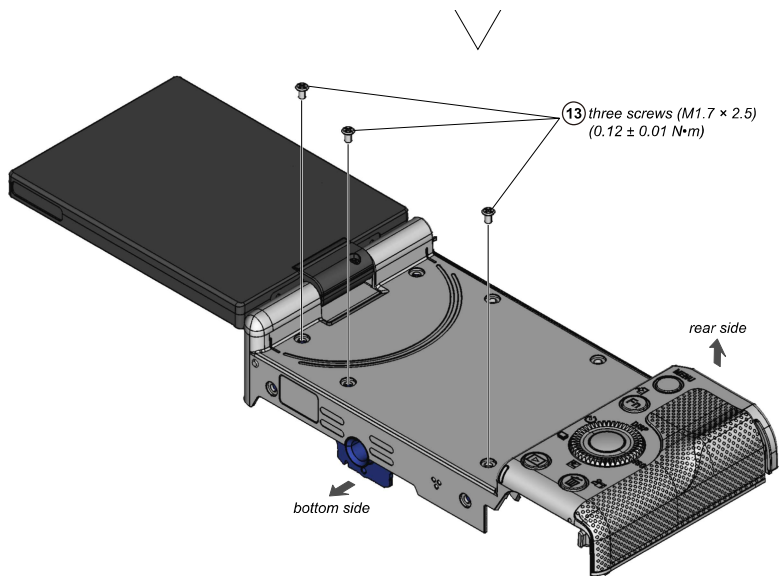
11 tapping screw (1.4 × 3.0)
(0.08 ± 0.01 N·m)

—

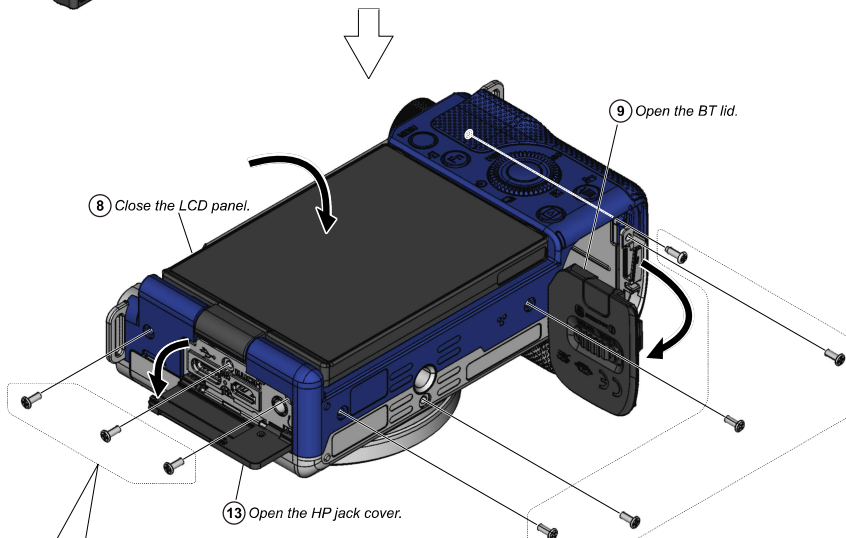
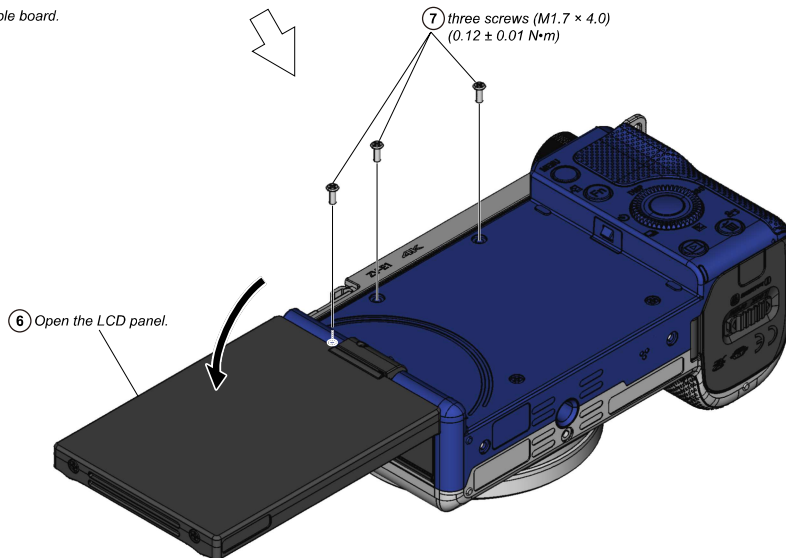
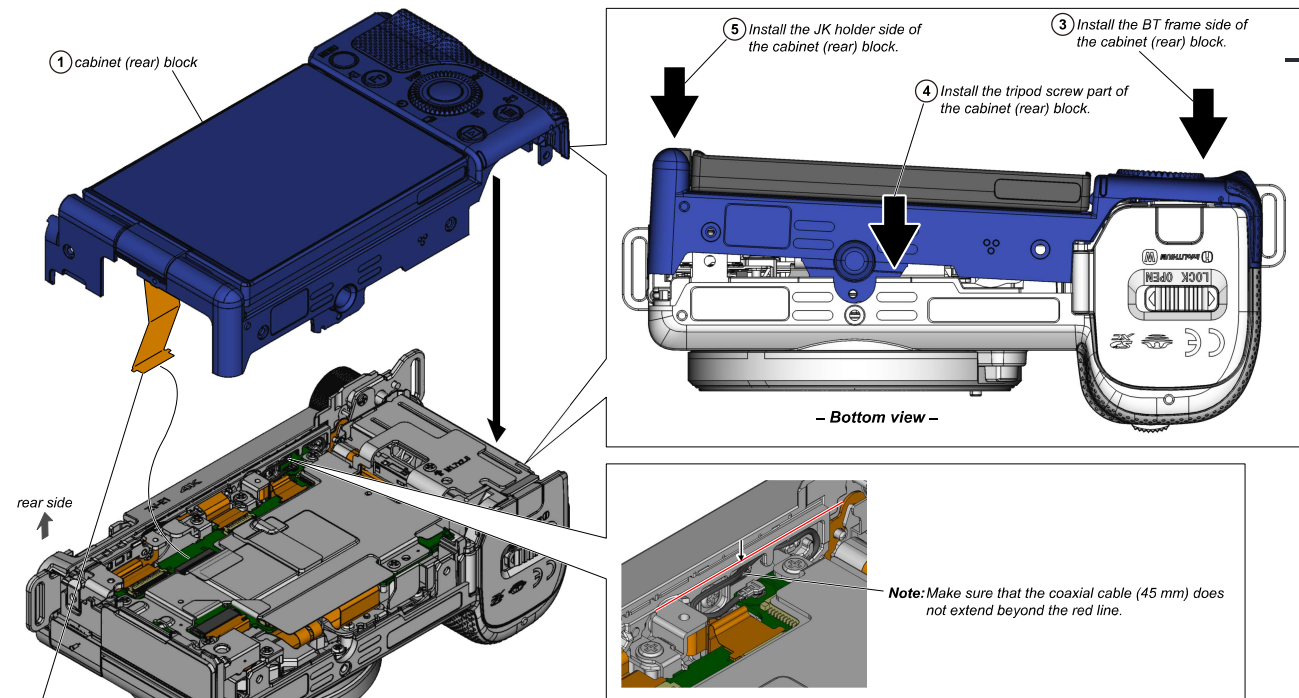
37. LCD CABINET BLOCK

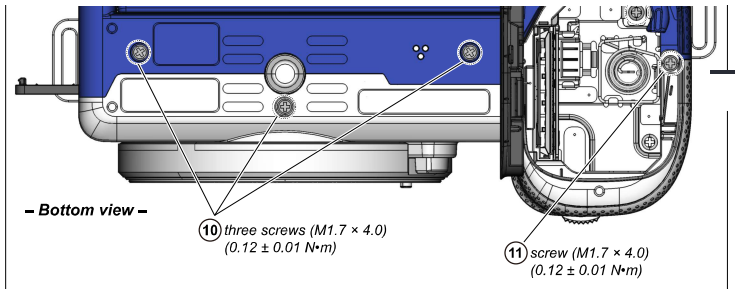
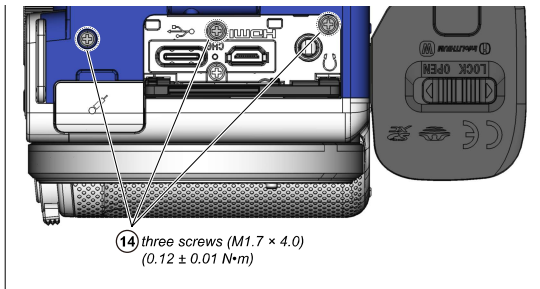






39. CABINET (REAR) BLOCK









EXPLODED VIEWS

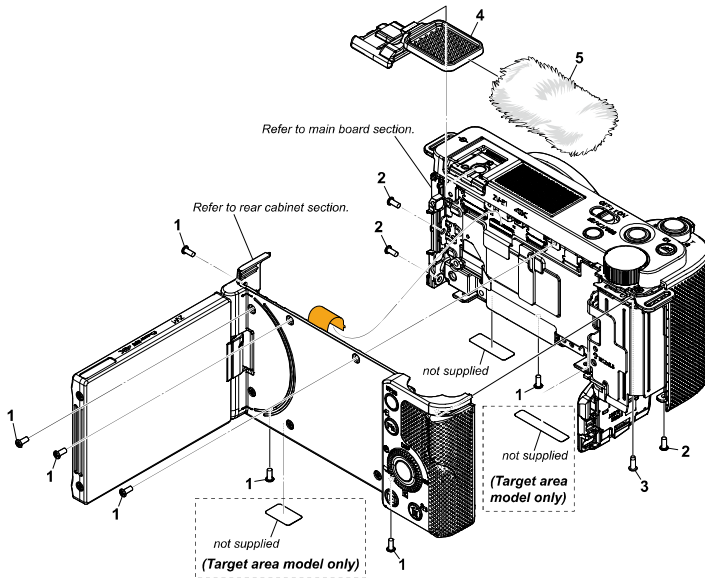
Note

- -XX and -X mean standardized parts, so they may have some difference from the original one.
- Items marked “**” are not stocked since they are seldom required for routine service. Some delay should be anticipated when ordering these items.
- The mechanical parts with no reference number in the exploded views are not supplied.

The components identified by mark  or dotted line with mark are critical for safety. Replace only with part number specified.

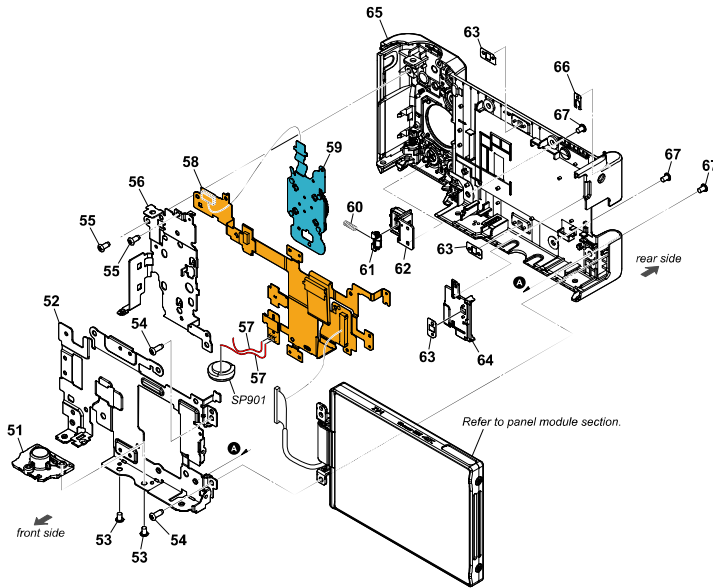
Les composants identifiés par une marque  sont critiques pour la sécurité. Ne les remplacer que par une pièce portant le numéro spécifié.

OVERALL SECTION



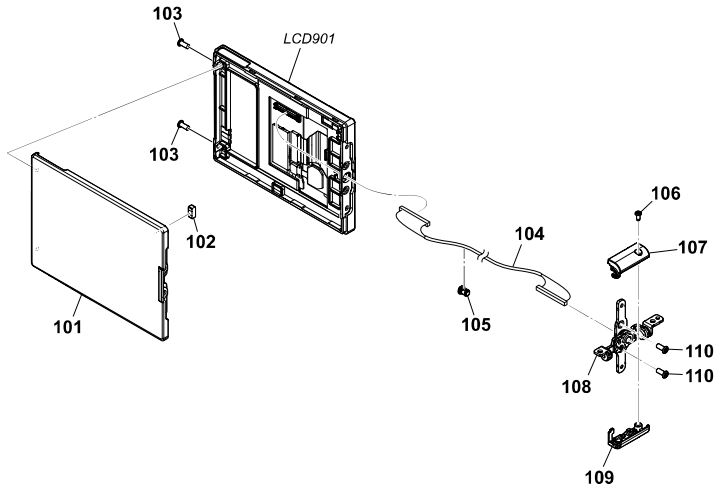
Ref. No.	Part No.	Description
1	444694901	SCREW (M1.7) (L = 4.0 mm) (BLACK)
1	259947531	SCREW (M1.7) (L = 4.0 mm) (WHITE)
2	444694901	SCREW (M1.7) (L = 4.0 mm)
3	430011521	TAPPING (1.7) (CH) (L = 5.0 mm)
4	501721601	WIND SCREEN FRAME (64500) (Accessory) (BLACK)
4	501721611	WIND SCREEN FRAME (64500) (Accessory) (WHITE)
5	501721701	WIND SCREEN (64500) (Accessory) (BLACK)
5	501721711	WIND SCREEN (64500) (Accessory) (WHITE)

REAR CABINET SECTION



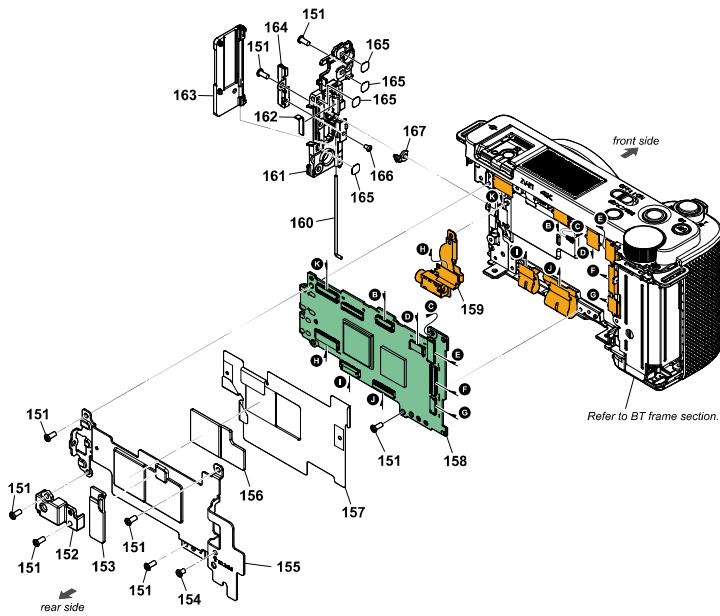
Ref. No.	Part No.	Description
51	500399801	SCREW (88400), TRIPOD
52	502107901	FRAME (88700), REAR
53	444694931	SCREW (M1.7) (L = 2.5 mm)
54	430011521	TAPPING (1.7) (CH) (L = 5.0 mm)
55	307889011	SCREW, TAPPING (1.7 x 4.0 mm)
56	502108001	FRAME (88700), REAR BUTTON
57	184855011	CABLE
58	A5028221A	LC-1056 FLEXIBLE BOARD, COMPLETE
59	149259231	SWITCH BLOCK, CONTROL (BK79700) (BLACK)
59	149259242	SWITCH BLOCK, CONTROL (SL79700) (WHITE)
60	502107201	LC LOCK SPRING (88700)
61	502107001	CLAW (LC), LOCK (88700) (BK) (BLACK)
61	502107011	CLAW (LC), LOCK (88700) (WH) (WHITE)
62	502107101	LC LOCK RETAINER (88700) (BK) (BLACK)
62	502107111	LC LOCK RETAINER (88700) (WH) (WHITE)
63	502108101	MG SENSOR ADHESIVE A (88700)
64	502107401	CABINET REAR COVER (88700) BK (BLACK)
64	502107411	CABINET REAR COVER (88700) WH (WHITE)
65	A5037563A	SERVICE CABREAR (88700) BK (BLACK)
65	A5037564A	SERVICE CABREAR (88700) WH (WHITE)
66	502108201	MG SENSOR ADHESIVE B (88700)
67	444694931	SCREW (M1.7) (L = 2.5 mm) (BLACK)
67	259947511	SCREW (M1.7) (L = 2.5 mm) (WHITE)
SP901	185921011	LOUDSPEAKER (1.0 cm)

PANEL MODULE SECTION



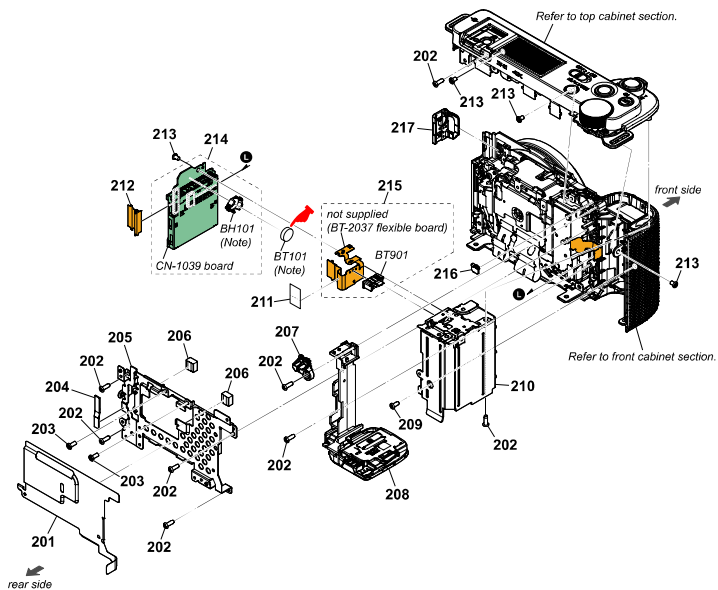
Ref. No.	Part No.	Description
101	A5037561A	SERVICE LCD CAB REAR (88700) BK (BLACK)
101	A5028189A	PANEL CABINET REAR SERVICE GP (WHITE)
102	469210701	GASKET (CN (799))
103	444694911	SCREW (M1.7) (L = 4.0 mm) (BLACK)
103	259947531	SCREW (M1.7) (L = 4.0 mm) (WHITE)
104	100597621	FINE COXIAL CABLE
105	501161101	SV WP CABLE GROMMET
106	443388221	TAPPING (1.4) (ECOLOGY) (L = 3.0 mm) (BLACK)
106	334899841	SCREW (M1.4X3), TAPPING, PAN (WHITE)
107	501160421	SV HINGE COVER REAR (BLACK)
107	501160411	SV HINGE COVER REAR (WHITE)
108	X50010461	SV HINGE ASSY
109	A5037562A	HINGE COVER MG SERVICE GP (BK) (BLACK)
109	A5028191A	HINGE COVER MG SERVICE GROUP (WHITE)
110	444694911	SCREW (M1.7) (L = 4.0 mm)
LCD901	Not Supplied	-

MAIN BOARD SECTION



Ref. No.	Part No.	Description
151	444694901	SCREW (M1.7) (L = 4,0 mm)
152	502105101	HOLDER (88700), HP JACK
153	501354711	SY HEAT TRANSFER SHEET (64500)
154	444694931	SCREW (M1.7) (L = 2,5 mm)
155	502105001	HEAT SINK (88700), SY
156	473020101	SHEET (A) (64200), HEAT
157	502201001	SHEET, SY INSULATING A (88700)
158	Not Supplied	-
159	A5028224A	HP-1017 FLEXIBLE BOARD, COMPLETE
160	502528901	JK COVER SHAFT (88700)
161	A5037569A	SERVICE JK HOLDER (88700)
162	502816901	SHEET (88700), JK LIGHT SHADE B
163	A5038682A	SERVICE COVER HP JACK (88700) BK (BLACK)
163	A5038683A	SERVICE COVER HP JACK (88700) WH (WHITE)
164	502105501	COVER SHAFT RETAINER (88700)
165	502201501	SHEET (88700), JK LIGHT SHADE A
166	413985171	SCREW (M1.4), NEW, TRU-STAR, P2 (R) (L = 2,0 mm)
167	502201401	GUIDE (88700), CHARGE LIGHT

BT FRAME SECTION



Note

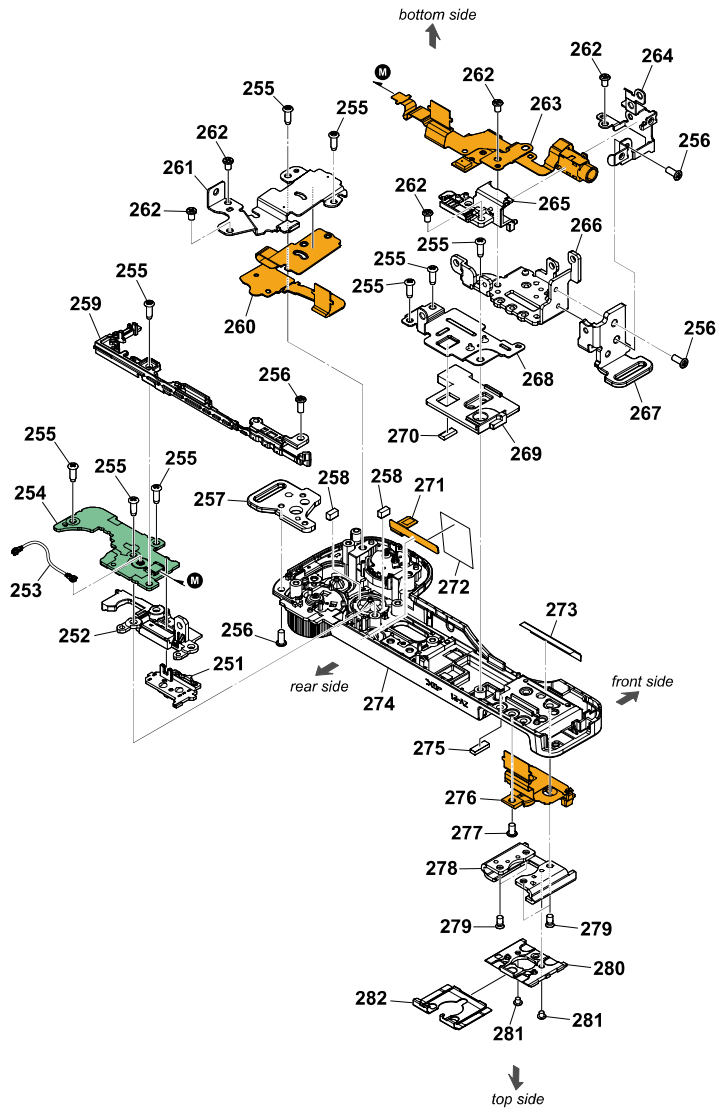
Replace the battery socket (Ref. No. BH101) together when replacing the lithium secondary battery (Ref. No. BT101) on the CN-1039 board (The battery socket removed once cannot be used again).
When mounting these parts, mount new battery socket on the CN-1039 board first and attach new lithium secondary battery next.



lithium battery (secondary) (Ref. No. BT101)

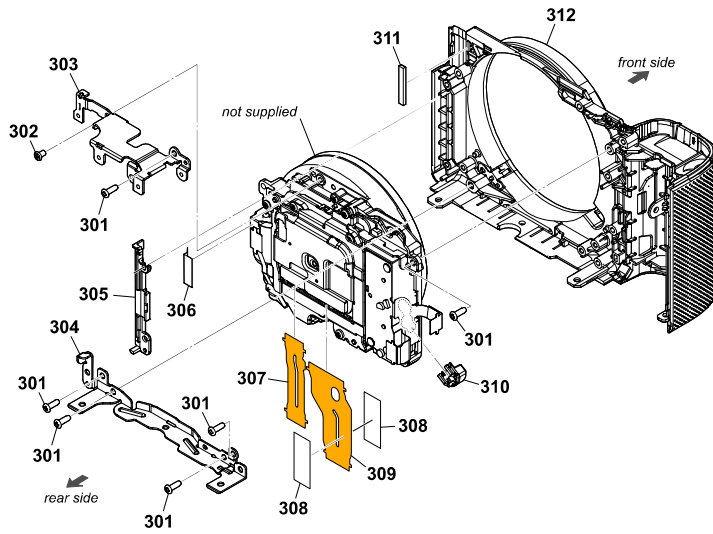
Ref. No.	Part No.	Description
201	502201101	SHEET, MF INSULATING (88700)
202	430011521	TAPPING (1.7) (CH) (L = 5.0 mm)
203	444694901	SCREW (M1.7) (L = 4.0 mm)
204	474667411	GASKET (0.5X3 (18)), SOFT
205	502104701	FRAME (88700), SY MAIN
206	500826801	GASKET IM (88400)
207	502110001	RETAINER (88700), REC TALLY
208	X50018451	LID ASSY (88700), BT (BK) (BLACK)
208	X50021151	LID ASSY (88700), BT (WH) (WHITE)
209	307889011	SCREW, TAPPING (1.7 x 4.0 mm)
210	X50018441	FRAME ASSY (88700), BT
211	500311201	INSULATING SHEET, BT (64210)
212	188685411	FP-2045 FLEXIBLE BOARD
213	444694931	SCREW (M1.7) (L = 2.5 mm)
214	A5010829A	CN-1039 BOARD, COMPLETE (Note)
215	A5029592A	BT_SOLDER (including BT-2037 flexible board)
216	502109901	REC TALLY WINDOW (88700)
217	A5037567A	SERVICE COVER MIC JACK (887) BK (BLACK)
217	A5037568A	SERVICE COVER MIC JACK (887) WH (WHITE)
⚠	125192821	SOCKET, BATTERY (Note)
⚠	BT101	BATTERY, LITHIUM (SECONDARY) (Note)
	BT901	TERMINAL BOARD BATTERY

TOP CABINET SECTION



Ref. No.	Part No.	Description
251	X50021161	POWER LEVER ASSY (88700) (BK) (BLACK)
251	X50021171	POWER LEVER ASSY (88700) (WH) (WHITE)
252	502126701	WF HOLDER (88700)
253	184647441	CABLE, COAXIAL (45 mm)
254	A5028220A	AN-1042 BOARD, COMPLETE
255	430011521	TAPPING (1.7) (CH) (L = 5.0 mm)
256	444694901	SCREW (M1.7) (L = 4.0 mm)
257	502109101	BRACKET (G) (88700), STRAP
258	502817201	CUSHION REC
259	502126601	RL BRACKET (88700)
260	A5028222A	RL-1070 FLEXIBLE BOARD, COMPLETE
261	502201201	PR RETAIN PLATE (88700)
262	444694931	SCREW (M1.7) (L = 2.5 mm)
263	A5028223A	JK-1031 FLEXIBLE BOARD, COMPLETE
264	502105401	PLATE (88700), EYELET L FIXED
265	502105201	HOLDER (88700), MIC JACK
266	502112301	SHOE FRAME (88700)
267	502126901	BRACKET (L) (88700), STRAP
268	A5037560A	SERVICE MIC FRAME BLOCK (88700)
269	502104601	MIC RUBBER (88700)
270	500398101	GASKET (R) (64210)
271	188959212	AN-1006 FLEXIBLE BOARD
272	500801501	SHEET (64210), SY-MS PROTECT
273	502200901	SHEET, JK PROTECTION (88700)
274	A5037558A	SERVICE CABTOP BLOCK (88700) BK (BLACK)
274	A5037559A	SERVICE CABTOP BLOCK (88700) WH (WHITE)
275	502817101	WP SHEET MI
276	A5001908A	MIS-2006 FLEXIBLE BOARD, COMPLETE
277	259947521	SCREW (M1.7) (L = 3.0 mm)
278	500294302	MI SHOE SHELL PLATE (88100) (BLACK)
278	500294311	MI SHOE SHELL PLATE (88100) (WHITE)
279	500294701	SCREW (M1.7) SPECIAL HEAD (L = 3.3 mm)
280	500294602	MI SHOE SCREW COVER (88100)
281	428743511	SCREW (M1.4 EUROPE) TYPE (L = 1.4 mm)
282	500294502	MI SHOE SPRING PLATE (88100) (BLACK)
282	500294512	MI SHOE SPRING PLATE (88100) (WHITE)

FRONT CABINET SECTION



Ref. No.	Part No.	Description
301	430011521	TAPPING (1.7) (CH) (L = 5.0 mm)
302	444694931	SCREW (M1.7) (L = 2.5 mm)
303	502104801	PLATE (88700), TOP BASE
304	502109801	FRONT FRAME (88700)
305	502125201	RETAINER (88700), JK HOLDER
306	500311201	INSULATING SHEET, BT (64210)
307	189465511	ISP-2004 FLEXIBLE BOARD
308	503244801	ISL SHIELD SHEET (88700)
309	189465611	ISL-2005 FLEXIBLE BOARD
310	448079503	BUTTON, LENS LOCK (779) (BLACK)
310	448079521	BUTTON, LENS LOCK (779) (WHITE)
311	502817001	SHEET (88700), JK LIGHT SHADE C
312	A5037565A	SERVICE CABFRONT (88700) BK (BLACK)
312	A5037566A	SERVICE CABFRONT (88700) WH (WHITE)

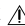





SUPPLIED ACCESSORIES

Note

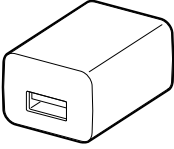
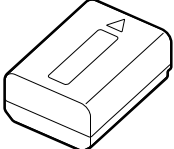
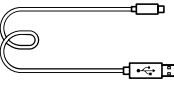

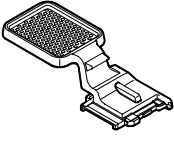
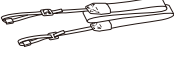
Items marked “**” are not stocked since they are seldom required for routine service. Some delay should be anticipated when ordering these items.


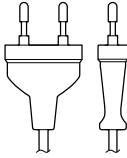
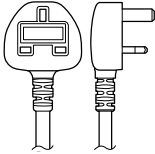
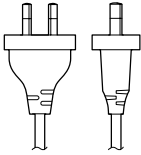
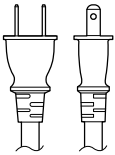
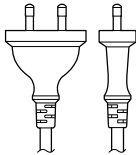
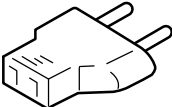
The components identified by mark  or dotted line with mark are critical for safety. Replace only with part number specified.

Les composants identifiés par une marque  sont critiques pour la sécurité. Ne les remplacer que par une pièce portant le numéro spécifié.

Click the part image to enlarge the image.

Ref. No.	Product	Part No.	Description
*		472792417	Reference Guide (ENGLISH, FRENCH, SPANISH) (AEP, UK, JE)
*		472792426	Reference Guide (GERMAN, DUTCH, SWEDISH, ITALIAN, PORTUGUESE, DANISH, FINNISH, NORWEGIAN, POLISH, CZECH, HUNGARIAN, RUSSIAN, SLOVAK, UKRAINIAN) (AEP, UK)
*		472792445	Reference Guide (ENGLISH, TRADITIONAL CHINESE, SIMPLIFIED CHINESE, KOREAN) (CH, JE)
*		474761215	Reference Guide (ENGLISH, FRENCH, SPANISH) (US, CND, E: NTSC, IND)
*		474761232	Reference Guide (ARABIC, PERSIAN, THAI, INDONESIAN) (E: PAL)
*		474761243	Reference Guide (ENGLISH, TRADITIONAL CHINESE, SIMPLIFIED CHINESE, KOREAN) (E: PAL, E: NTSC, KR)
*		502783511	Startup Guide (ENGLISH) (JE)
*		502783521	Startup Guide (SPANISH, PORTUGUESE) (JE)
*		502783531	Startup Guide (ENGLISH, FRENCH, GERMAN, SPANISH, DUTCH, SWEDISH, ITALIAN, PORTUGUESE, DANISH, FINNISH, NORWEGIAN, POLISH, RUSSIAN, UKRAINIAN) (AEP, UK)
*		502783541	Startup Guide (KOREAN) (JE)
*		502783551	Startup Guide (TRADITIONAL CHINESE) (JE)
*		502783561	Startup Guide (SIMPLIFIED CHINESE) (CH, JE)
*		502783611	Startup Guide (HUNGARIAN) (AEP, UK)
*		502783621	Startup Guide (SLOVAK) (AEP, UK)

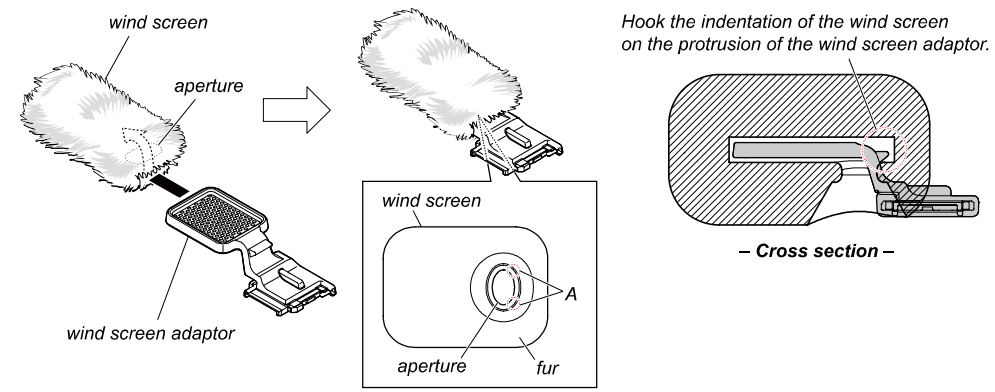
Ref. No.	Product	Part No.	Description
*		502783631	Startup Guide (CZECH) (AEP, UK)
*		502802811	Startup Guide (ENGLISH) (US, CND, E: PAL, E: NTSC, IND)
*		502802821	Startup Guide (FRENCH) (US, CND)
*		502802831	Startup Guide (SPANISH, PORTUGUESE) (E: NTSC)
*		502802841	Startup Guide (ARABIC, PERSIAN) (E: PAL)
*		502802851	Startup Guide (KOREAN) (KR)
*		502802861	Startup Guide (TRADITIONAL CHINESE) (E: PAL, E: NTSC)
*		502802871	Startup Guide (SIMPLIFIED CHINESE) (E: PAL, E: NTSC)
*		502802911	Startup Guide (THAI) (E: PAL)
*		502802921	Startup Guide (INDONESIAN) (E: PAL)
△901		149308317	AC ADAPTOR (AC-UUE12) (AEP, UK, E: PAL, E: NTSC)
		149308331	AC ADAPTOR (AC-UUE12 T) (IND)
		149308422	AC ADAPTOR (AC-UUD12) (CH)
		149308451	AC ADAPTOR (AC-UUD12) (KR)
		149308515	AC ADAPTOR (AC-UUD12) (US, CND, JE)
△902		832830131	Rechargeable battery pack (NP-FW50/JC) (US, CND)
		832830151	Rechargeable battery pack (NP-FW50/CE) (Except US, CND, CH)
		832830172	Rechargeable battery pack (NP-FW50/CN) (CH)
903		100948611	USB Type-C cable (USB 2.0)
904		501721701	Wind screen (BLACK) (Note 1)
		501721711	Wind screen (WHITE) (Note 1)
905		501721601	Wind screen adaptor (BLACK) (Note 1)
		501721611	Wind screen adaptor (WHITE) (Note 1)
906		416733431	Shoulder strap

Ref. No.	Product	Part No.	Description
907		418853601	Body cap (CX88700/CX88701)
△908		184642011	Power cord (mains lead) (AEP, UK, E: PAL) (Note 2)
△909		183742114	Power cord (mains lead) (AEP, UK, E: PAL) (Note 2)
△910		184609512	Power cord (mains lead) (E: PAL) (Note 2)
△911		184643113	Power cord (mains lead) (E: NTSC)
△912		184806614	Power cord (mains lead) (IND)
△913		156900731	Conversion (2P) Adaptor (E: NTSC, JE)

Note 1

How to attach the Wind Screen Frame to the Wind Screen

1. Insert the wind screen adaptor all the way through the aperture in the wind screen.
2. Pull the A part of the wind screen opening and hook it on the protrusion of the wind screen adaptor.



Note 2

Select the power cord that matches your countries/regions.



FRAME SCHEMATIC DIAGRAMS

989690961

2023L_S-1 © 2023.12

Sony Corporation

