

WH-XB910N

YY2951

SERVICE MANUAL

DISCLAIMER: USE AT OWN RISK.

SONY AND ITS AFFILIATES ARE NOT LIABLE FOR ANY DAMAGE OR INJURY CAUSED TO ANY DIGITAL ELECTRONIC EQUIPMENT, PERSON, OR PROPERTY, WHICH OCCURS DUE TO USE OF THE TOOLS, PARTS, DOCUMENTATION, OR OTHER MATERIALS HEREIN PROVIDED, WHETHER FOR REPAIR, DIAGNOSIS, MAINTENANCE, MODIFICATION, OR OTHERWISE, INCLUDING BUT NOT LIMITED TO: ANY INDIRECT, INCIDENTAL, SPECIAL, OR CONSEQUENTIAL DAMAGES; ANY LOSS OF DATA, PRIVACY OR PROFITS; OR ANY INABILITY TO USE, OR REDUCED FUNCTIONALITY OF, THE DIGITAL ELECTRONIC EQUIPMENT. PLEASE READ ALL INSTRUCTIONS IN THIS MANUAL BEFORE PROCEEDING. PLEASE FOLLOW ALL STEPS IN THE ORDER IN WHICH THEY ARE DESCRIBED. IF YOU DO NOT HAVE ALL TOOLS AND PARTS AVAILABLE TO YOU, OR ARE NOT COMFORTABLE PERFORMING THE REPAIRS DESCRIBED HEREIN, DO NOT PROCEED. FAILURE TO FOLLOW THESE INSTRUCTIONS, OR USE THE PROPER TOOLS AND PARTS, MAY DAMAGE YOUR PRODUCT, LEAD TO PERSONAL INJURY OR CAUSE PROPERTY DAMAGE.

CAUTION

Danger of explosion if battery is incorrectly replaced.
Replace only with the same or equivalent type.

WH-XB910N

YY2951

SERVICE MANUAL

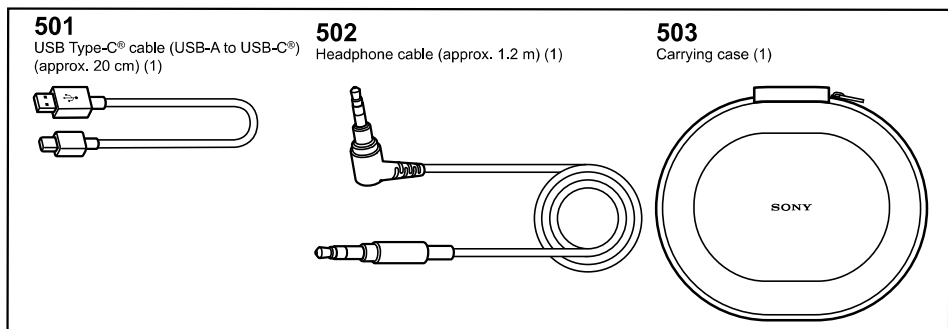
US Model

- This unit has two types of names for model name (WH-XB910N), and model (YY2951).
- **Color variations**
(B) Black, (H) Gray, (L) Blue

- The service policy of this model is Product Exchange.
The following parts are available for service parts of this model.

PARTS LIST

Ref. No.	Part No.	Description	Remark	Ref. No.	Part No.	Description	Remark
	503101312	OPERATING INSTRUCTIONS		501	101196731	USB TYPE-C TO A CABLE ZK (USB Type-C® cable (USB-A to USB-C®) (approx. 20 cm))	
	503101414	REFERENCE GUIDE (ENGLISH, FRENCH, SPANISH)		502	191284421	CABLE (WITH PLUG) BLK (Headphone cable (approx. 1.2 m))	
				503	503719201	CASE CARRYING (Carrying case)	



MODEL IDENTIFICATION

When identifying the destination or check the model name and model, refer to the model number notation on the inside left side of the headband.

Note 1: The contents of model number notation might be changed in the midway of production.

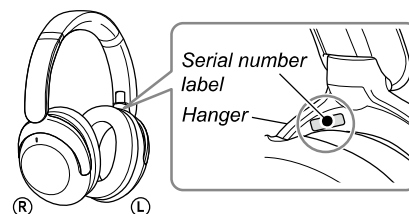


Model: YY2951
WH-XB910N
WIRELESS
NOISE CANCELING
STEREO HEADSET
MADE IN VIETNAM
FCC ID: AK8Y2951
IC: 4098-YY2951
5 V

Note 2: This model number notation indicates that it is WH-XB910N/YY2951 for US. If the model number notation is other than this, it is WH-XB910N/YY2951 with a destination other than US.

CHECKING METHOD OF SERIAL NUMBER

When checking the serial number, refer to the serial number label affixed on the inside of the left side hanger.



WIRELESS NOISE CANCELING STEREO HEADSET