

⚠ 警告

このマニュアルは、サービス専用です。

お客様が、このマニュアルに記載された設置や保守、点検、修理などを行うと感電や火災、人身事故につながる可能性があります。

危険をさけるため、サービストレーニングを受けた技術者のみご使用ください。

⚠ WARNING

This manual is intended for qualified service personnel only.

To reduce the risk of electric shock, fire or injury, do not perform any servicing other than that contained in the operating instructions unless you are qualified to do so. Refer all servicing to qualified service personnel.

⚠ WARNUNG

Die Anleitung ist nur für qualifiziertes Fachpersonal bestimmt.

Alle Wartungsarbeiten dürfen nur von qualifiziertem Fachpersonal ausgeführt werden. Um die Gefahr eines elektrischen Schlages, Feuergefahr und Verletzungen zu vermeiden, sind bei Wartungsarbeiten strikt die Angaben in der Anleitung zu befolgen. Andere als die angegebenen Wartungsarbeiten dürfen nur von Personen ausgeführt werden, die eine spezielle Befähigung dazu besitzen.

⚠ AVERTISSEMENT

Ce manuel est destiné uniquement aux personnes compétentes en charge de l'entretien. Afin de réduire les risques de décharge électrique, d'incendie ou de blessure n'effectuer que les réparations indiquées dans le mode d'emploi à moins d'être qualifié pour en effectuer d'autres. Pour toute réparation faire appel à une personne compétente uniquement.

注意

指定以外の電池に交換すると、破裂する危険があります。
必ず指定の電池に交換してください。
使用済みの電池は、国または地域の法令に従って
処理してください。

CAUTION

Danger of explosion if battery is incorrectly replaced.
Replace only with the same or equivalent type recommended by the manufacturer.
When you dispose of the battery, you must obey the law in the relative area or country.

ATTENTION

Il y a danger d'explosion s'il y a remplacement incorrect de la batterie. Remplacer uniquement avec une batterie du même type ou d'un type équivalent recommandé par le constructeur.
Lorsque vous mettez la batterie au rebut, vous devez respecter la législation en vigueur dans le pays ou la région où vous vous trouvez.

VORSICHT

Explosionsgefahr bei Verwendung falscher Batterien. Batterien nur durch den vom Hersteller empfohlenen oder einen gleichwertigen Typ ersetzen.
Wenn Sie die Batterie entsorgen, müssen Sie die Gesetze der jeweiligen Region und des jeweiligen Landes befolgen.

Note:

Be sure to keep your PC used for service and checking of this unit always updated with the latest version of your anti-virus software. In case a virus affected unit was found during service, contact your Service Headquarters.

FÖRSIKTIGHET!

Fara för explosion vid felaktigt placerat batteri.
Byt endast mot samma eller likvärdig typ av batteri, enligt tillverkarens rekommendationer.
När du kasserar batteriet ska du följa rådande lagar för regionen eller landet.

PAS PÅ

Fare for eksplosion, hvis batteriet ikke udskiftes korrekt.
Udskift kun med et batteri af samme eller tilsvarende type, som er anbefalet af fabrikanten.
Når du bortskaffer batteriet, skal du følge lovgivningen i det pågældende område eller land.

HUOMIO

Räjähdyksvaara, jos akku vaihdetaan virheellisesti. Vaihda vain samanlaiseen tai vastaaventyypiseen, valmistajan suosittelemaan akkuun.
Noudata akun hävittämisessä oman maasi tai alueesi lakeja.

FORSIKTIG

Ekspløsjonsfare hvis feil type batteri settes i. Bytt ut kun med samme type eller tilsvarende anbefalt av produsenten.
Kasser batteriet i henhold til gjeldende avfallsregler.

注意

如果更换的电池不正确，就会有爆炸的危险。
只更换同一类型或制造商推荐的电池型号。
处理电池时，必须遵守相关地区或国家的法律。

注意：

修理時に使用するパソコンは、ウィルス検出ソフトが常にアップデートを行っているパソコンを使用してください。もし、修理を行うセット、もしくはパソコンがウィルスに感染している事が判明した場合は、ソニーグループ内は社内技術相談窓口、特約店様は特約店様専用電話窓口（修理窓口）にご相談ください。

SAFETY CHECK-OUT

After correcting the original service problem, perform the following safety checks before releasing the set to the customer.

1. Check the area of your repair for unsoldered or poorly-soldered connections. Check the entire board surface for solder splashes and bridges.
2. Check the interboard wiring to ensure that no wires are "pinched" or contact high-wattage resistors.
3. Look for unauthorized replacement parts, particularly transistors, that were installed during a previous repair. Point them out to the customer and recommend their replacement.
4. Look for parts which, through functioning, show obvious signs of deterioration. Point them out to the customer and recommend their replacement.
5. Check the B+ voltage to see it is at the values specified.
6. Flexible Circuit Board Repairing
 - Set the soldering iron tip temperature to 350 °C approximately.
 - Do not touch the soldering iron on the same conductor of the circuit board (within 3 times).
 - Be careful not to apply force on the conductor when soldering or unsoldering.

UNLEADED SOLDER

This unit uses unleaded solder.

Boards requiring use of unleaded solder are printed with the lead free mark (LF) indicating the solder contains no lead.

(Caution: Some printed circuit boards may not come printed with the lead free mark due to their particular size.)





LEAD FREE MARK

Be careful to the following points to solder or unsolder.


- Set the soldering iron tip temperature to 350 °C approximately. If cannot control temperature, solder/unsolder at high temperature for a short time.

Caution: The printed pattern (copper foil) may peel away if the heated tip is applied for too long, so be careful!
Unleaded solder is more viscous (sticky, less prone to flow) than ordinary solder so use caution not to let solder bridges occur such as on IC pins, etc.
- Be sure to control soldering iron tips used for unleaded solder and those for leaded solder so they are managed separately. Mixing unleaded solder and leaded solder will cause detachment phenomenon.

SAFETY-RELATED COMPONENT WARNING!!

COMPONENTS IDENTIFIED BY MARK  OR DOTTED LINE WITH MARK  ON THE SCHEMATIC DIAGRAMS AND IN THE PARTS LIST ARE CRITICAL TO SAFE OPERATION. REPLACE THESE COMPONENTS WITH SONY PARTS WHOSE PART NUMBERS APPEAR AS SHOWN IN THIS MANUAL OR IN SUPPLEMENTS PUBLISHED BY SONY.

ATTENTION AU COMPOSANT AYANT RAPPORT À LA SÉCURITÉ!

LES COMPOSANTS IDENTIFIÉS PAR UNE MARQUE  SUR LES DIAGRAMMES SCHÉMATIQUES ET LA LISTE DES PIÈCES SONT CRITIQUES POUR LA SÉCURITÉ DE FONCTIONNEMENT. NE REMPLACER CES COMPOSANTS QUE PAR DES PIÈCES SONY DONT LES NUMÉROS SONT DONNÉS DANS CE MANUEL OU DANS LES SUPPLÉMENTS PUBLIÉS PAR SONY.

[About the service of this model]

PXW-FS7M2K is commodity that packed the Solid-State Memory Camcorder and Interchangeable Lenses. When you repair Interchangeable Lens, refer to the following service manual for the lens model.

Model	Lens
PXW-FS7M2	No supplied lens
PXW-FS7M2K	SELP18110G (E PZ 18-110mm F4 G OSS)

Manual Structure

Purpose of this manual

This manual describes the information items that premise the service based on the components parts assuming use of system and service engineers.

Related manuals

Besides this manual, the following manuals are available.

- Before Using this Unit (Supplied with this unit)
- Operating Guide (CD-ROM) (Supplied with this unit)

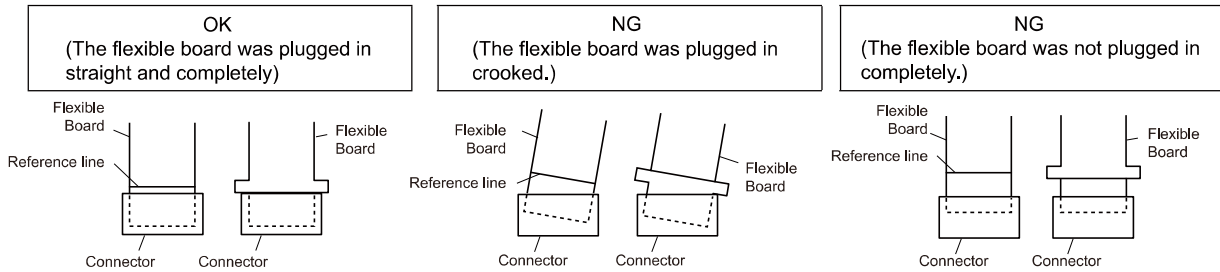
Section 1

Service Note

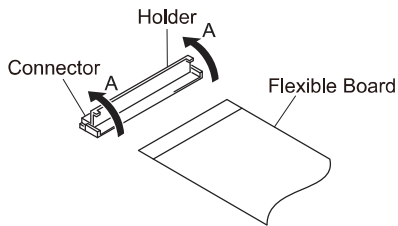
1-1. Operation Notes

1-1-1. Flexible Board

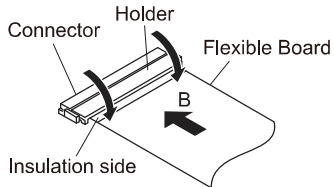
- Make sure that the conductive side of a flexible board does not have any stain or foreign materials.
- Do not touch the conductive side of flexible boards with bare hands.
- Plug in a flexible board straight, fully into the connector until it reaches the end inside.



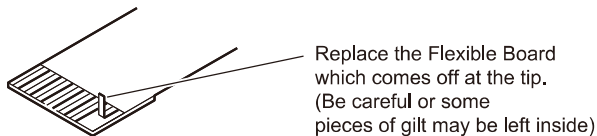
- When opening the connector's holder in direction A, do not open it with excessive force.



- When closing the connector's holder, press it evenly while pushing a flexible board in direction B.



- Make sure that the flat cable and flexible board are not cracked or bent at the contact end.

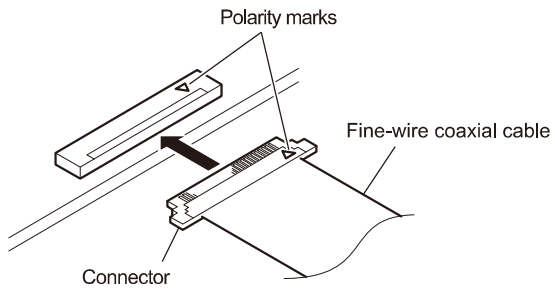


- Do not apply excessive force to the gilded flexible board.

1-1-2. Fine-Wire Coaxial Cable

- The proper way to disconnect a connector is to grab the connector instead of the wires. If you pull on the wires, they might be broken.
- The proper way to connect a connector is to grab the connector instead of the wires. If you push on the wires, they might be broken.

- When installing the connector, insert the connector straight matching the polarity marks.



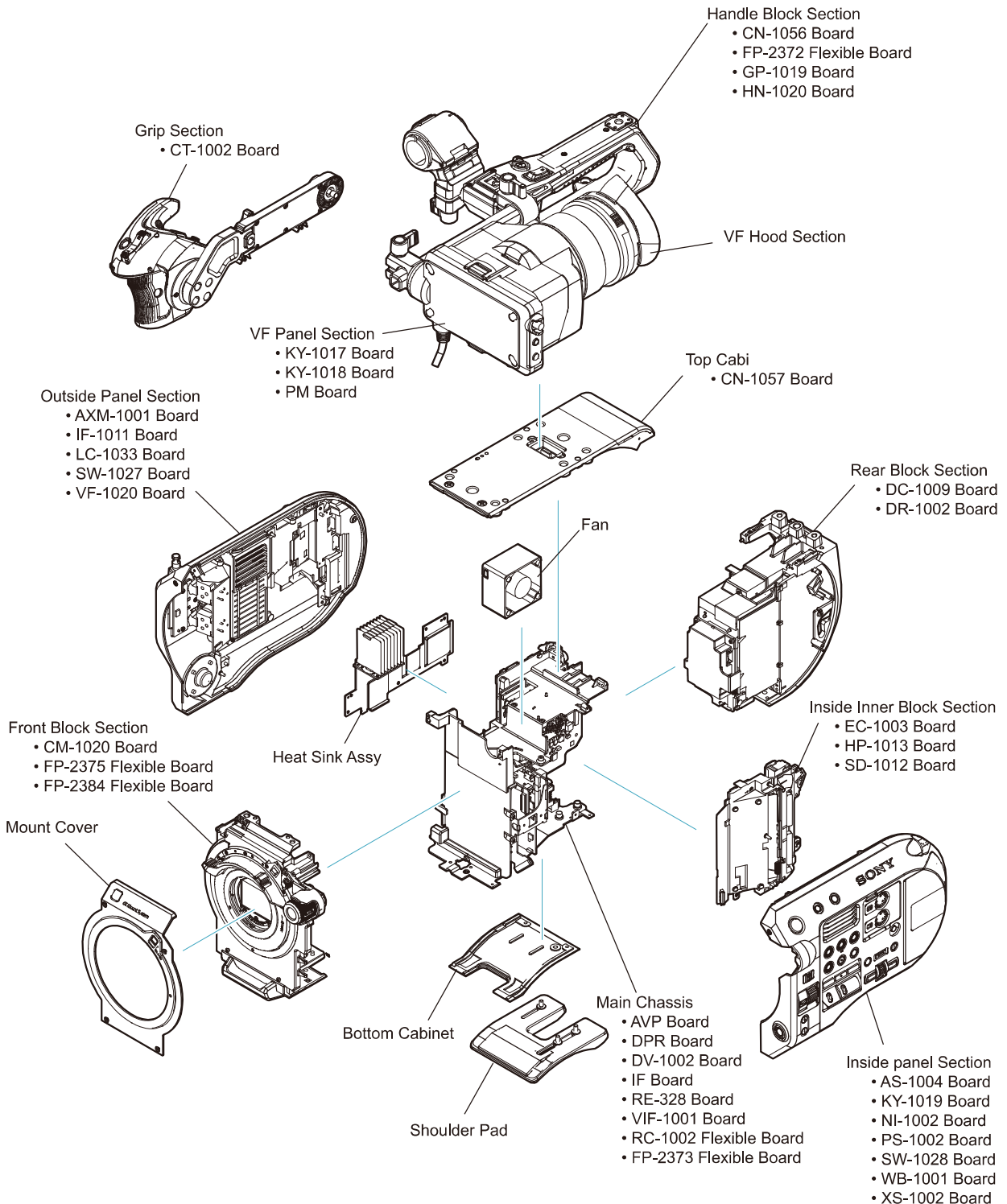
1-2. Power Supply during Repairs

1-2-1. AC power adaptor

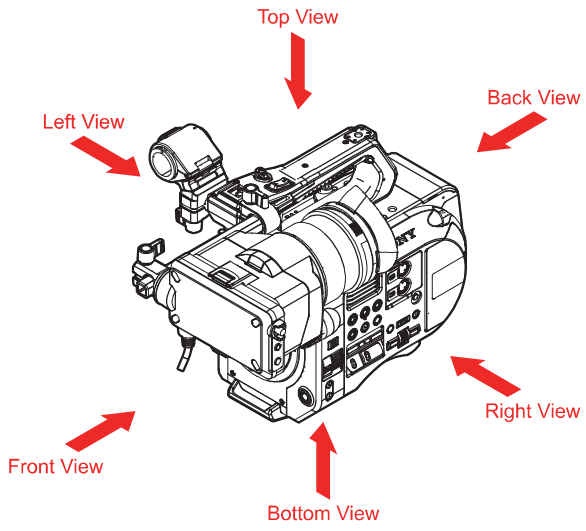
Use the AC power adaptor.

Section 2 Replacement of Main Parts

2-1. Identifying Parts



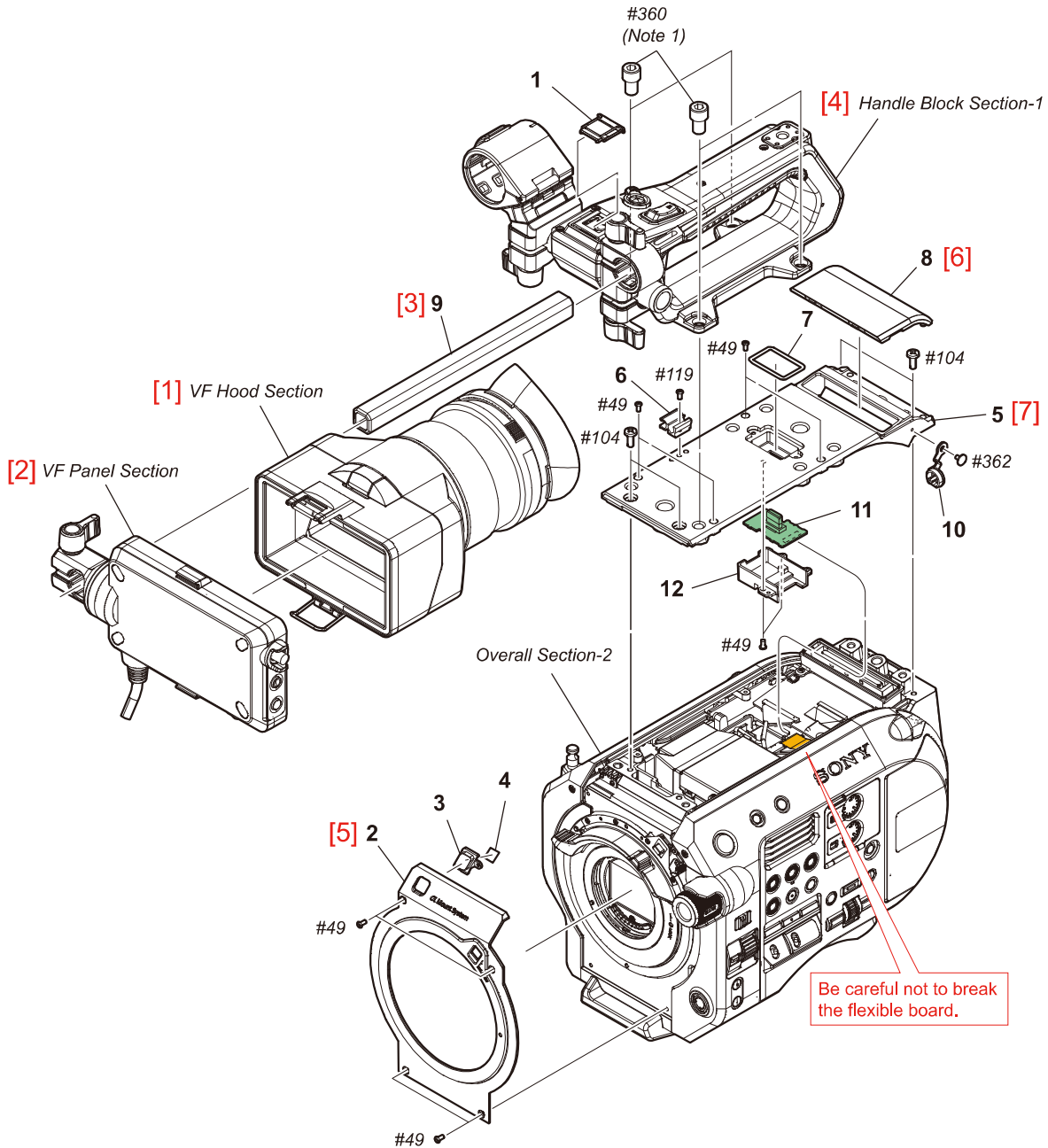
View Position



2-2. Disassembly

2-2-1. Overall Section-1

- Refer to “Overall Section-1” on exploded view for Ref. No.



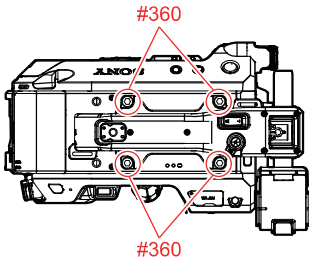
Note 1

When removing/assembling, a hexagonal wrench (3/16 inches) is needed.

Disassembly Places

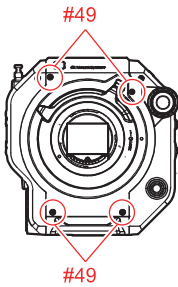
[4]: #360 x 4

Top View



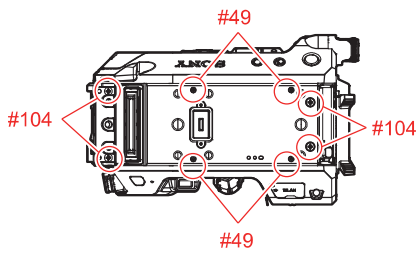
[5]: #49 x 4

Front View



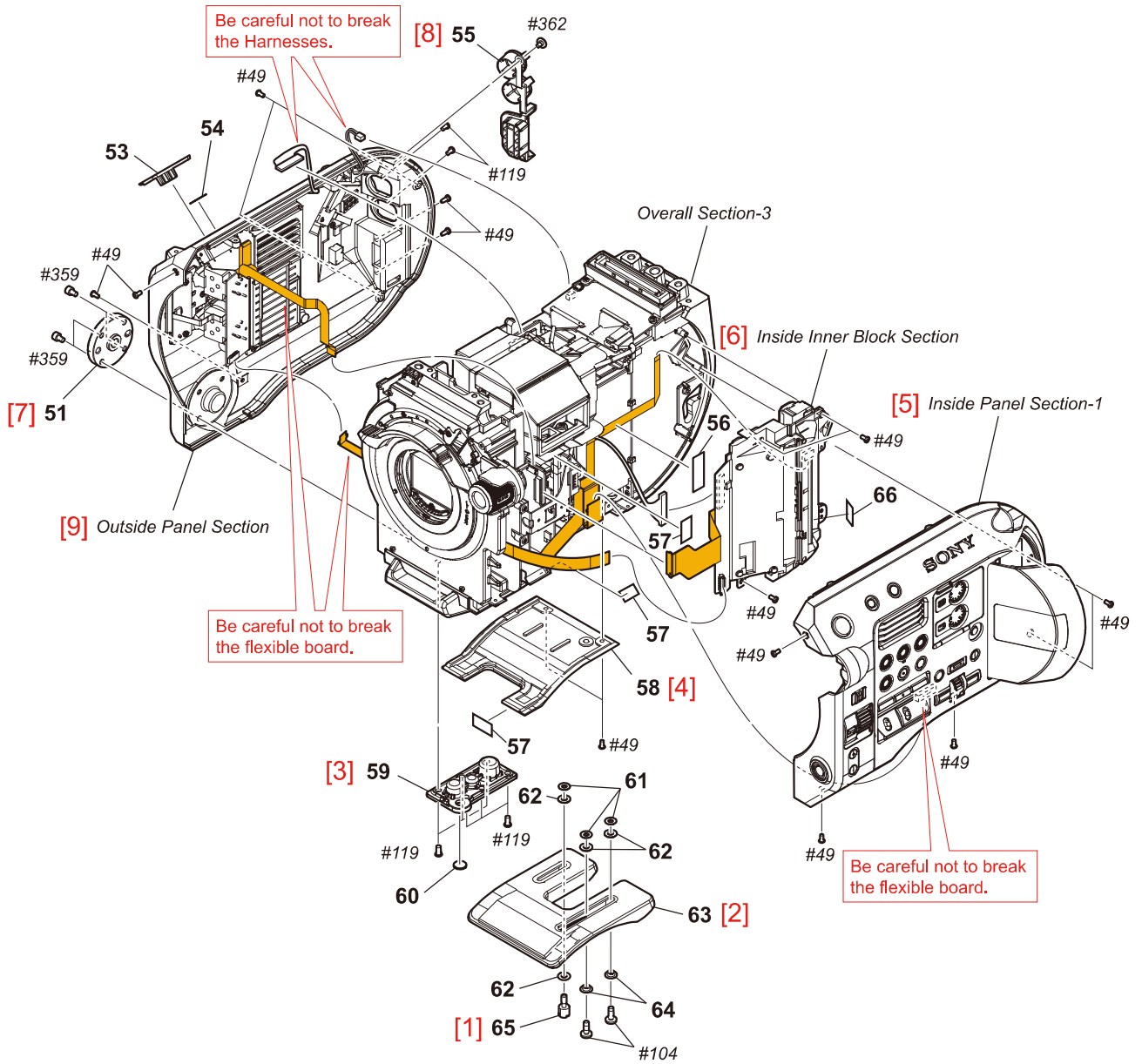
[7]: #104 x 4, #49 x 4

Top View



2-2-2. Overall Section-2

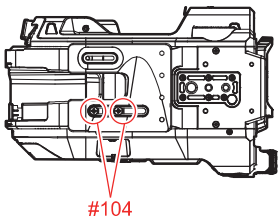
- Refer to "Overall Section-2" on exploded view for Ref. No.



Disassembly Places

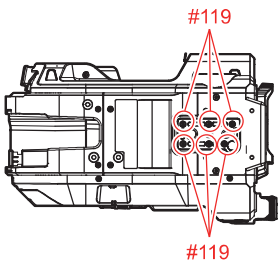
[2]: #104 x 2

Bottom View



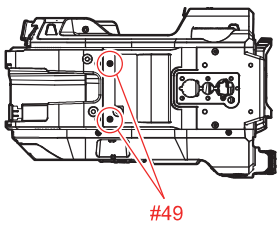
[3]: #119 x 6

Bottom View



[4]: #49 x 2

Bottom View

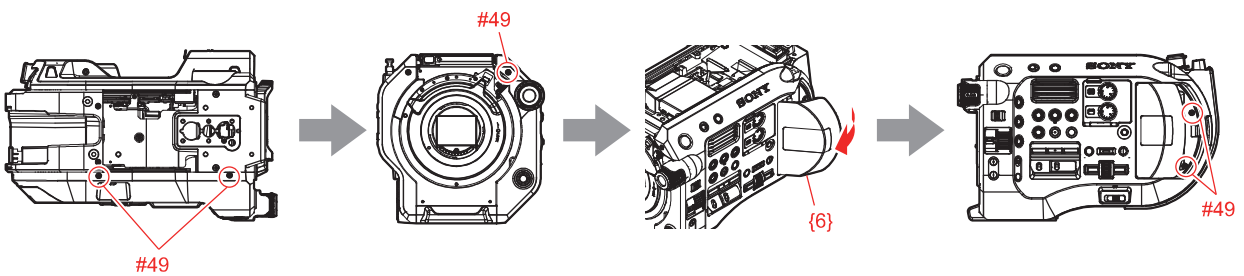


[5]: #49 x 2 → #49 x 1 → Open the Lid {6} → #49 x 2

Bottom View

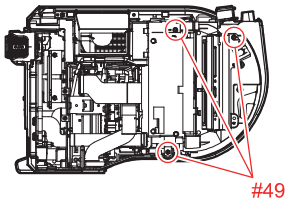
Front View

Right View



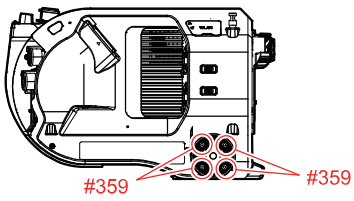
[6]: #49 x 3

Right View



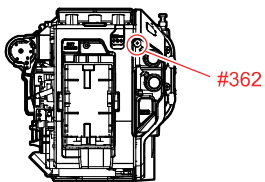
[7]: #359 x 4

Left View



[8]: #362 x 1

Back View

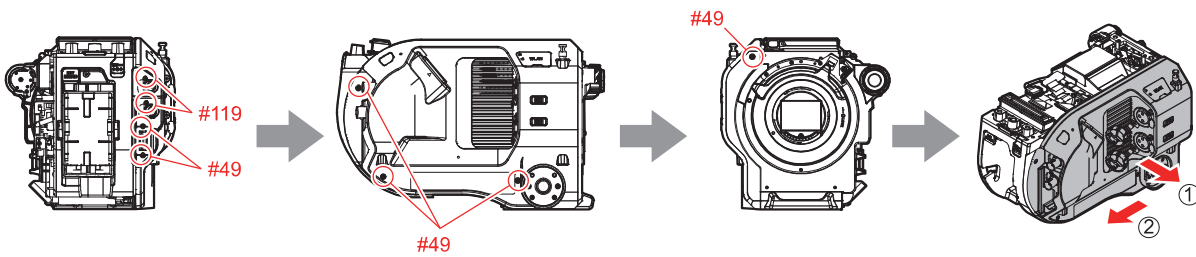


[9]: #119 x 2, #49 x 2 → #49 x 3 → #49 x 1

Back View

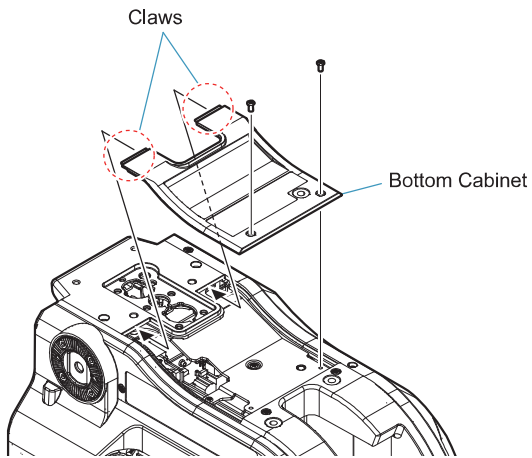
Left View

Front View

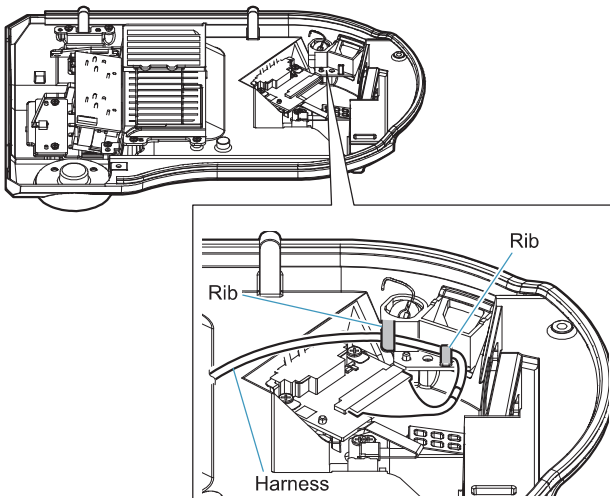


Notes on Assembling the Overall Section-2

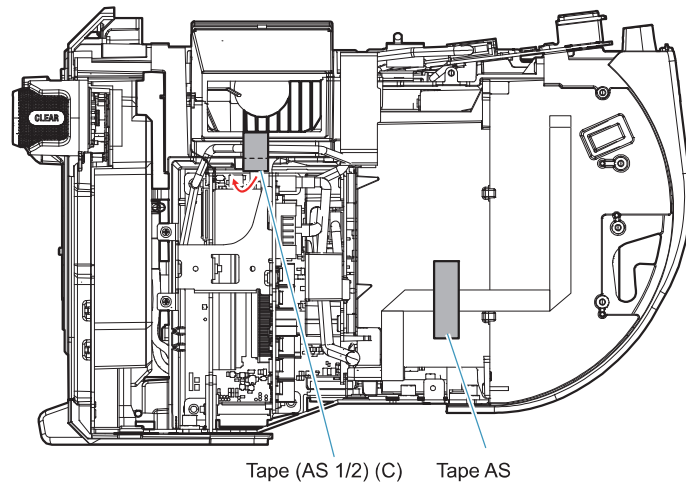
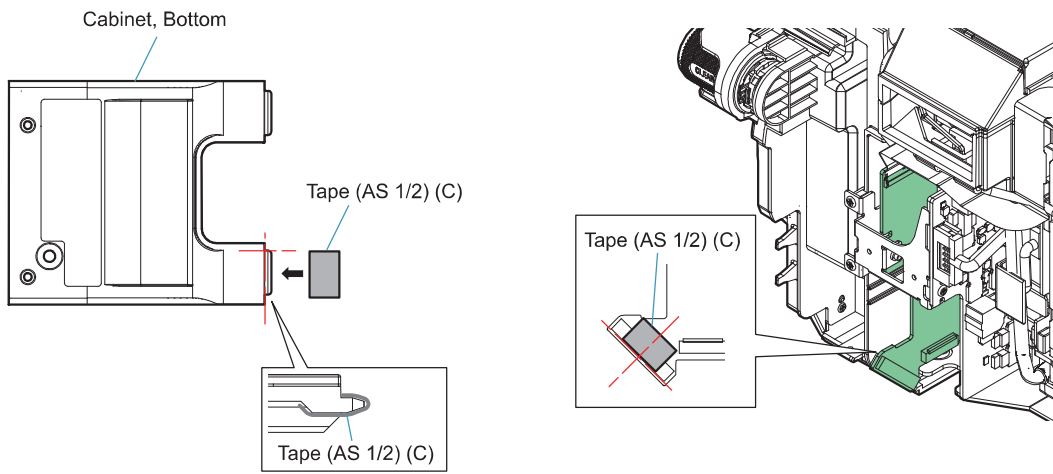
Attaching the Bottom Cabinet



Routing the Harness



Attaching the Tape AS and Tape (AS 1/2)(C)

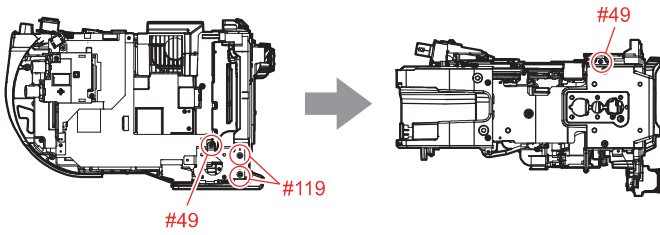


Disassembly Places

[1]: #119 x 2, #49 x 1 → #49 x 1

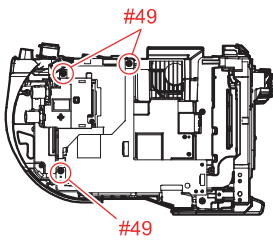
Left View

Bottom View



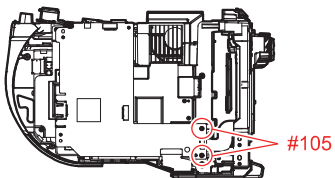
[2]: #49 x 3

Left View



[3]: #105 x 2

Left View

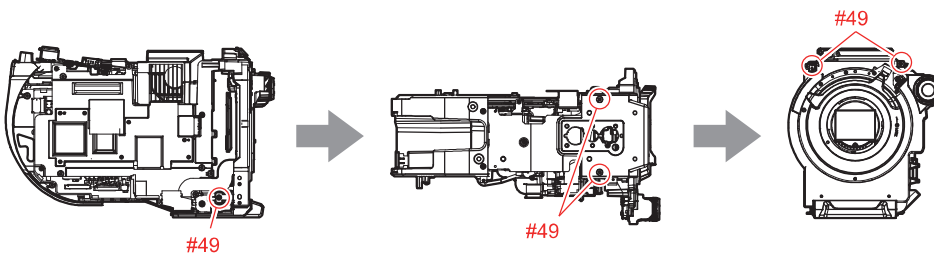


[4]: #49 x 1 → #49 x 2 → #49 x 2

Left View

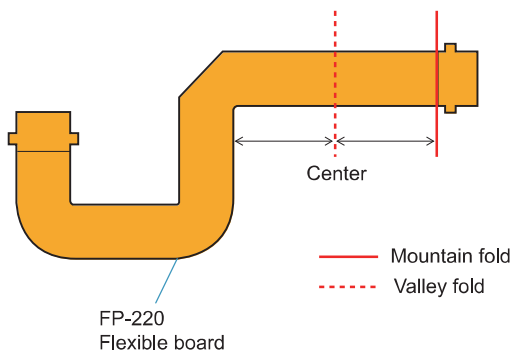
Bottom View

Front View

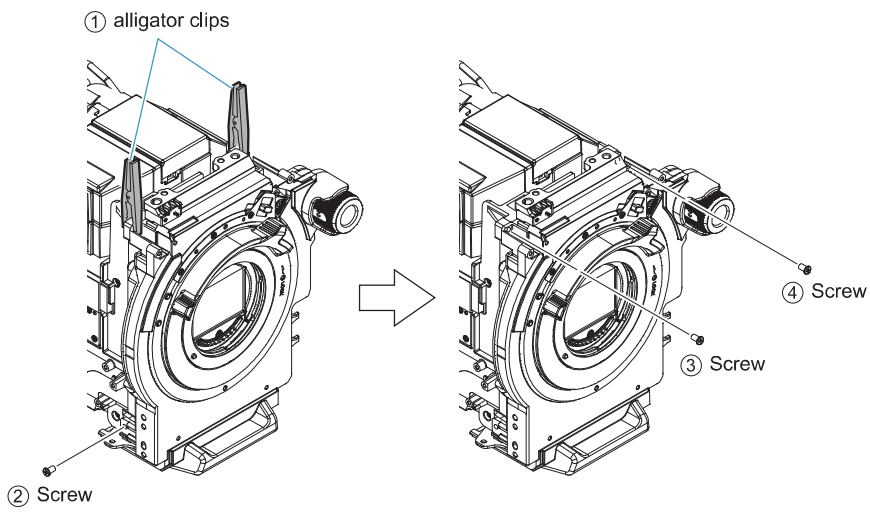


Notes on Assembling the Overall Section-3

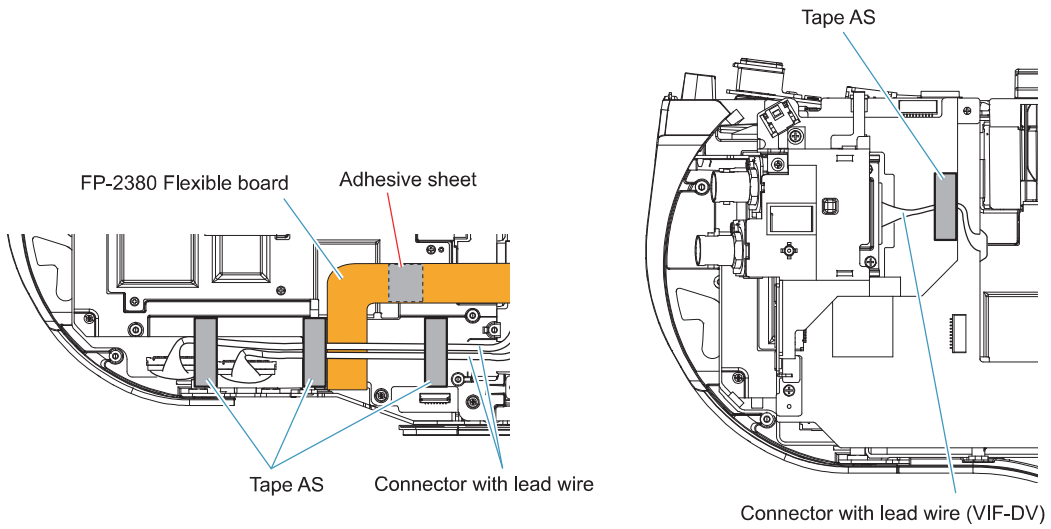
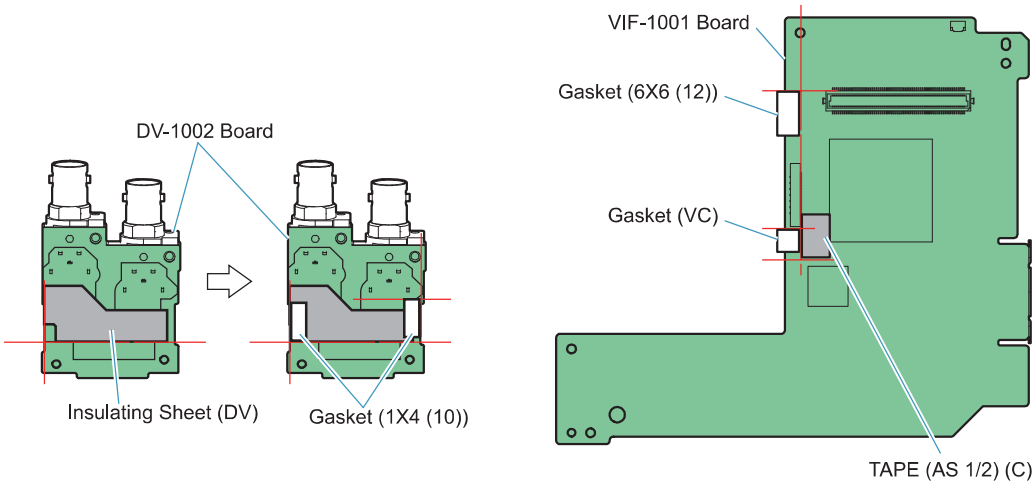
Arranging the Flexible Board



Attaching the Front panel Block

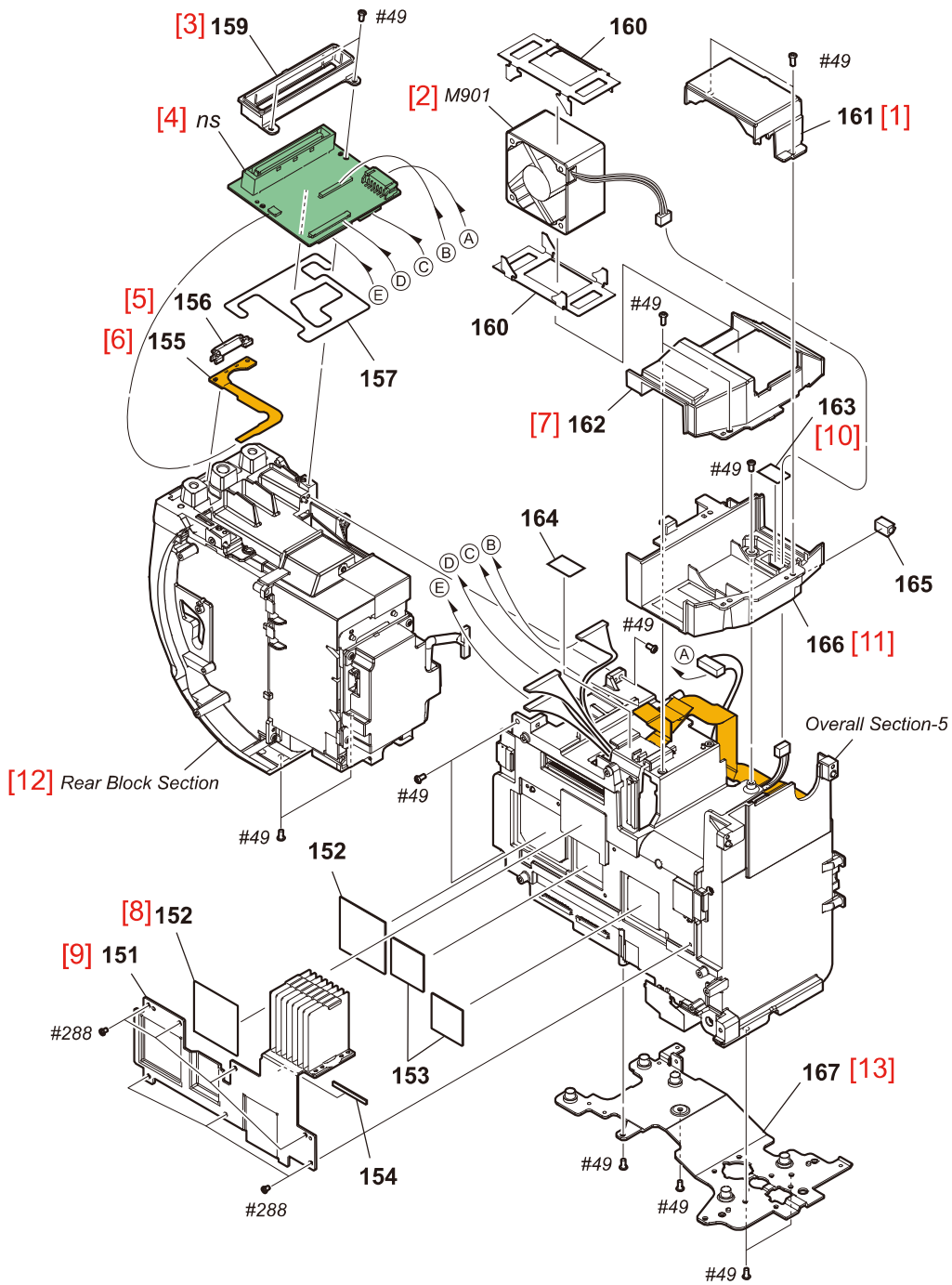


Attaching the TAPE and Gasket



2-2-4. Overall Section-4

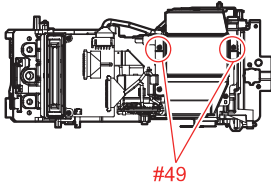
- Refer to "Overall Section-4" on exploded view for Ref. No.



Disassembly Places

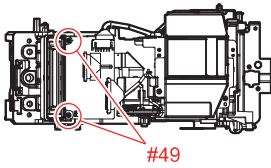
[1]: #49 x 2

Top View



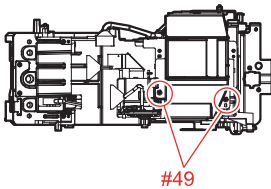
[3]: #49 x 2

Top View



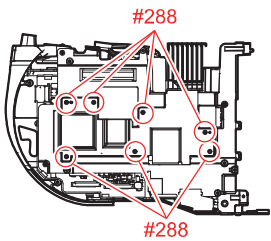
[7]: #49 x 2

Top View



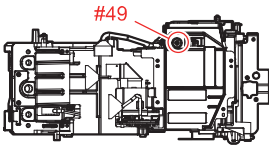
[9]: #288 x 7

Left View



[11]: #49 x 1

Top View

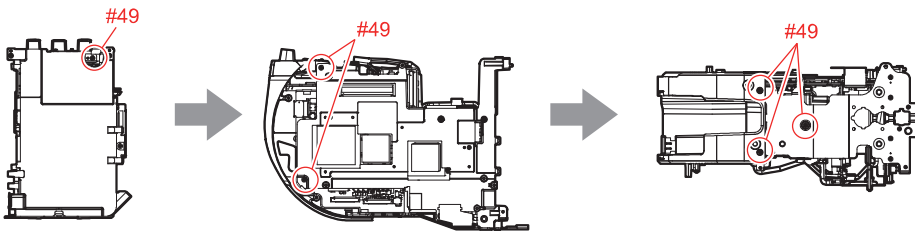


[12]: #49 x 1 → #49 x 2 → #49 x 3

Front View

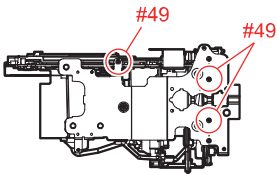
Left View

Bottom View



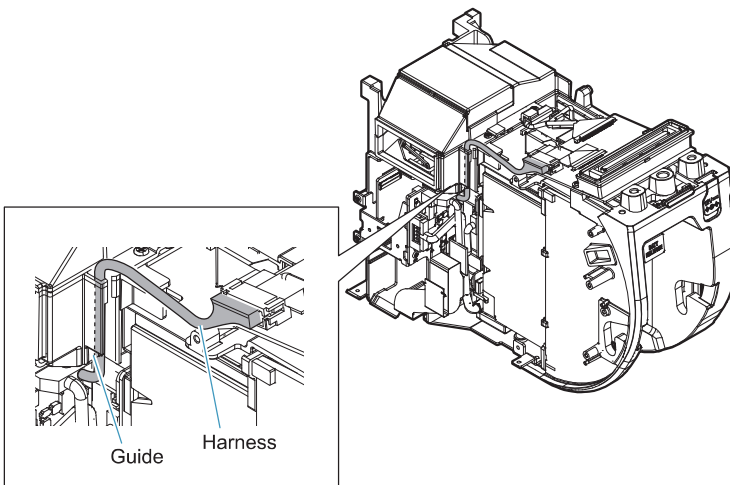
[13]: #49 x 3

Bottom View

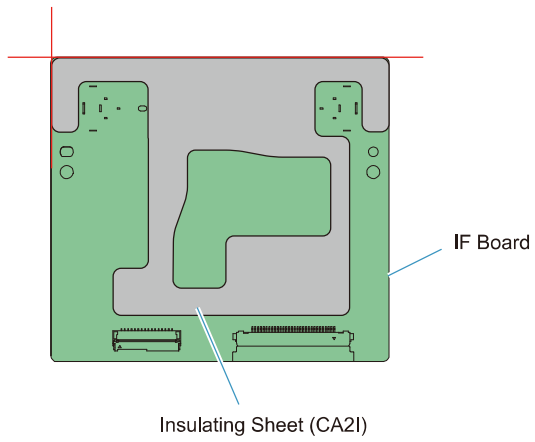


Notes on Assembling the Overall Section-4

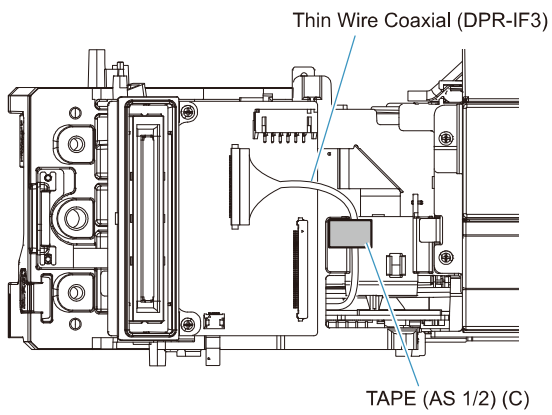
Routing the Harness



Attaching the Insulating Sheet (CA2I)

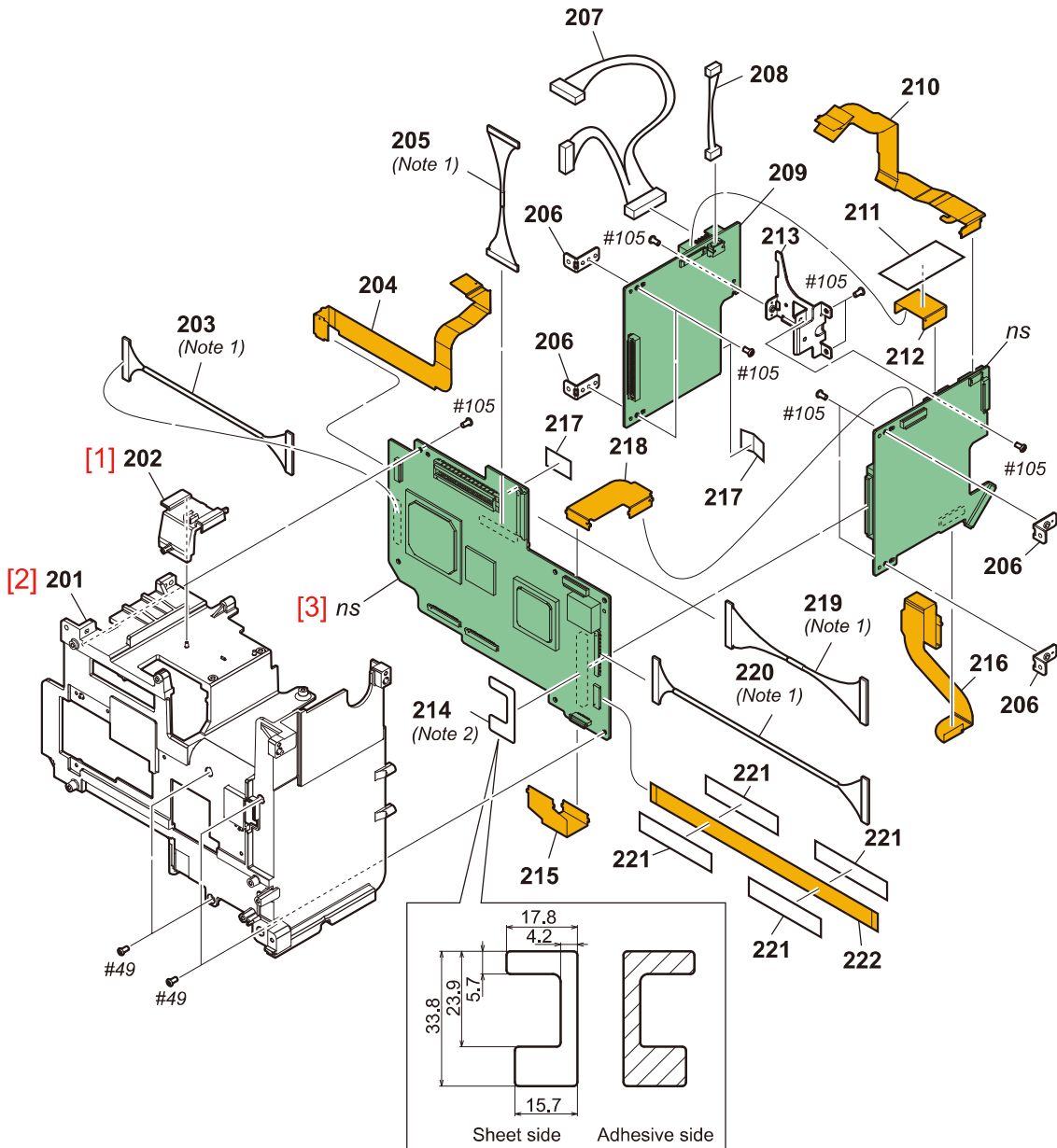


Attaching the Tape (AS 1/2)(C)



2-2-5. Overall Section-5

- Refer to "Overall Section-5" on exploded view for Ref. No.



Note 1

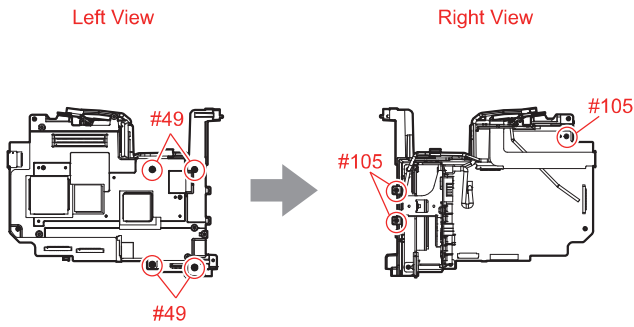
When installing, insert the connector straight matching the polarity marks.

Note 2

Use this to cut or splice so that it becomes the designated size.

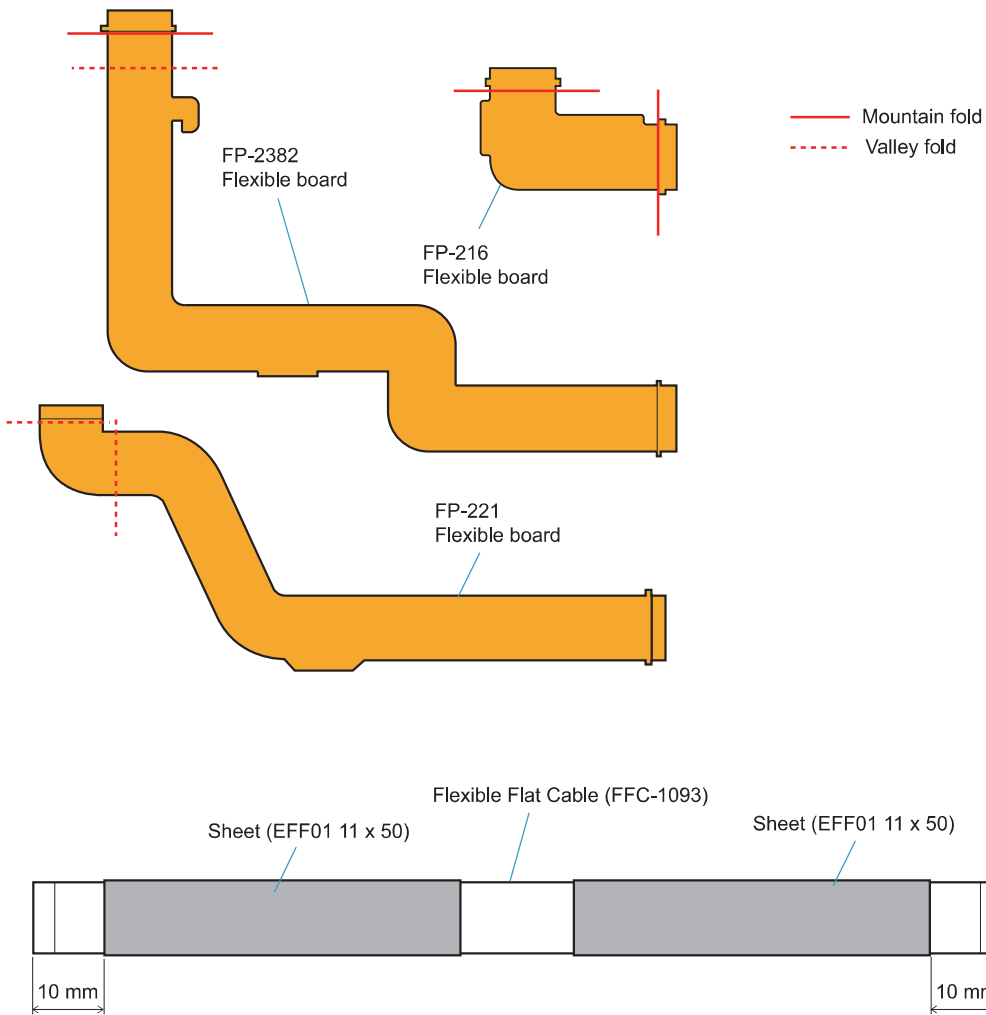
Disassembly Places

[2]: #49 x 4 → #105 x 3

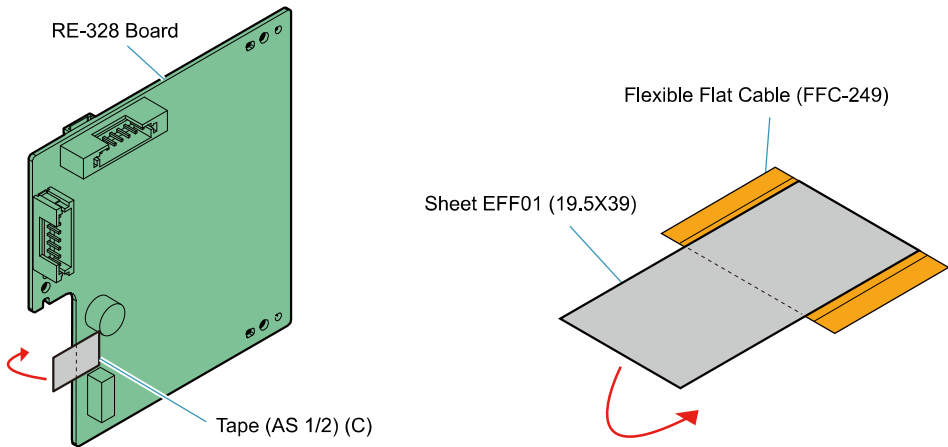
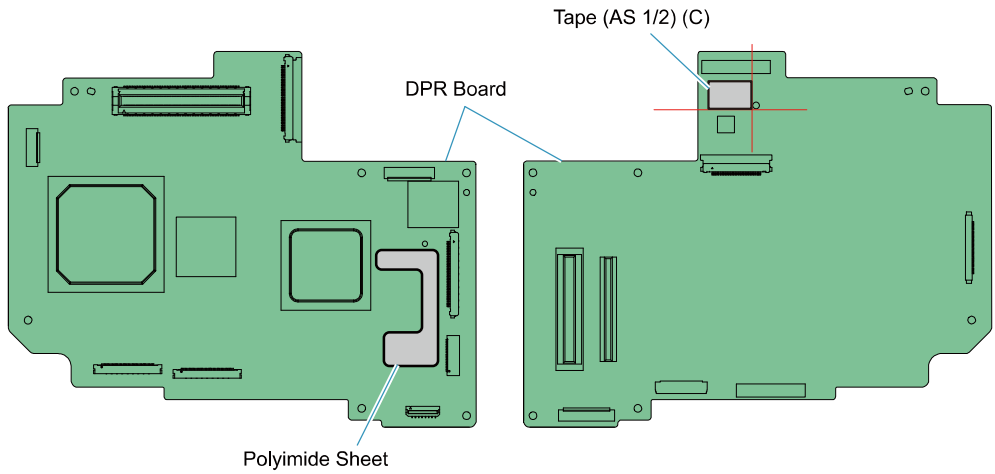


Notes on Assembling the Overall Section-5

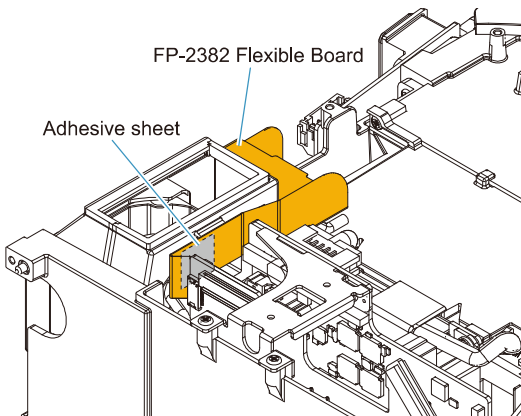
Arranging the Flexible Boards and Flexible Flat Cable (FFC-1093)



Attaching the Polyimide Sheet, Tape (AS 1/2)(C) and Sheet EFF01 (19.5X39)

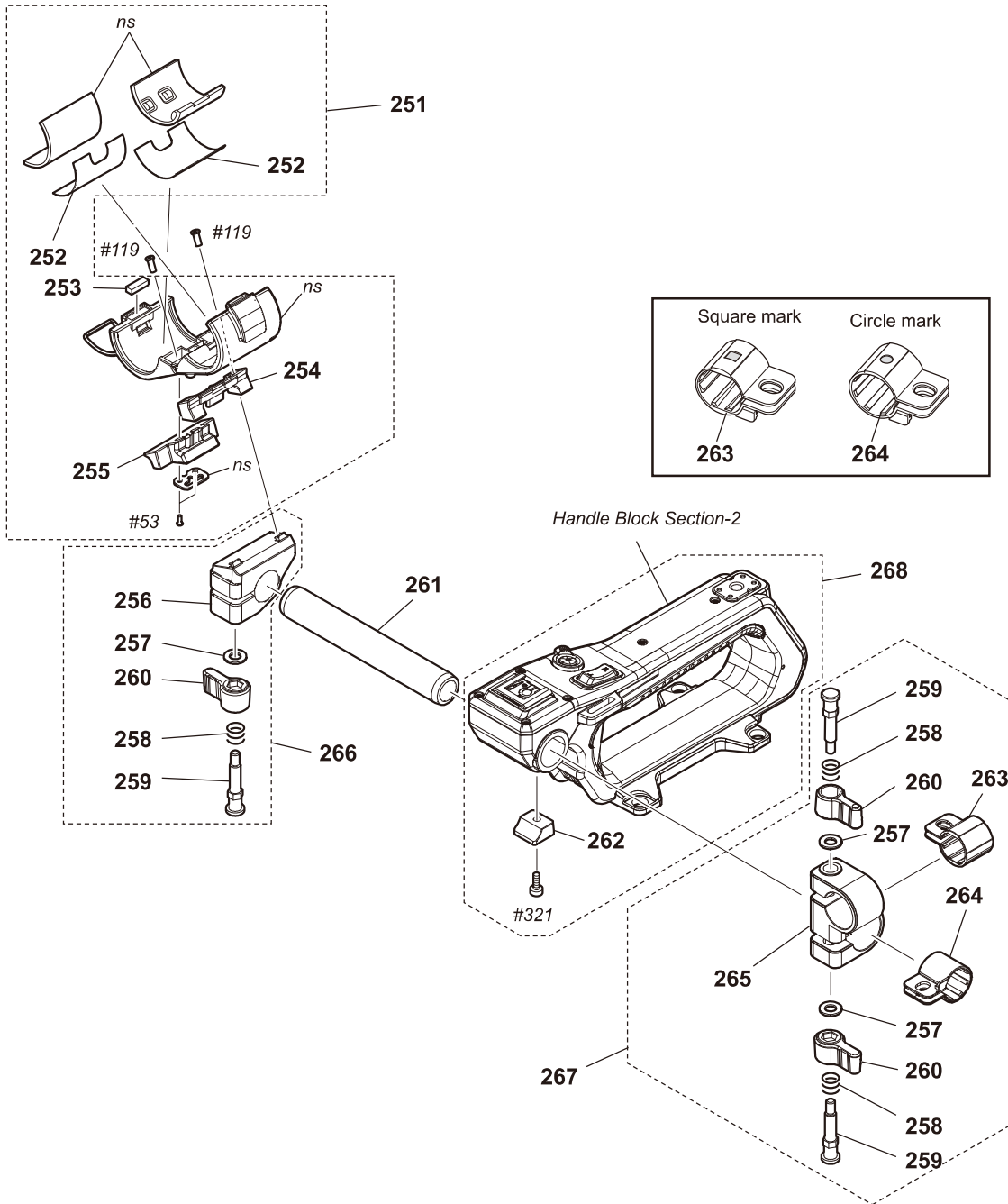


Attaching the FP-2382 Flexible Board



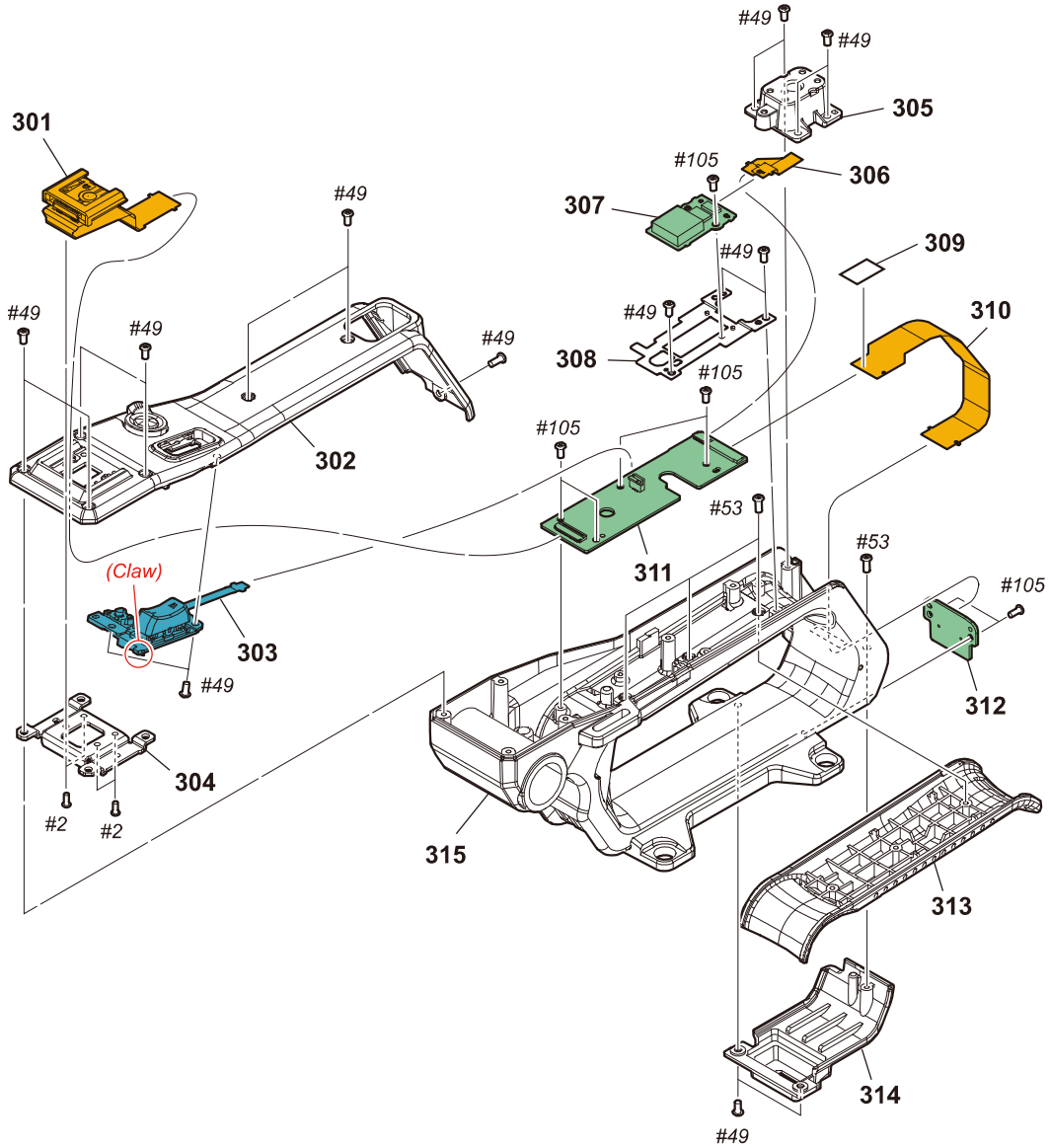
2-2-6. Handle Block Section-1

- Refer to "Handle Block Section-1" on exploded view for Ref. No.



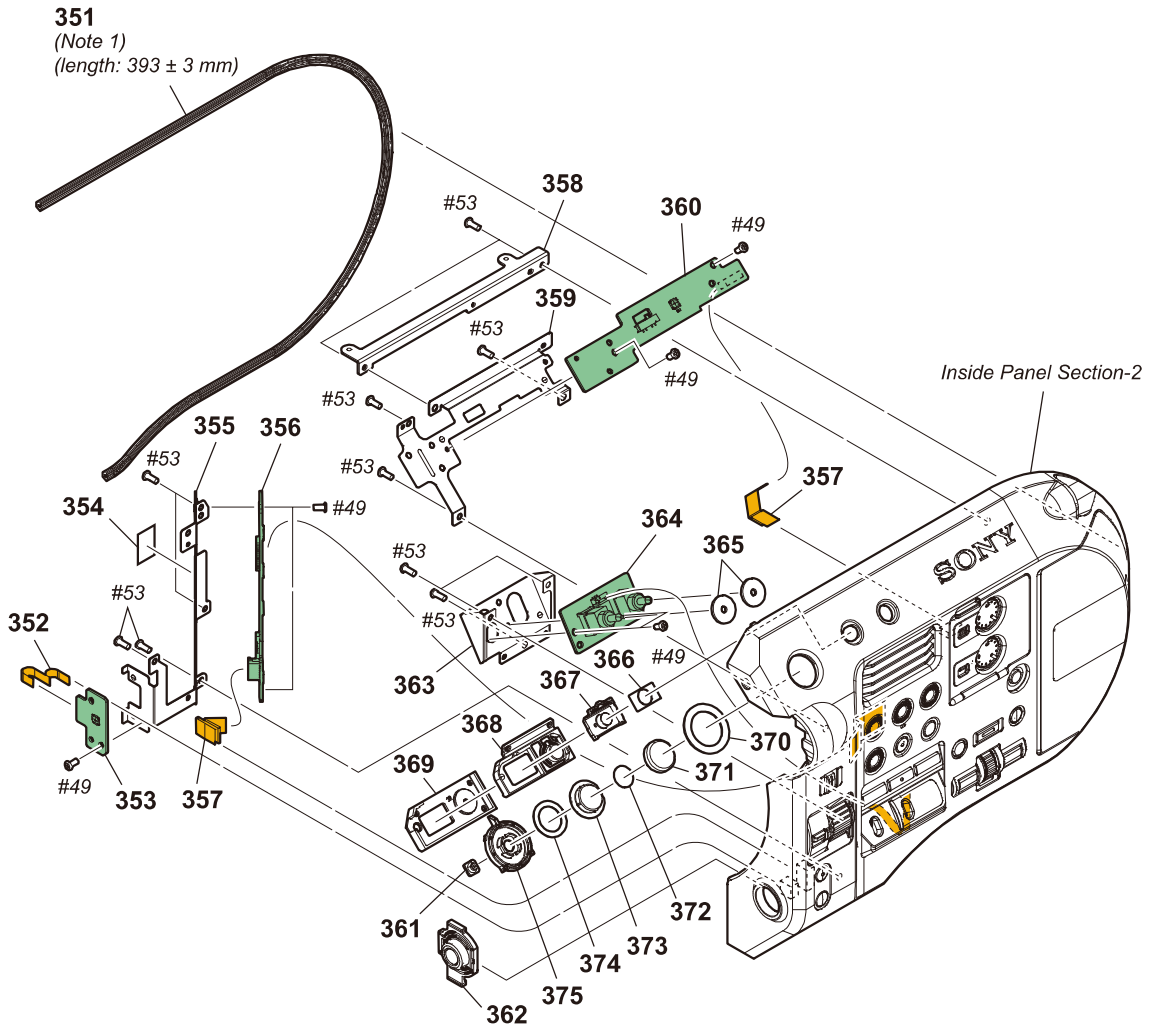
2-2-7. Handle Block Section-2

- Refer to “Handle Block Section-2” on exploded view for Ref. No.



2-2-8. Inside Panel Section-1

- Refer to "Inside Panel Section-1" on exploded view for Ref. No.

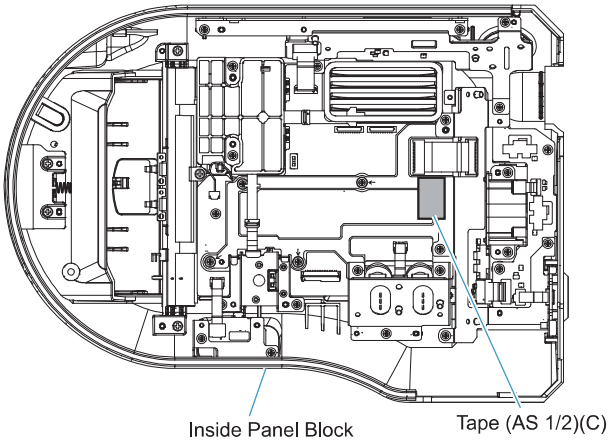


Note 1

Use this to cut or splice so that it becomes the designated size.

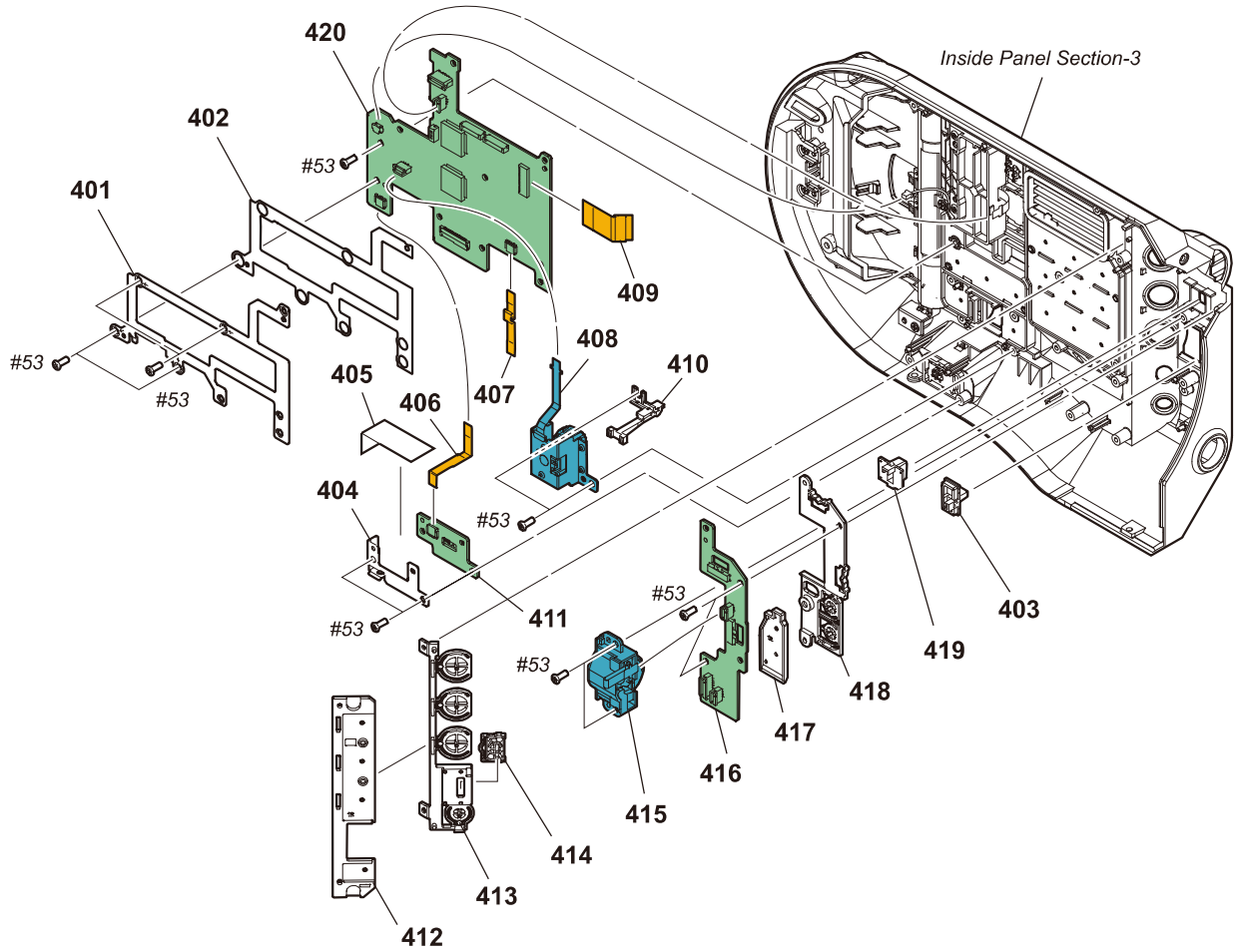
Notes on Assembling the Inside Panel Section-1

Attaching the Tape (AS 1/2)(C)



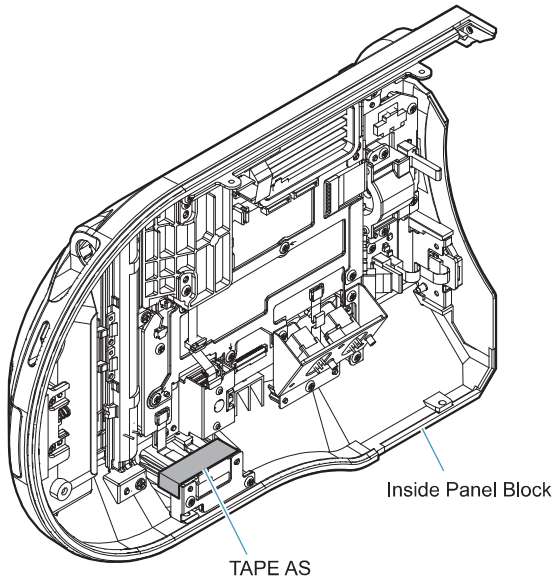
2-2-9. Inside Panel Section-2

- Refer to “[Inside Panel Section-2](#)” on exploded view for Ref. No.



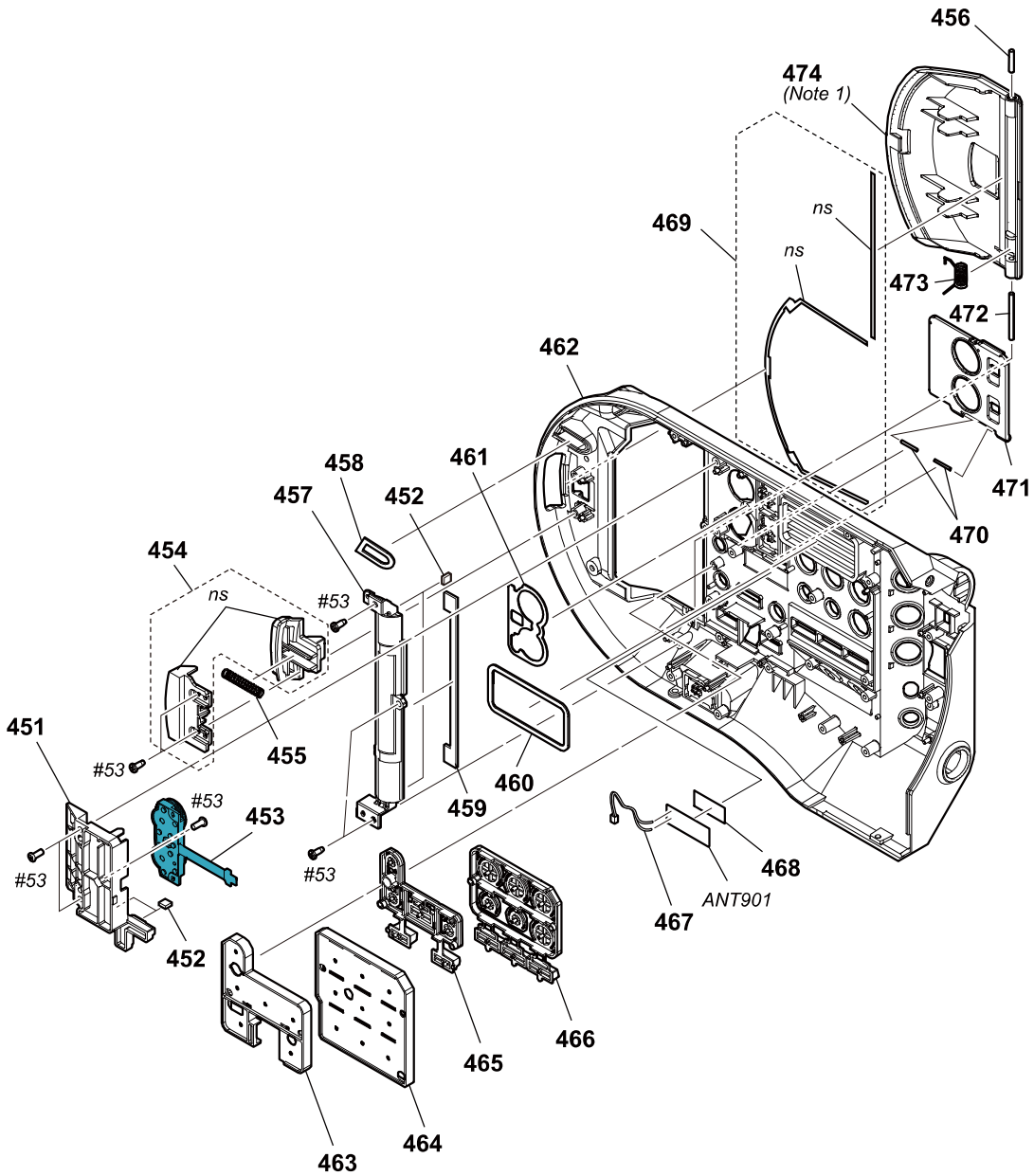
Notes on Assembling the Inside Panel Section-2

Attaching the Tape AS



2-2-10. Inside Panel Section-3

- Refer to “[Inside Panel Section-3](#)” on exploded view for Ref. No.

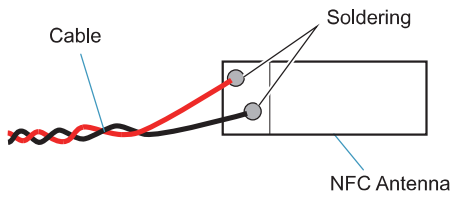


Note 1

When disassembling, remove the Cover Shaft A (Ref. No.: 456) first.
When assembling, attach the Cover Shaft A (Ref. No.: 456) later.

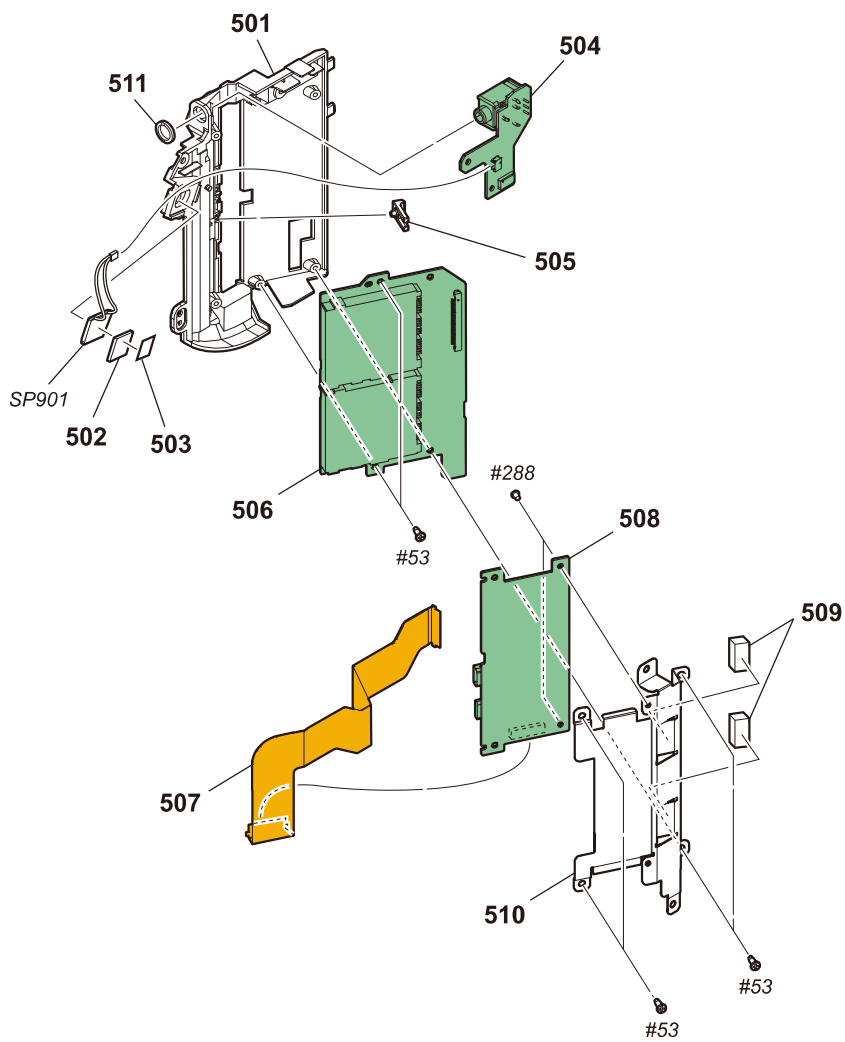
Notes on Assembling the Inside Panel Section-3

Attaching the Cable to the NFC Antenna



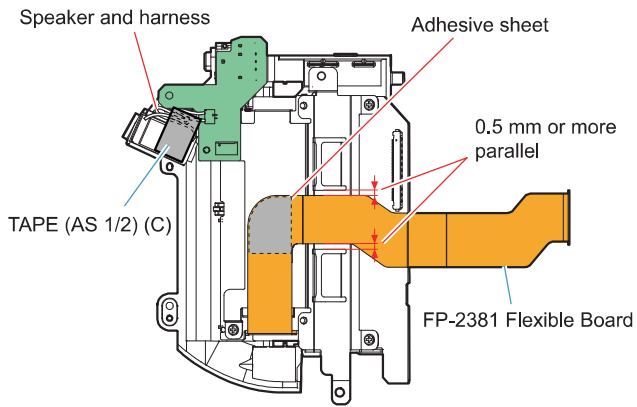
2-2-11. Inside Inner Block Section

- Refer to “Inside Inner Block Section” on exploded view for Ref. No.



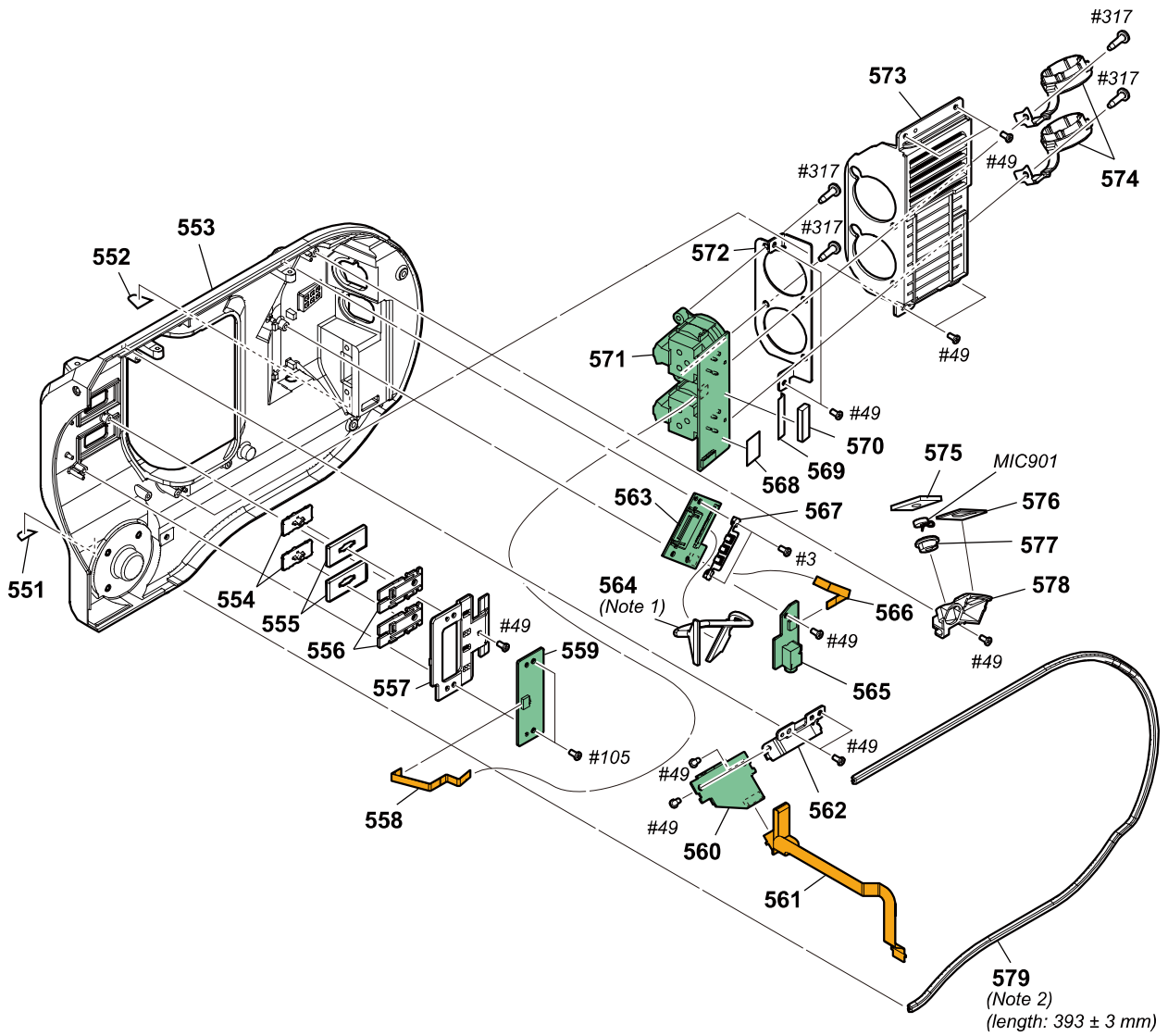
Notes on Assembling the Inside Inner Block Section

Attaching the Tape (AS 1/2)(C) and FP-2381 Flexible Board



2-2-12. Outside Panel Section

- Refer to “Outside Panel Section” on exploded view for Ref. No.



Note 1

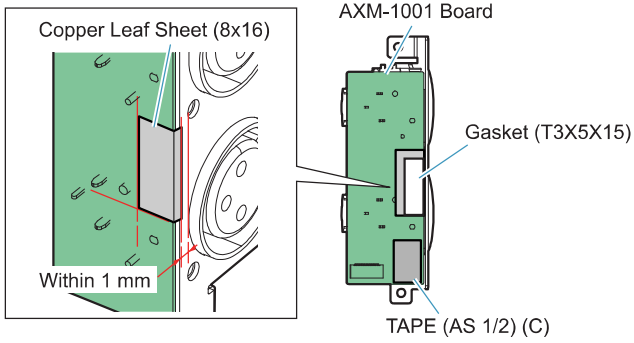
When installing, insert the connector straight matching the polarity marks.

Note 2

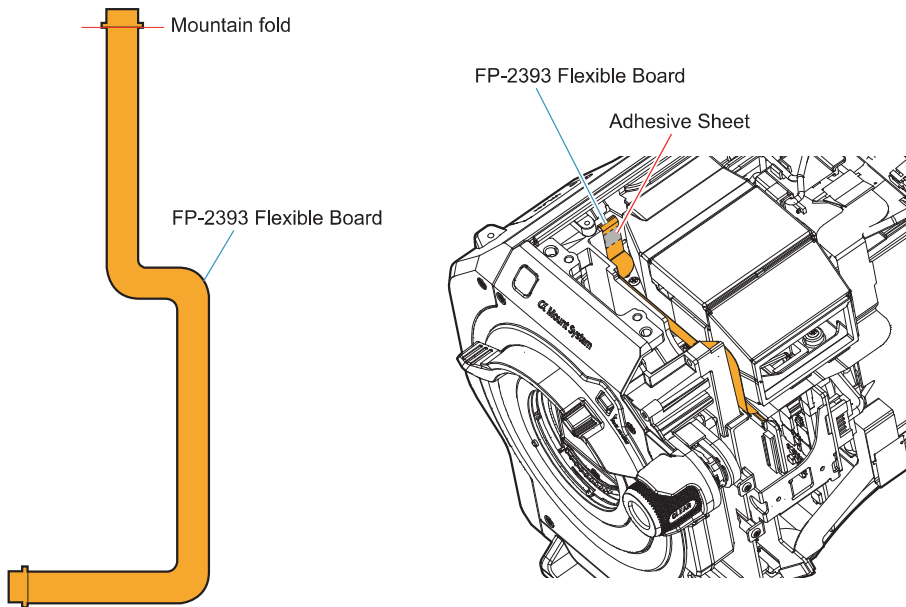
Use this to cut or splice so that it becomes the designated size.

Notes on Assembling the Outside Panel Section

Attaching the Tape (AS 1/2)(C), Copper Leaf Sheet (8X16) and Gasket (T3X5X15)

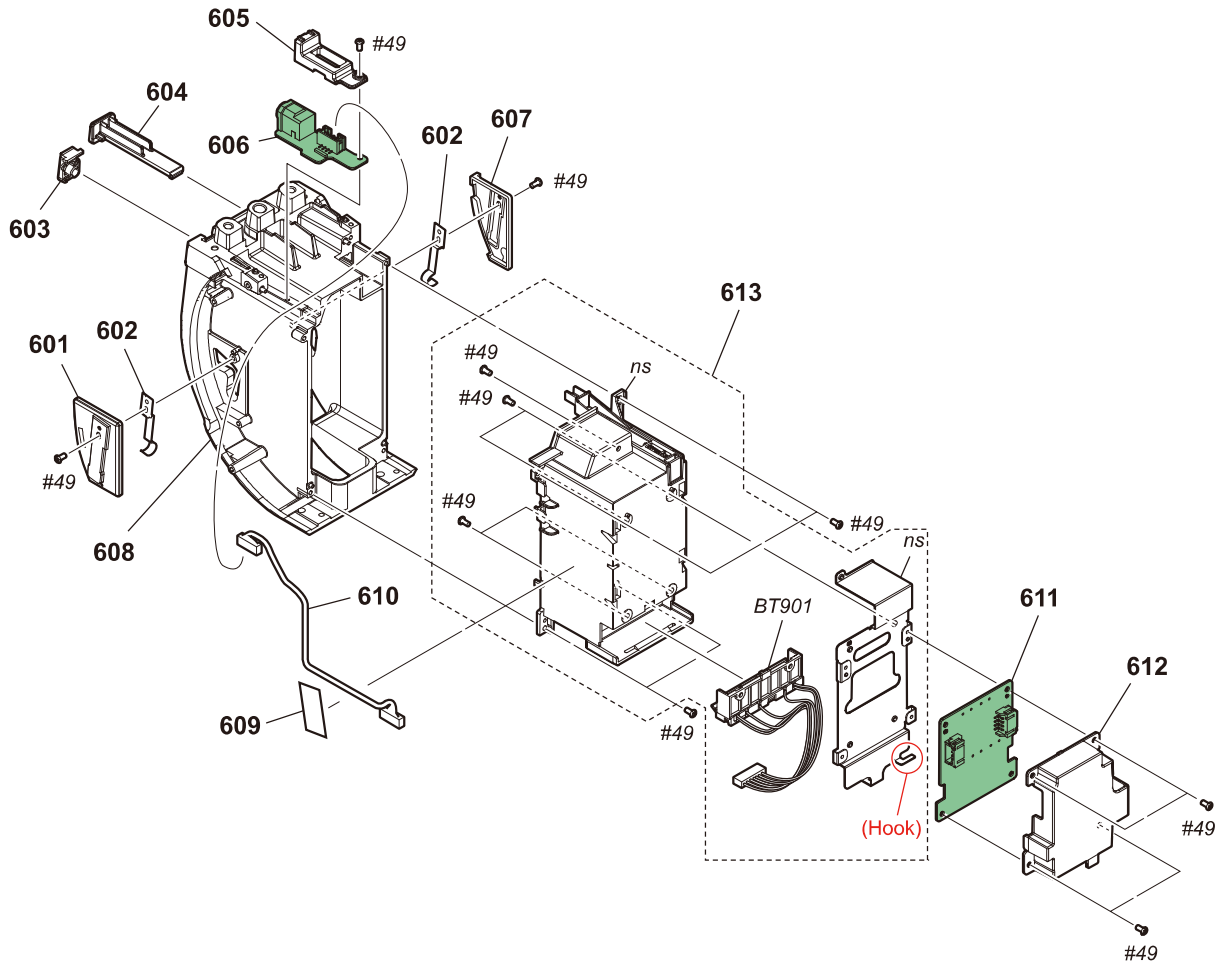


Attaching the FP-2393 Flexible Board



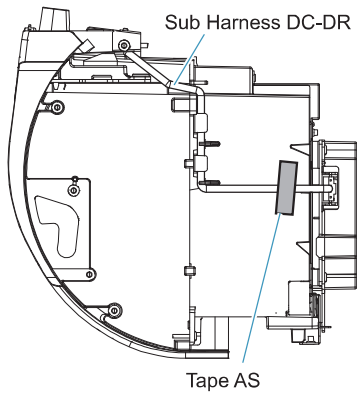
2-2-13. Rear Block Section

- Refer to “Rear Block Section” on exploded view for Ref. No.



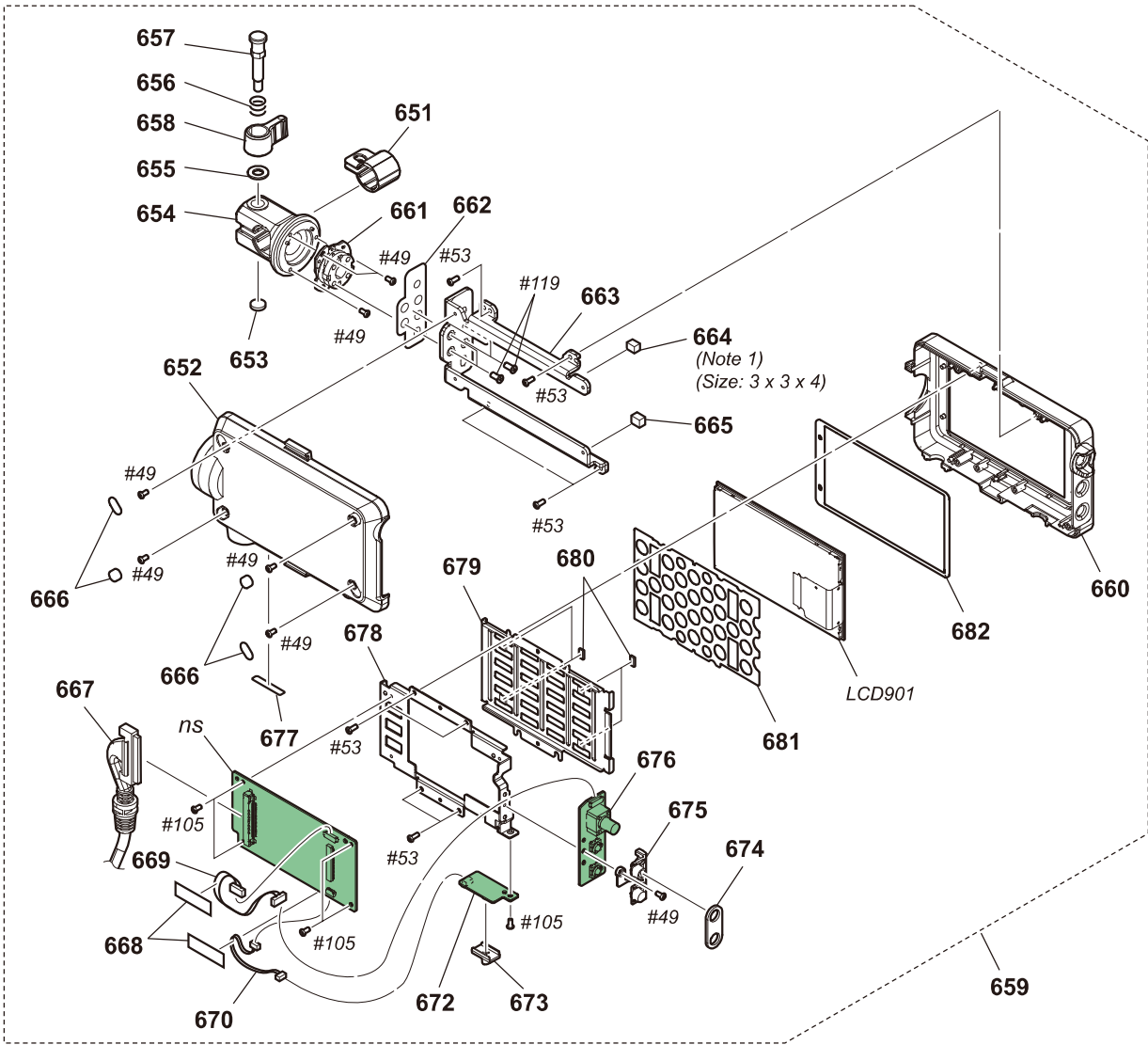
Notes on Assembling the Rear Block Section

Attaching the Tape AS



2-2-14. VF Panel Section

- Refer to “VF Panel Section” on exploded view for Ref. No.

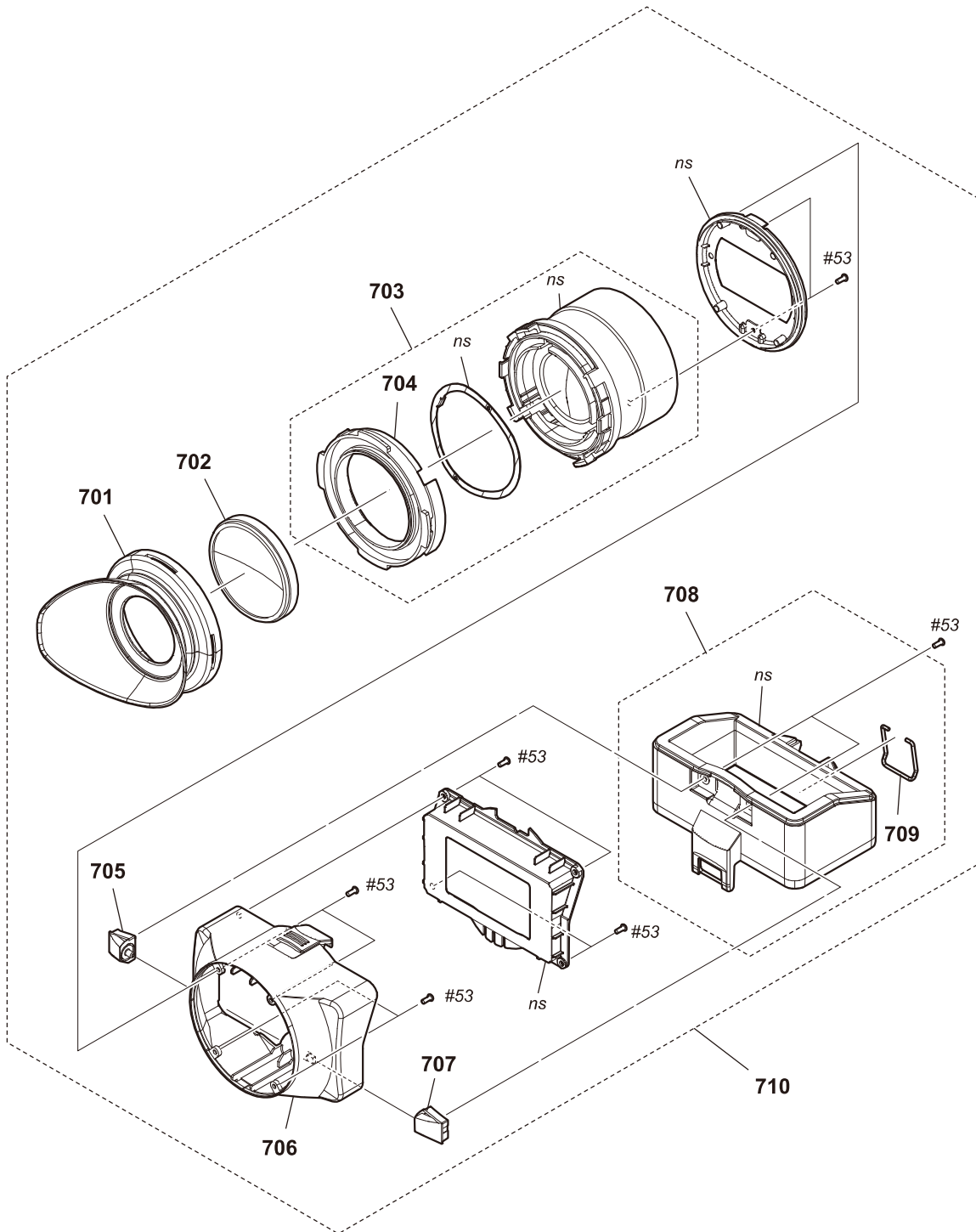


Note 1

Use this to cut or splice so that it becomes the designated size.

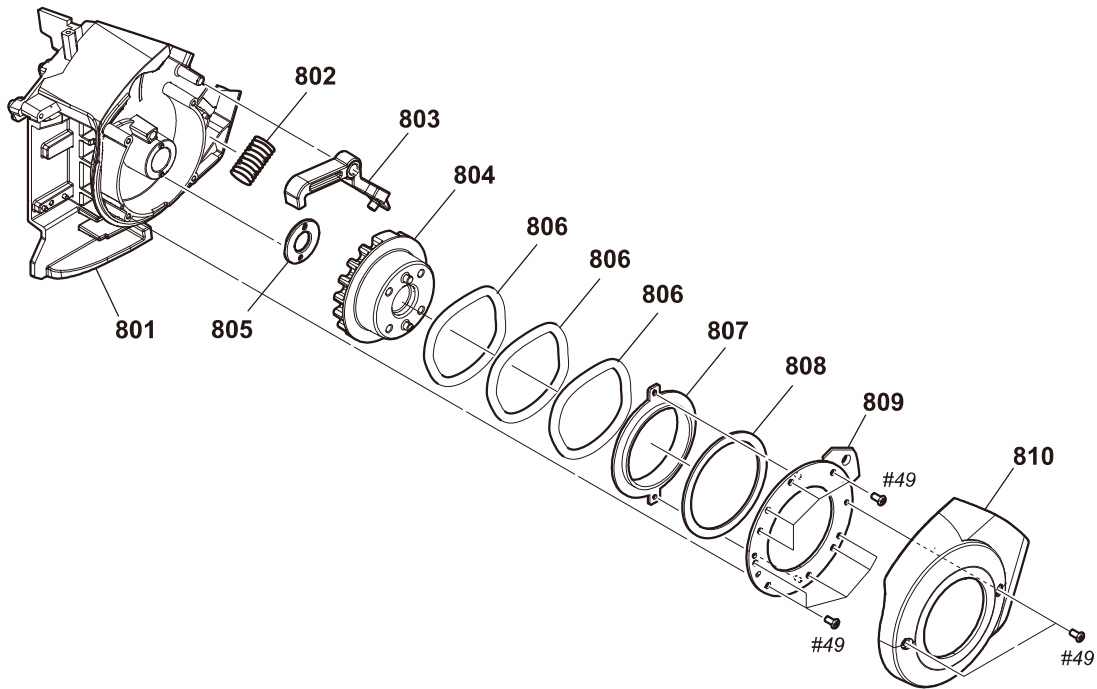
2-2-15. VF Hood Section

- Refer to “VF Hood Section” on exploded view for Ref. No.



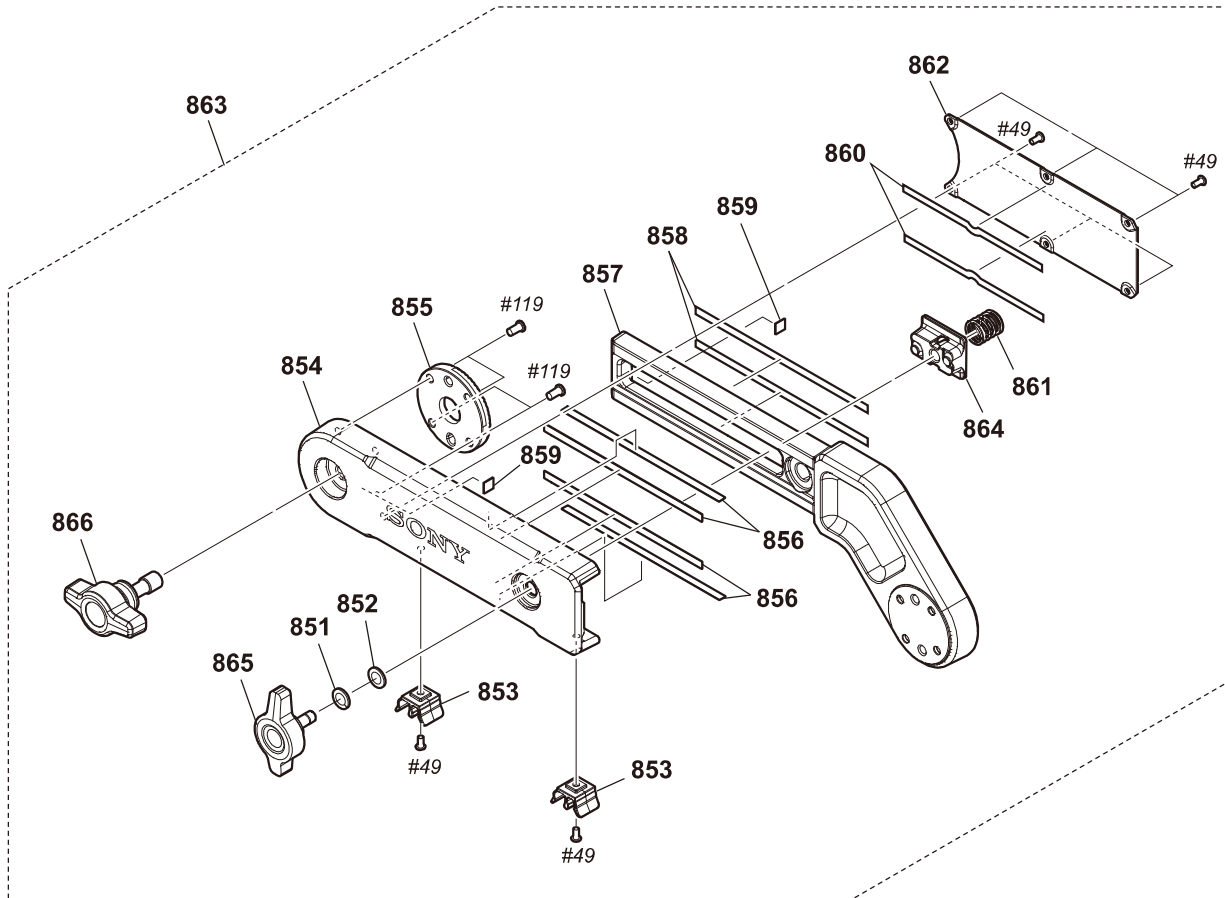
2-2-17. Grip Section-2

- Refer to "Grip Section-2" on exploded view for Ref. No.



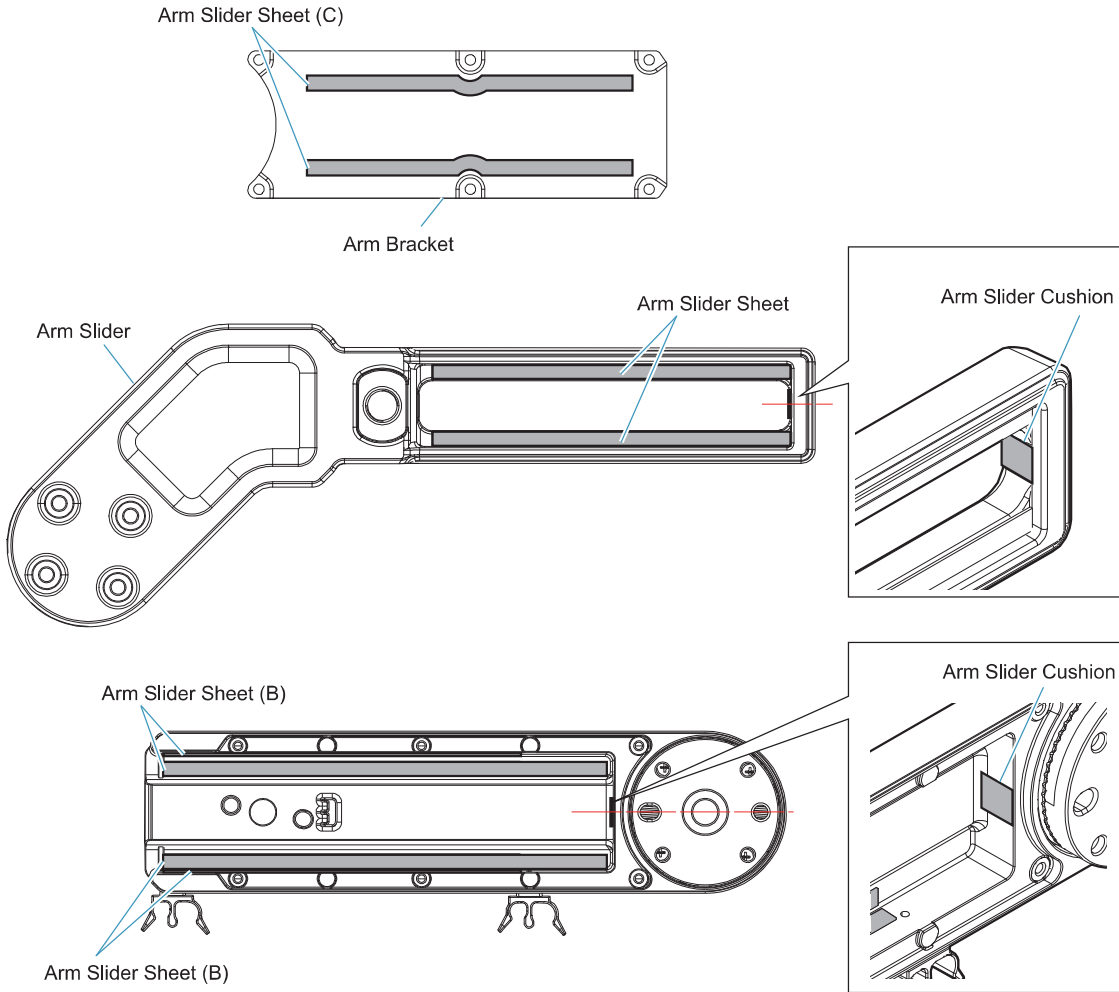
2-2-18. Grip Section-3

- Refer to “Grip Section-3” on exploded view for Ref. No.



Notes on Assembling the Grip Section-3

Attaching the Arm Slider Sheet (B), Arm Slider Sheet, Arm Slider Cushion and Arm Slider Sheet (C)



Section 3

Repair Parts List

3-1. Note on Repair Parts

NOTE:

- -XX, -X mean standardized parts, so they may have some differences from the original one.
- Items marked "*" are not stocked since they are seldom required for routine service. Some delay should be anticipated when ordering these items.
- The mechanical parts with no reference number in the exploded views are not supplied.
- Due to standardization, replacements in the parts list may be different from the parts specified in the diagrams or the components used on the set.
- ns: Not supplied part.

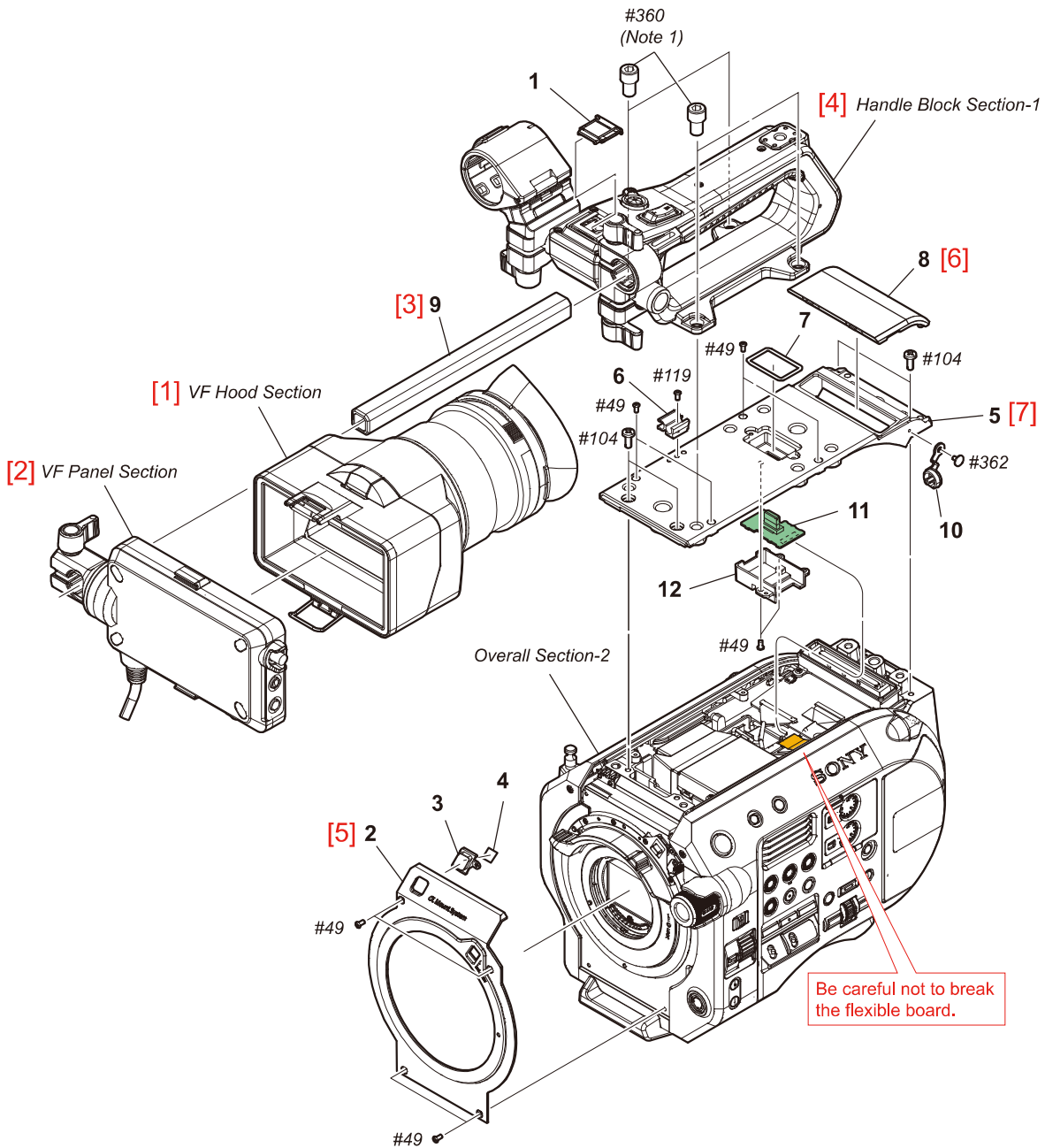
The components identified by mark \triangle or dotted line with mark \triangle are critical for safety.
Replace only with part number specified.

Les composants identifiés par une marque \triangle sont critiques pour la sécurité.
Ne les remplacer que par une pièce portant le numéro spécifié.

- Color Indication of Appearance Parts
Example:
(SILVER) : Cabinet's Color
(Silver) : Parts Color

3-2. Exploded View

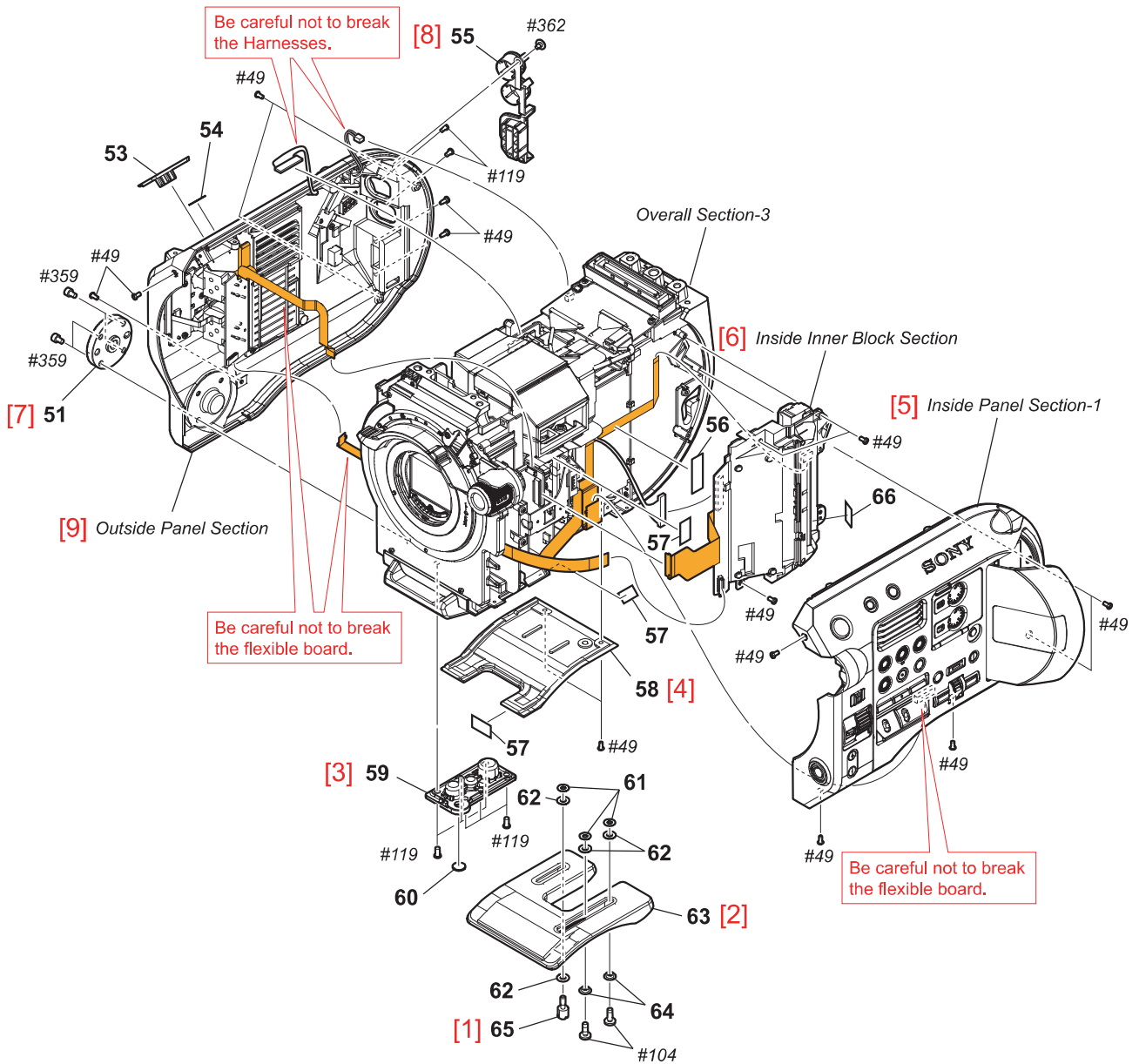
Overall Section-1



Ref. No. or Q'ty	Part No.	SP Description
1	4-438-734-12	SHOE CAP (875)
2	4-684-601-01	COVER (956), MOUNT
3	4-546-918-01	REC TALLY (FRONT)
4	4-563-844-01	SHEET, (6.5X7.5) DIFFUSION
5	4-547-055-03	TOP CABI
6	4-138-678-01	CLAMP, CABLE
7	4-547-057-01	CUSHION, WATER PROOF
8	4-546-934-01	LID, BOB CONNECTOR
9	4-684-612-01	ROD (956), VF
10	4-547-025-01	CAP
11	A-2170-417-A	CN-1057 BOARD, COMPLETE

Ref. No. or Q'ty	Part No.	SP Description
12	4-547-056-01	RETAINER CN
#49	2-630-005-31	SCREW (M2), NEW TRUSTER, P2
#104	7-682-548-09	SCREW +B 3X8
#119	7-627-556-58	SCREW +P 2.6X5
#360	4-562-604-11	BOLT (1/4-20 UNC), HOLE HEXAGON
#362	3-965-077-03	SCREW, SPECIAL (M2)

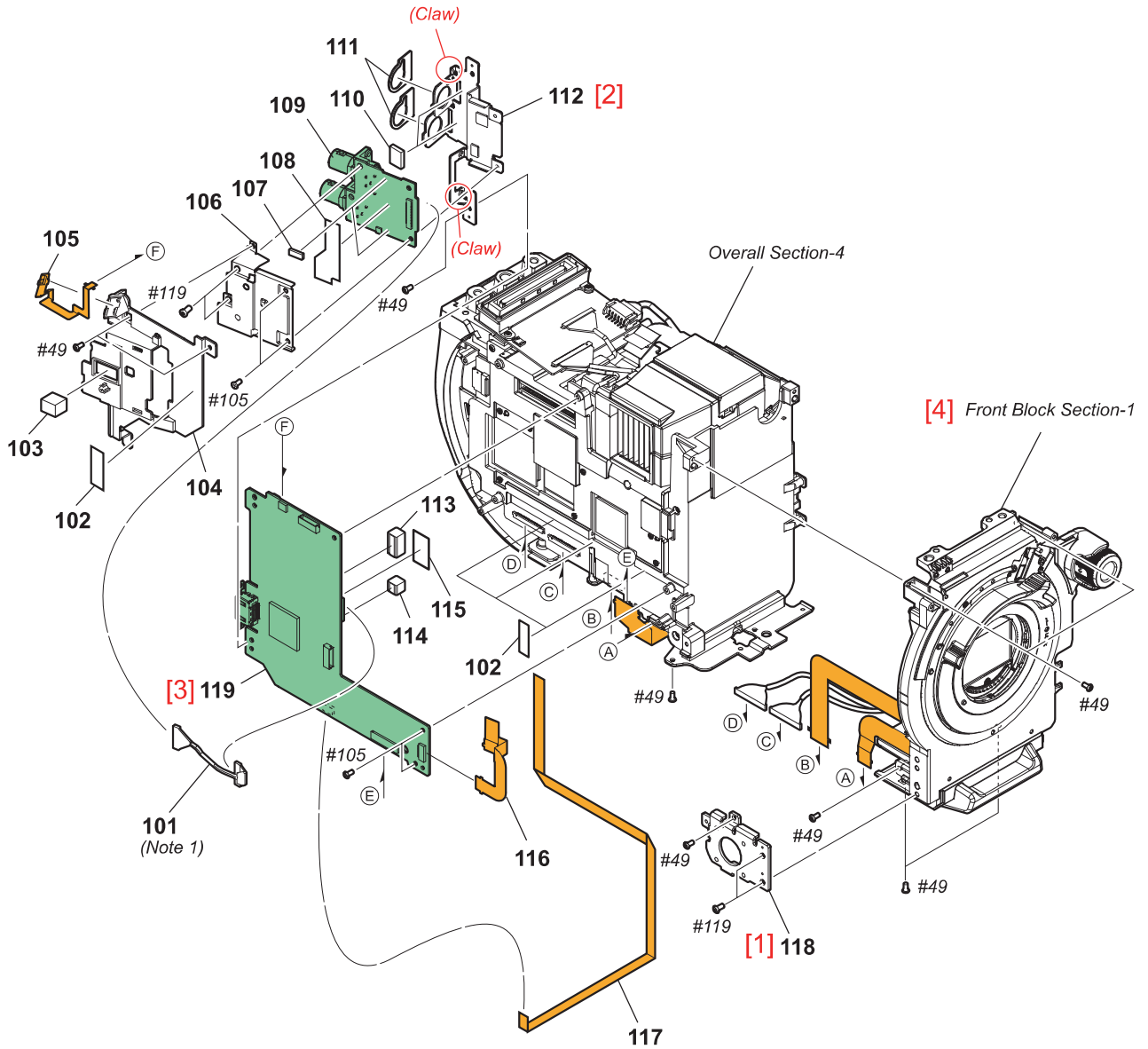
Overall Section-2



Ref. No. or Q'ty	Part No.	SP Description
51	4-684-602-01	RING (956), ROSSETTE
53	4-547-039-04	WI-FI CAP
54	4-563-773-01	SHEET (WLAN)
55	4-547-034-01	CAP SDI-HDMI
56	4-431-734-01	TAPE AS
57	4-274-987-01	TAPE (AS 1/2) (C)
58	4-547-058-01	CABINET, BOTTOM
59	4-684-600-01	TRIPOD (956)
60	4-587-420-01	LID, BM
61	7-623-923-01	WASHER 2.6, NYLON
62	7-688-003-12	W 3, MIDDLE
63	4-547-104-01	SHOULDER PAD

Ref. No. or Q'ty	Part No.	SP Description
64	4-547-106-12	AXIS, PAD SLIDE
65	4-547-105-01	COIN SCREW
66	4-559-141-01	COVER SHEET (USB)
#49	2-630-005-31	SCREW (M2), NEW TRUSTER, P2
#104	7-682-548-09	SCREW +B 3X8
#119	7-627-556-58	SCREW +P 2.6X5
#359	7-621-996-05	BOLT, HEXAGON SOCKET 2.6X5
#362	3-965-077-03	SCREW, SPECIAL (M2)

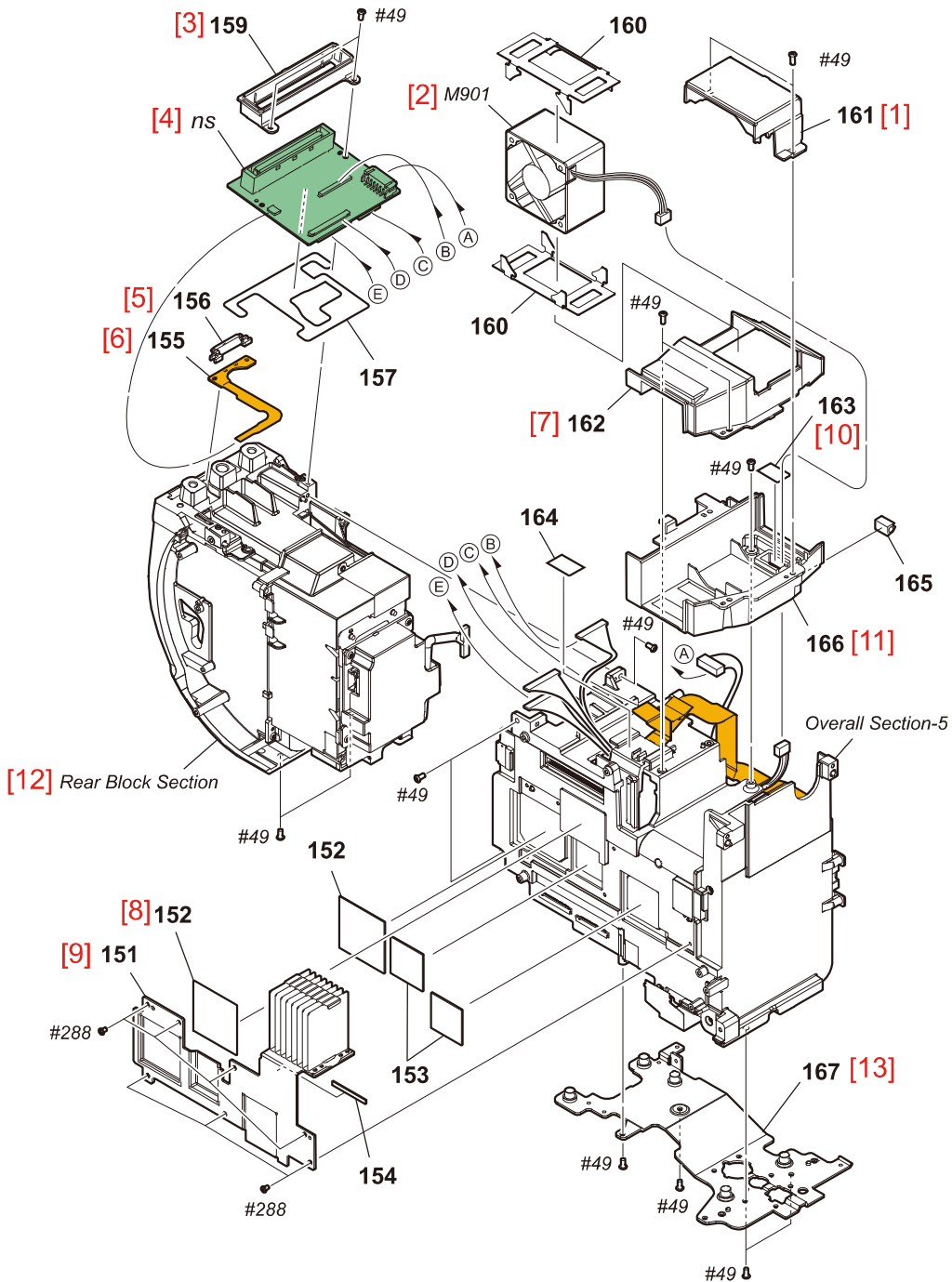
Overall Section-3



Ref. No. or Q'ty	Part No.	SP Description
101	1-848-663-21	WIRE, CONNECTORWITHLEAD (VIF-DV)
102	4-431-734-01	TAPE AS
103	4-564-129-01	GASKET (10X10 (8)), SOFT
104	4-547-052-01	OUTSIDE INNER CABI
105	A-2170-441-A	RC-1002 FLEXIBLE BOARD, COMPLETE
106	4-684-605-01	PLATE (956), SDI SHIELD
107	4-693-696-01	GASKET (1X4 (10))
108	4-693-697-01	INSULATING SHEET (DV)
109	A-2170-407-A	DV-1002 BOARD, COMPLETE
110	4-547-250-01	GASKET 3X10 (13), SOFT
111	4-547-051-01	SHEET (SDI), WATERPROOF
112	4-684-604-01	SHEET METAL (956), VIF FIXED

Ref. No. or Q'ty	Part No.	SP Description
113	4-693-698-01	GASKET (6X6 (12))
114	4-583-935-01	GASKET (VC)
115	4-274-987-01	TAPE (AS 1/2) (C)
116	1-894-268-11	FP-220 FLEXIBLE BOARD
117	1-970-541-11	FFC (VIF-HP 10PIN)
118	4-546-983-01	BRACKET, ROSETTA RING
119	A-2182-619-A	VIF-1001 BOARD, COMPLETE (SERVICE)
#49	2-630-005-31	SCREW (M2), NEW TRUSTER, P2
#105	2-891-494-31	SCREW (M2), NEW TRUSTER, P2
#119	7-627-556-58	SCREW +P 2.6X5

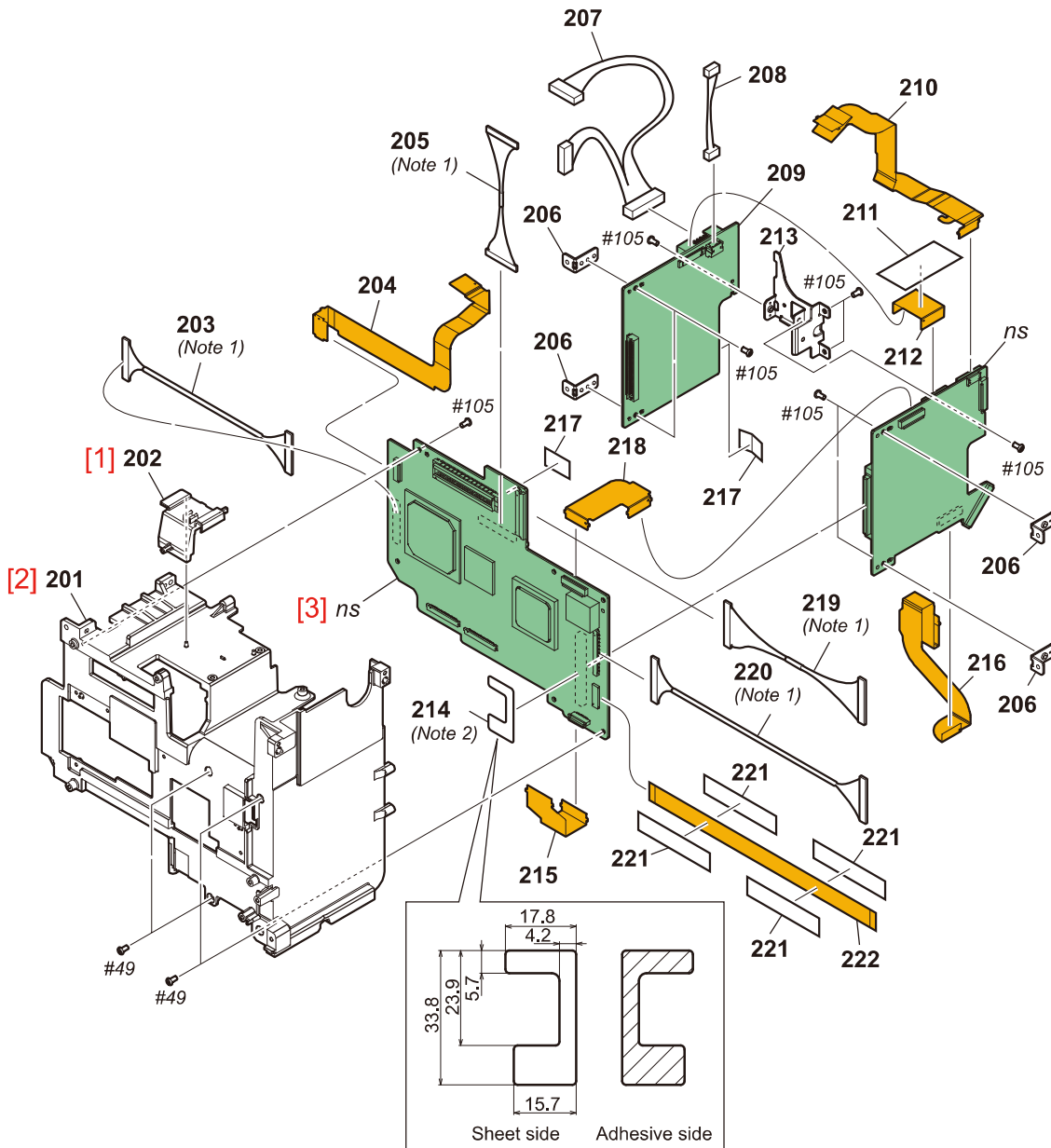
Overall Section-4



Ref. No. or Q'ty	Part No.	SP Description
151	X-2593-933-1	HEAT SINK ASSY (956)
152	4-687-313-01	SHEET (R), RADIATION
153	4-687-314-01	SHEET (B), RADIATION
154	4-688-125-01	SHEET (HP) (956), WP
155	A-2170-423-A	FP-2373 FLEXIBLE BOARD, COMPLETE
156	4-546-962-01	LIGHT GUIDE, REAR
157	4-546-919-01	INSULATING SHEET (CA2I)
159	4-546-926-01	GUIDE, DOCKING CONNECTOR
160	4-546-928-01	CUSHION (FAN)

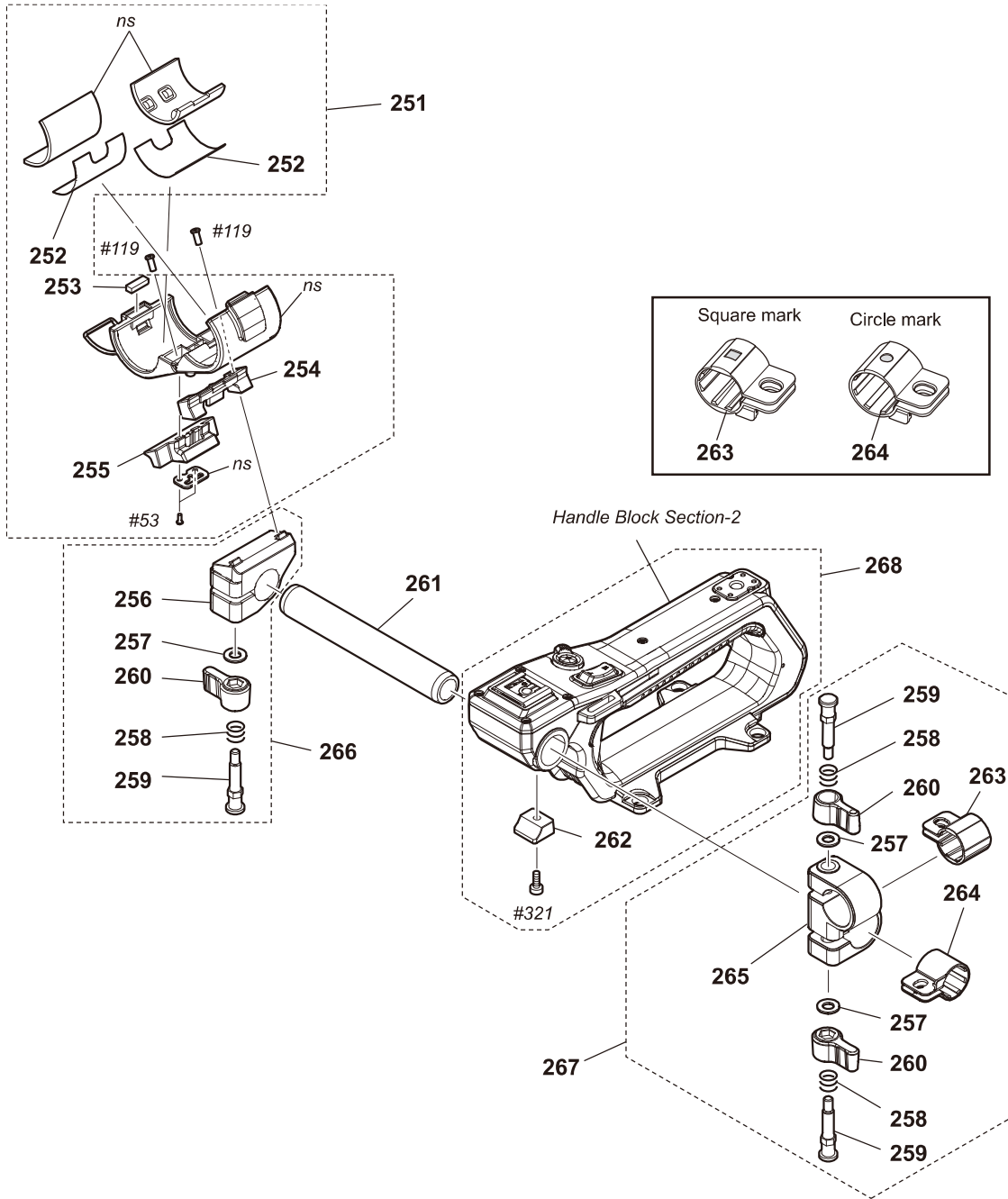
Ref. No. or Q'ty	Part No.	SP Description
161	4-546-923-01	COVER, FAN
162	4-546-927-01	FAN HOLDER A
163	4-546-922-01	FH BARRIER SHEET
164	4-274-987-01	TAPE (AS 1/2) (C)
165	4-546-925-01	CABLE CLAMPER
166	4-684-599-01	FAN HOLDER B (956)
167	X-2593-934-1	PLATE ASSY (956), BOTTOM
M901	⚠ 1-855-374-11	DC FAN
#49	2-630-005-31	SCREW (M2), NEW TRUSTER, P2
#288	2-187-345-21	SCREW (M1.7), P2

Overall Section-5



Ref. No. or Q'ty	Part No.	SP Description	Ref. No. or Q'ty	Part No.	SP Description
201	4-546-951-11	CHASSIS, MAIN	215	1-894-267-11	FP-219 FLEXIBLE BOARD
202	4-546-954-01	DPR CATCHER	216	1-894-269-11	FP-221 FLEXIBLE BOARD
203	1-848-662-11	THIN WIRE COAXIAL DPR-IF3	217	4-274-987-01	TAPE (AS 1/2) (C)
204	1-894-270-11	FP-224 FLEXIBLE BOARD	218	1-894-265-11	FP-216 FLEXIBLE BOARD
205	1-848-668-11	WIRE, CONNECTORWITHLEAD (DPR-IF2)	219	1-848-667-11	WIRE, CONNECTORWITHLEAD (DPR-IF1)
206	4-546-952-01	BRACKET PWB A	220	1-848-666-11	WIRE, CONNECTORWITHLEAD (DPR-EC)
207	1-970-536-11	SUB HARNESS IF-DR-RE	221	4-688-108-01	SHEET (EFF01 (11X50))
208	1-970-535-11	SUB HARNESS RE-FAN	222	1-849-931-11	FLEXIBLE FLAT CABLE (FFC-1093)
209	A-2062-511-A	RE-328 BOARD, COMPLETE	#49	2-630-005-31	SCREW (M2), NEW TRUSTER, P2
210	1-981-934-11	FP-2382 FLEXIBLE BOARD	#105	2-891-494-31	SCREW (M2), NEW TRUSTER, P2
211	4-688-107-01	SHEET EFF01 (19.5X39)			
212	1-839-084-11	CABLE, FLEXIBLE FLAT (FFC-249)			
213	4-546-953-01	BRACKET PWB B			
214	2-580-751-01	SHEET, POLYIMIDE			

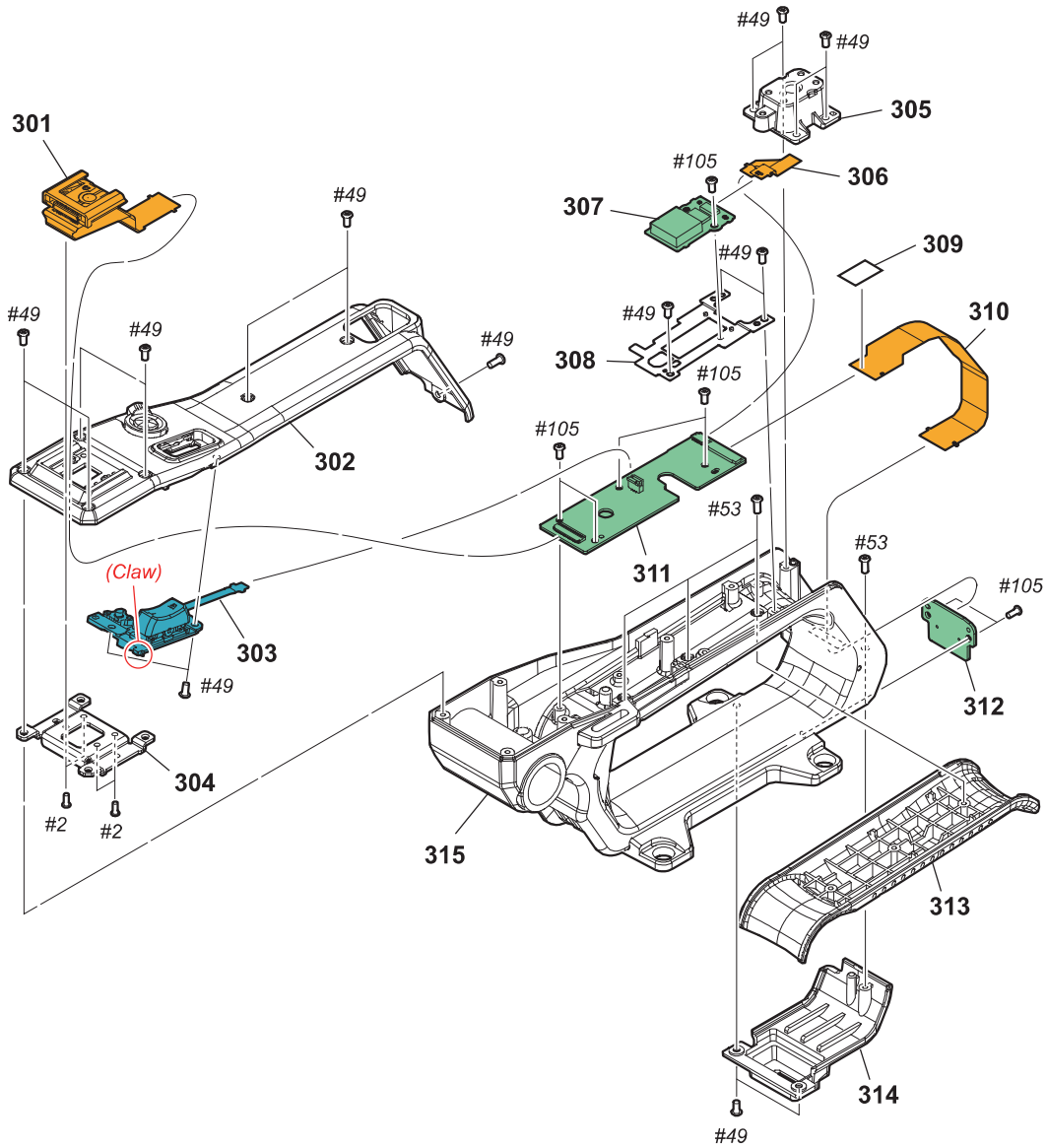
Handle Block Section-1



Ref. No. or Q'ty	Part No.	SP Description
251	X-2592-389-1	HOLDER (931) ASSY, MICROPHONE
252	3-284-081-11	SHEET, RUBBER ADHESIVE
253	3-284-621-11	CUSHION, MICROPHONE HOLDER
254	3-284-075-02	COVER, MICROPHONE HOLDER RUBBER
255	4-119-861-01	RUBBER (93000), HOLDER
256	4-684-596-01	BASE (956), MIC HOLDER
257	7-688-005-02	W 5, SMALL
258	4-691-179-01	SPRING (956), ROD LOCK
259	4-684-598-01	SCREW (956), CLAMP LOCK
260	4-684-597-01	LEVER (956), CLAMP LOCK

Ref. No. or Q'ty	Part No.	SP Description
261	4-684-595-01	ROD (956), MIC
262	4-547-067-01	PIPE CLAMP (HANDLE)
263	4-684-615-01	BUSHING (S), VF SLIDE
264	4-684-614-01	BUSHING (R), VF SLIDE
265	4-684-613-01	CLAMP (956), ROD
266	A-2182-620-A	SERVICE, BASE MIC HOLDER ASSY
267	A-2182-621-A	SERVICE, CLAMP ROD ASSY
268	A-2170-654-A	HANDLE BLOCK ASSY
#53	3-080-206-21	SCREW, TAPPING, P2
#119	7-627-556-58	SCREW +P 2.6X5
#321	7-683-404-04	BOLT, HEXAGON SOCKET 3X8

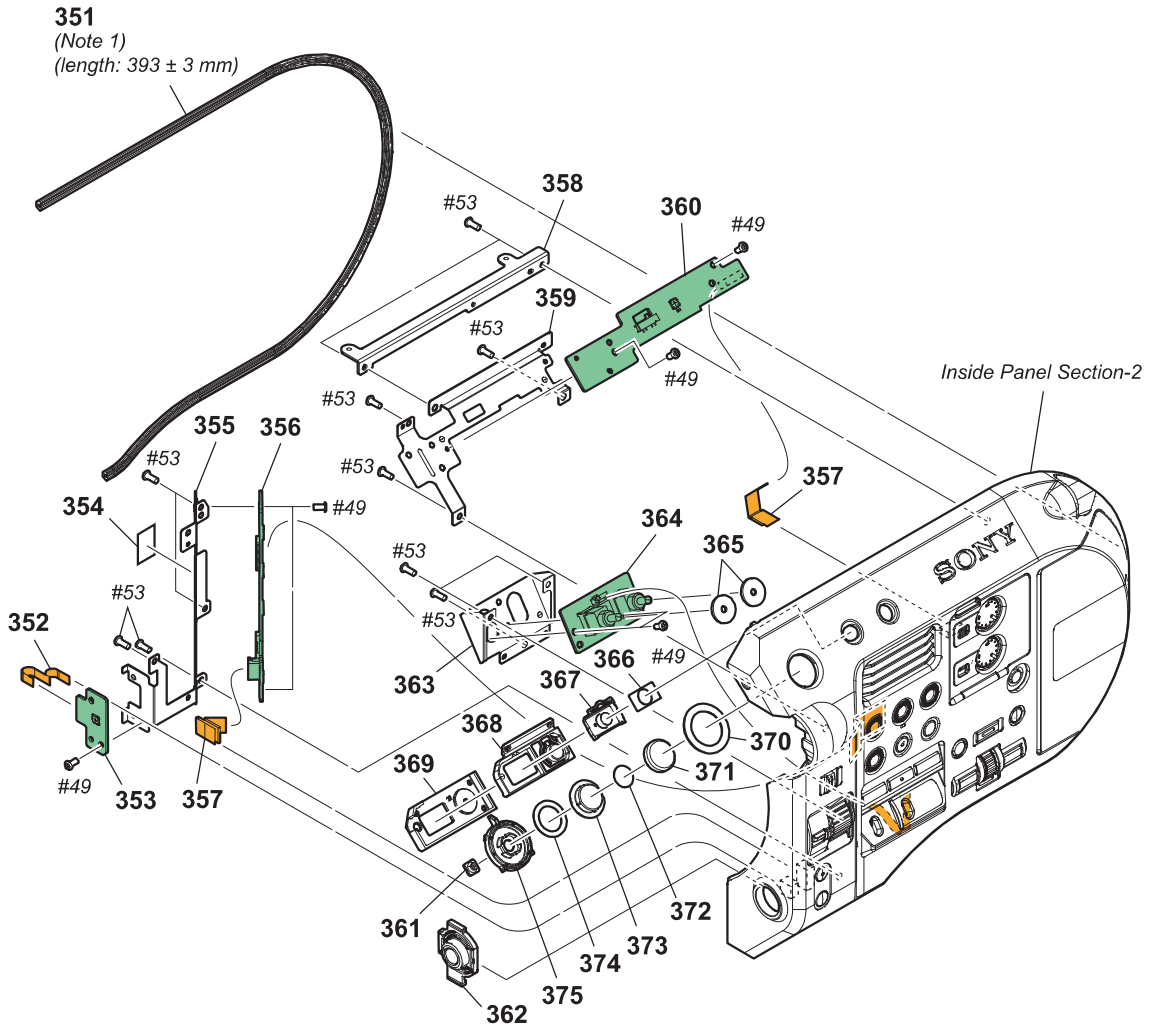
Handle Block Section-2



Ref. No. or Q'ty	Part No.	SP Description
301	A-2170-422-A	FP-2372 FLEXIBLE BOARD, COMPLETE
302	X-2590-605-1	HANDLE UPPER CAB ASSY
303	1-480-298-11	SWITCH BLOCK, CONTROL (GZ92000)
304	4-547-060-01	BASE, MI SHOE
305	3-288-538-11	SHOE, REAR (COLD)
306	1-893-019-11	FP-2231 FLEXIBLE BOARD
307	A-2059-048-A	GP-1019 BOARD, COMPLETE (SERVICE)
308	4-540-586-01	BRACKET (GP)
309	4-274-987-01	TAPE (AS 1/2) (C)
310	1-894-276-11	FP-237 FLEXIBLE BOARD
311	A-2170-415-A	HN-1020 BOARD, COMPLETE
312	A-2170-409-A	CN-1056 BOARD, COMPLETE

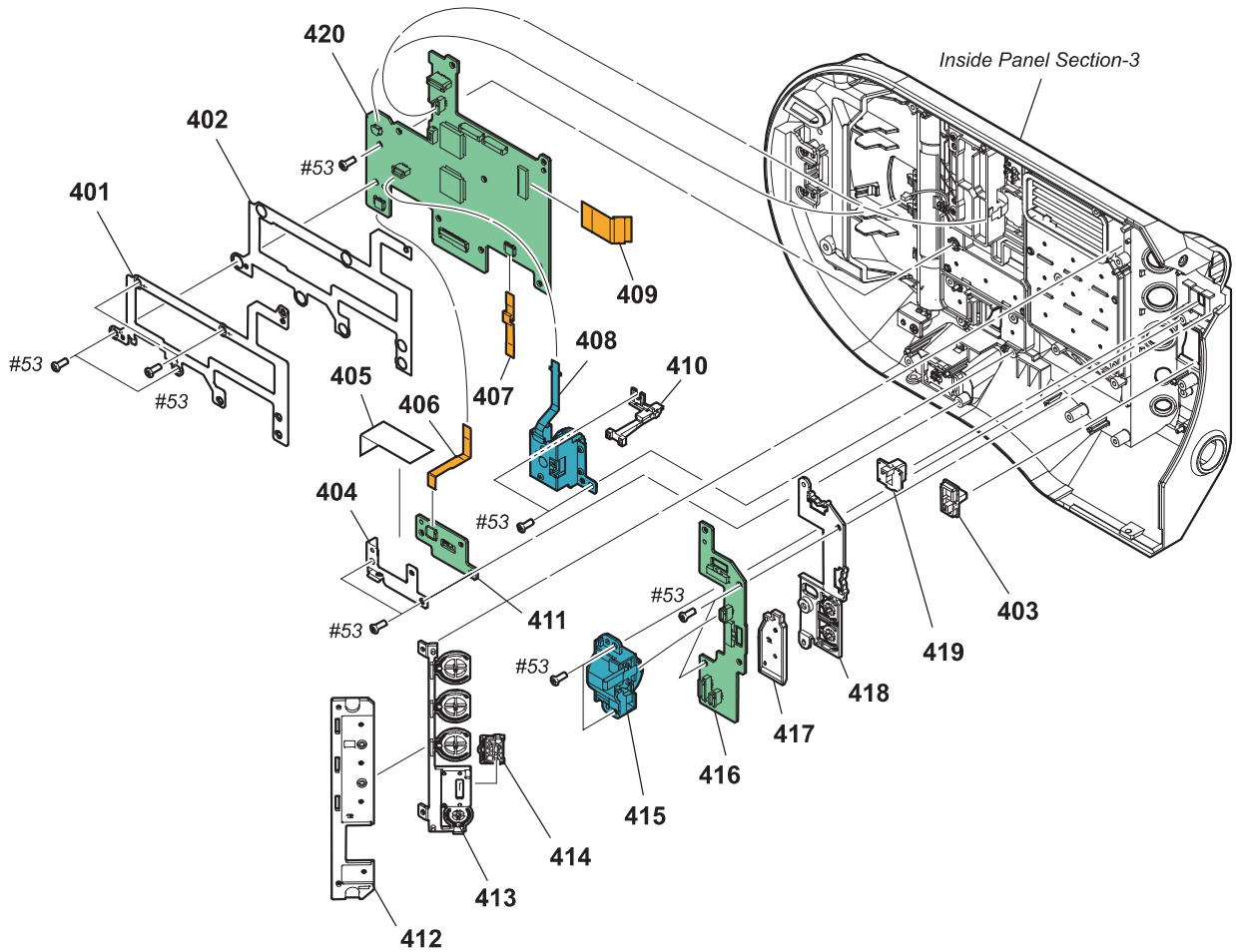
Ref. No. or Q'ty	Part No.	SP Description
313	4-165-278-01	GRIP
314	4-547-061-01	COVER, HANDLE BOTTOM
315	4-547-059-01	BASE, HANDLE
#2	2-635-562-31	SCREW (M1.7)
#49	2-630-005-31	SCREW (M2), NEW TRUSTER, P2
#53	3-080-206-21	SCREW, TAPPING, P2
#105	2-891-494-31	SCREW (M2), NEW TRUSTER, P2

Inside Panel Section-1



Ref. No. or Q'ty	Part No.	SP Description	Ref. No. or Q'ty	Part No.	SP Description
351	4-546-920-11	PACKING, MAIN	370	4-687-321-01	CUSHION, REC
352	1-836-006-11	FLEXIBLE FLAT CABLE (FFC-172)	371	4-684-650-01	CAP, REC BUTTON
353	A-2170-440-A	WB-1001 BOARD, COMPLETE	372	4-687-322-01	SHEET, REC BUTTON ADHESIVE
354	4-274-987-01	TAPE (AS 1/2) (C)	373	4-684-648-01	BUTTON, REC
355	4-684-644-01	BRACKET (AS), IN SIDE	374	4-692-670-01	TAPE (REC)
356	A-2170-421-A	AS-1004 BOARD, COMPLETE	375	4-684-649-01	BASE, REC
357	1-839-086-21	CABLE, FLEXIBLE FLAT (FFC-256)	#49	2-630-005-31	SCREW (M2), NEW TRUSTER, P2
358	4-547-019-01	PLATE, INSIDE	#53	3-080-206-21	SCREW, TAPPING, P2
359	4-684-645-01	BRACKET (XS), IN SIDE			
360	A-2170-439-A	XS-1002 BOARD, COMPLETE			
361	4-299-985-01	RUBBER, SS			
362	4-684-640-01	BUTTON (WB)			
363	4-684-646-01	BRACKET (SW), IN SIDE			
364	A-2170-437-A	SW-1028 BOARD, COMPLETE			
365	4-547-022-01	CUSHION (SW), WATERPROOF			
366	4-546-999-01	SHEET, SW INDICATOR			
367	4-684-635-01	SWITCH (HOLD), SLIDE			
368	4-684-639-01	BUTTON (AUTO)			
369	4-684-632-01	PACKING (XS)			

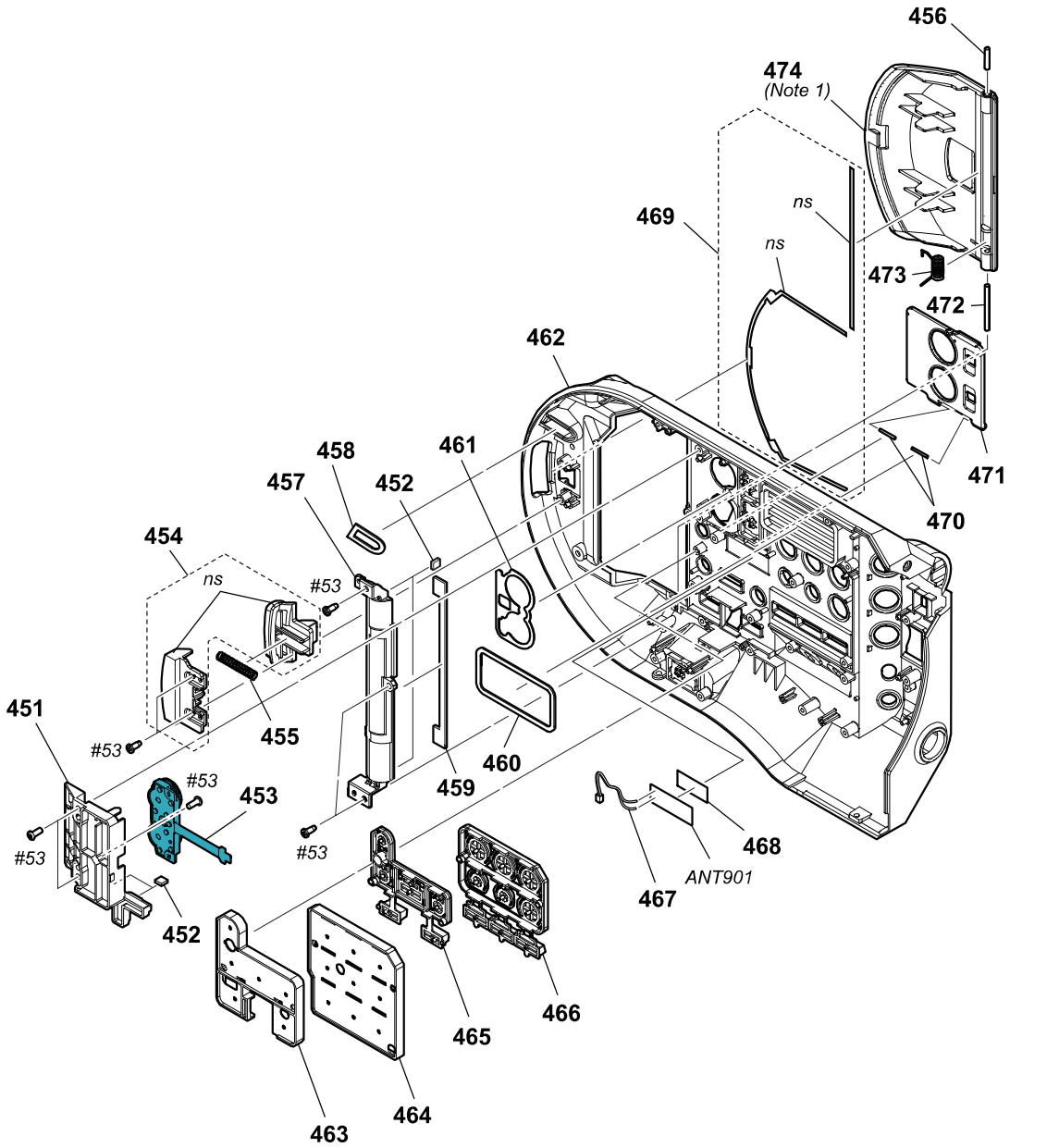
Inside Panel Section-2



Ref. No. or Q'ty	Part No.	SP Description
401	4-684-647-01	BRACKET (KY), IN SIDE
402	4-687-323-01	SHEET KY (956)
403	4-576-313-01	KNOB, ND
404	4-684-643-01	BRACKET (PS), IN SIDE
405	4-431-734-01	TAPE AS
406	1-835-133-11	FLEXIBLE FLAT CABLE (FFC-160)
407	1-836-006-11	FLEXIBLE FLAT CABLE (FFC-172)
408	1-492-342-21	SWITCH BLOCK, CONTROL (KP50080)
409	1-834-809-11	CABLE, FLEXIBLE FLAT (FFC-338)
410	4-684-634-01	LIGHT (POWER), GUIDE,
411	A-2170-436-A	PS-1002 BOARD, COMPLETE
412	4-684-630-01	PACKING (AS)
413	4-684-642-01	BUTTON (FOCUS)
414	4-684-636-01	SWITCH (FOCUS), SLIDE
415	1-492-897-11	SWITCH BLOCK CONTROL (ID94100)
416	A-2170-438-A	NI-1002 BOARD, COMPLETE
417	4-684-633-01	PACKING (NI)

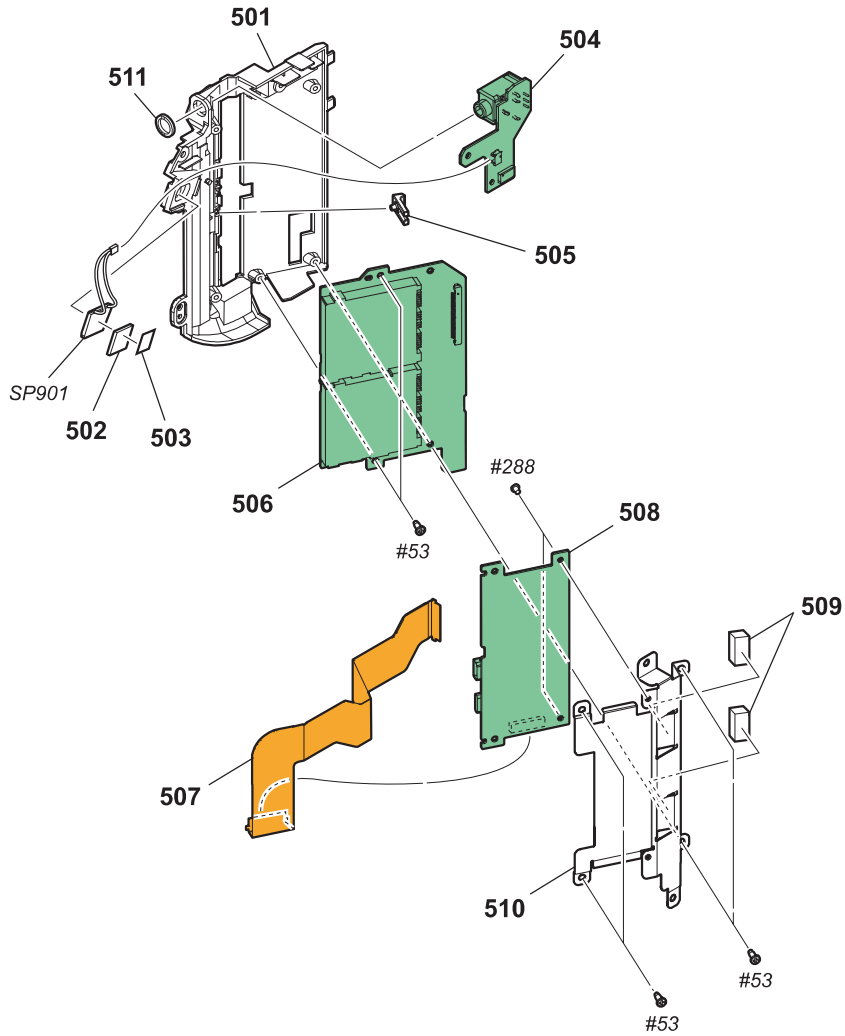
Ref. No. or Q'ty	Part No.	SP Description
418	4-684-641-01	BUTTON (IRIS)
419	4-576-312-01	KNOB, PRESET
420	A-2182-627-A	KY-1019 BOARD, COMPLETE (SERVICE)
#53	3-080-206-21	SCREW, TAPPING, P2

Inside Panel Section-3



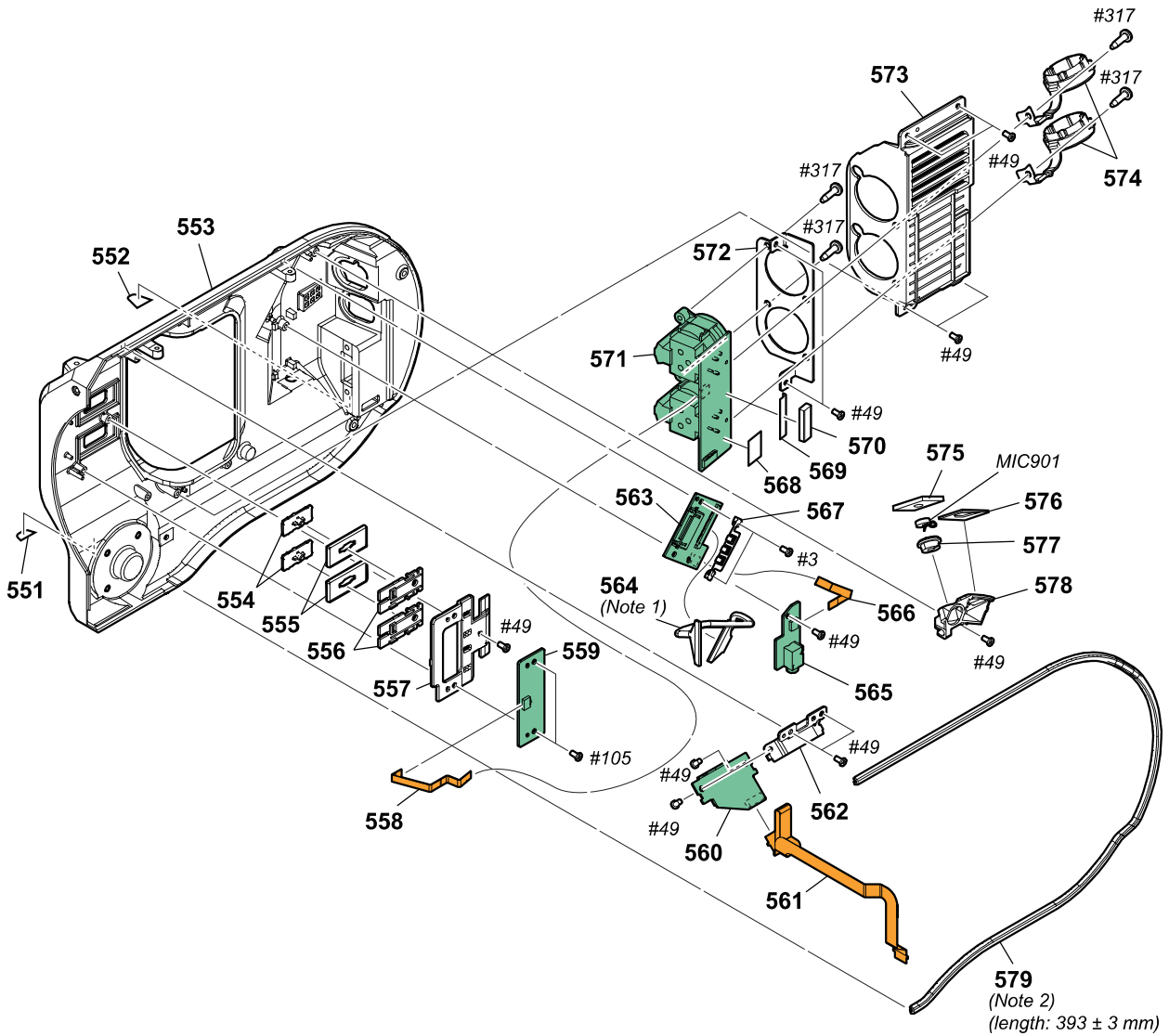
Ref. No. or Q'ty	Part No.	SP Description	Ref. No. or Q'ty	Part No.	SP Description
451	4-684-628-01	BASE (956), AU	466	4-684-637-01	BUTTON (ASSIGN)
452	4-547-150-01	SHEET (941), RUBBER	467	1-846-787-31	CABLE
453	1-480-457-41	BLOCK, AU VOLUME	468	4-587-101-01	SHEET, NFC ADHESIVE
454	A-2182-623-A	SERVICE, BUTTON,COVER RELEASE	469	4-547-018-11	PACKING, COVER
455	4-547-016-01	SPRING, LOCK	470	3-669-481-08	PIN (DIA.1X8), PARALLEL
456	4-547-011-01	SHAFT A, COVER	471	4-684-627-01	COVER (956), AU
457	4-684-629-01	RETAINER (956), COVER SHAFT	472	4-547-012-01	SHAFT B, COVER
458	4-687-317-01	CUSHION (956), SPEAKER	473	4-547-013-01	SPRING, COVER
459	4-563-553-11	CUSHION, MEDIA LID	474	X-2593-936-2	COVER ASSY (956), INSIDE
460	4-546-998-01	WP SHEET (IN)	ANT901	1-754-972-12	NFC ANTENNA
461	4-547-023-11	CUSHION (AU), WATERPROOF	#53	3-080-206-21	SCREW, TAPPING, P2
462	X-2593-935-1	CABINET SUB ASSY (956), IN SIDE			
463	4-684-668-01	PACKING (KY2)			
464	4-684-631-01	PACKING (KY1)			
465	4-684-638-01	BUTTON (MENU)			

Inside Inner Block Section



Ref. No. or Q'ty	Part No.	SP Description	Ref. No. or Q'ty	Part No.	SP Description
501	A-2182-616-A	SERVICE, INNER CABINET (956)	#288	2-187-345-21	SCREW (M1.7), P2
502	4-547-031-01	CUSHION, SPEAKER 2			
503	4-274-987-01	TAPE (AS 1/2) (C)			
504	A-2170-413-A	HP-1013 BOARD, COMPLETE			
505	4-547-028-01	SDI GUIDE, LIGHT			
506	A-2170-414-A	EC-1003 BOARD, COMPLETE			
507	1-981-933-11	FP-2381 FLEXIBLE BOARD			
508	A-2170-428-A	SD-1012 BOARD, COMPLETE			
509	4-564-130-01	GASKET (5.5X6 (10)), SOFT			
510	4-684-611-01	PLATE (956), MEDIA			
511	3-061-234-01	NUT (M6X0.5)			
SP901	1-858-528-31	SPEAKER (2-1CM)			
#53	3-080-206-21	SCREW, TAPPING, P2			

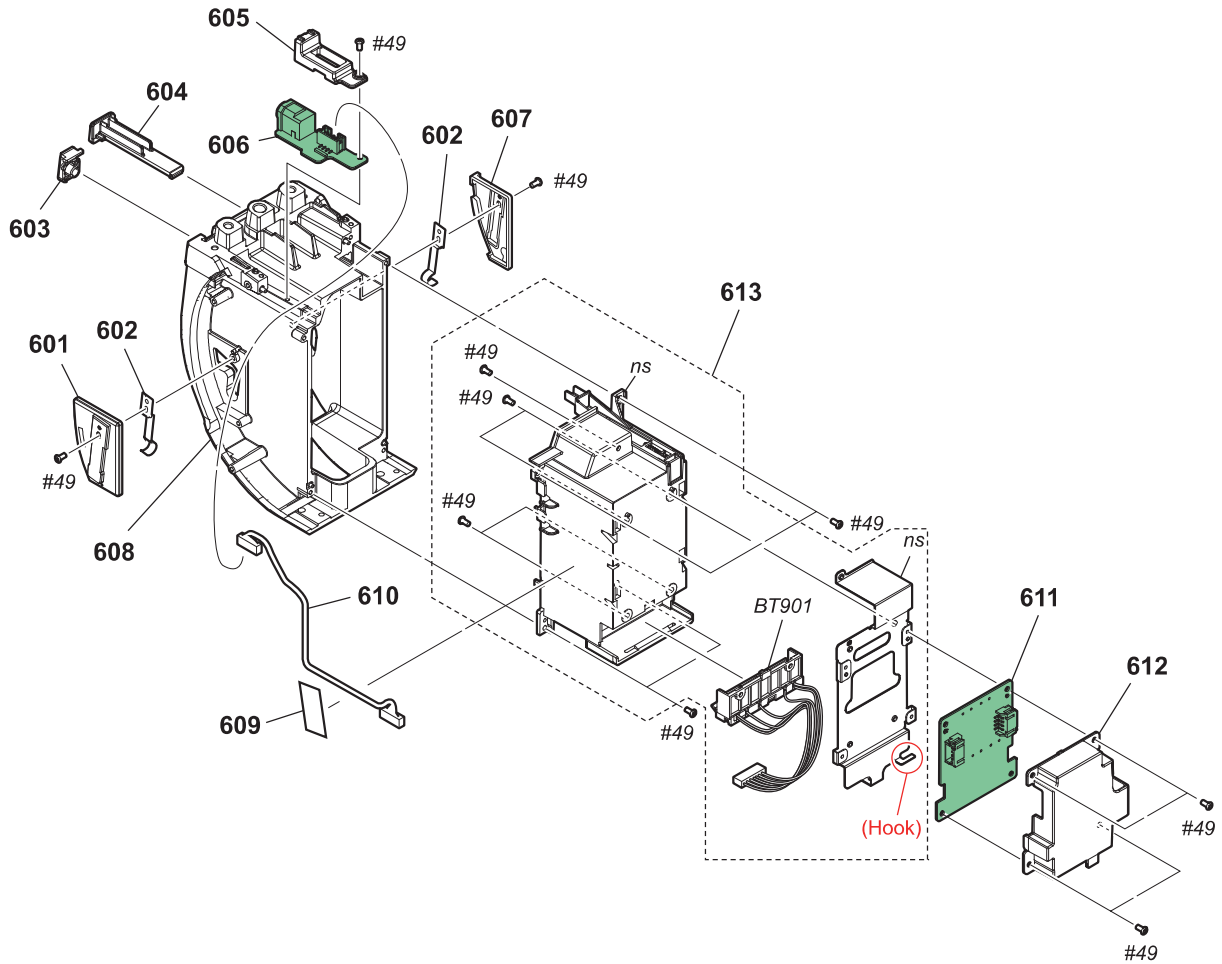
Outside Panel Section



Ref. No. or Q'ty	Part No.	SP Description
551	4-691-177-01	SHEET (A), OS
552	4-691-178-01	SHEET (B), OS
553	4-547-032-01	OUTSIDE CABI
554	4-547-037-01	SW KNOB
555	4-547-049-01	SEALING, SW
556	4-547-038-01	RETAINER, SW KNOB
557	4-547-045-01	SW BASE
558	1-846-258-11	FLEXIBLE FLAT CABLE (FFC-1030)
559	A-2170-433-A	SW-1027 BOARD, COMPLETE
560	A-2170-416-A	IF-1011 BOARD, COMPLETE
561	1-981-935-11	FP-2393 FLEXIBLE BOARD
562	4-547-036-01	GRAND PLATE USB
563	A-2170-430-A	VF-1020 BOARD, COMPLETE
564	1-848-669-21	WIRE, CONNECTORWITHLEAD (VF-DPR1)
565	A-2170-432-A	LC-1033 BOARD, COMPLETE
566	1-836-006-11	FLEXIBLE FLAT CABLE (FFC-172)
567	4-547-035-01	GRAND PLATE VF
568	4-274-987-01	TAPE (AS 1/2) (C)
569	4-692-454-01	SHEET (8X16), COPPER LEAF

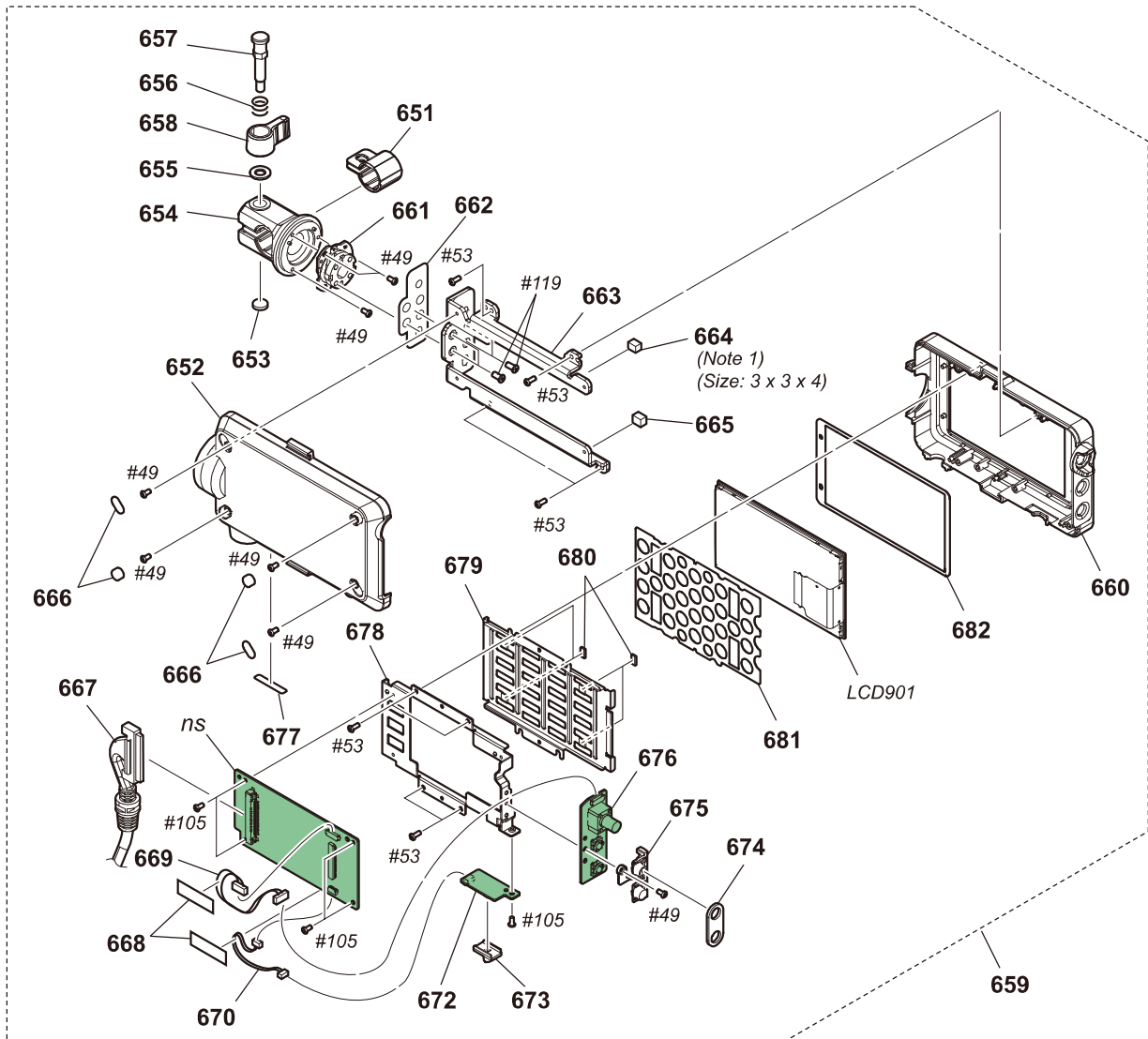
Ref. No. or Q'ty	Part No.	SP Description
570	4-549-568-01	GASKET (T3X5X15)
571	A-2170-412-A	AXM-1001 BOARD, COMPLETE
572	4-547-048-01	XLR BRACKET
573	X-2593-937-1	LOUVER ASSY (956), OUT SIDE
574	4-547-043-02	CAP XLR
575	4-547-050-01	SHEET (MICROPHONE), WATERPROOF
576	4-559-140-01	WP SHEET (IR)
577	4-547-046-01	RUBBER, MIC
578	4-547-047-01	RETAINER IR
579	4-546-920-11	PACKING, MAIN
MIC901	1-542-979-11	MICROPHONE, ELECTRET CAP
#3	2-660-401-01	SCREW (M1.7), NEW TRU-STAR, P2
#49	2-630-005-31	SCREW (M2), NEW TRUSTER, P2
#105	2-891-494-31	SCREW (M2), NEW TRUSTER, P2
#317	7-685-535-19	SCREW +BTP 2.6X10 TYPE2 N-S

Rear Block Section



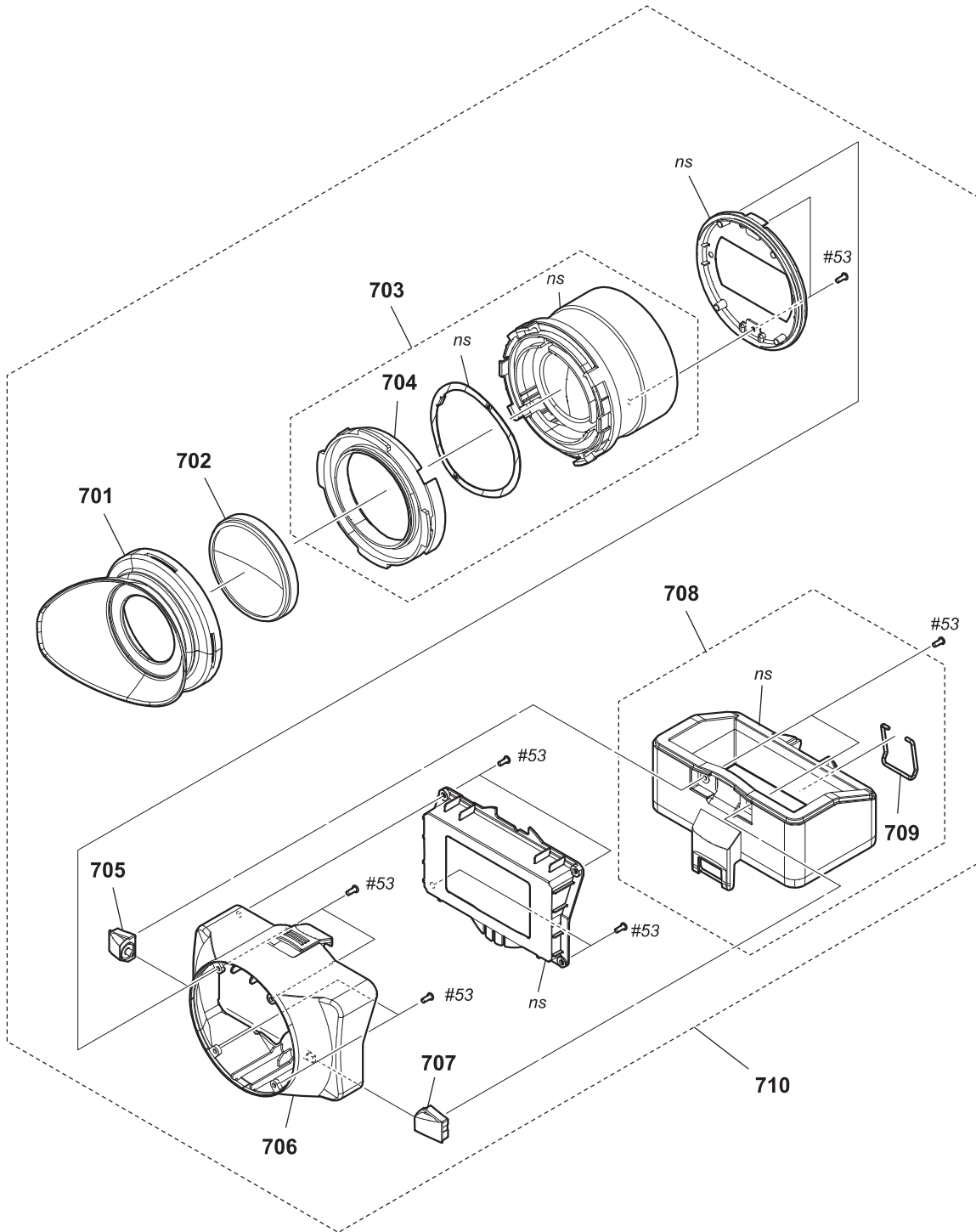
Ref. No. or Q'ty	Part No.	SP Description
601	4-546-965-01	COVER (OUT SIDE), SLIDE
602	4-546-963-01	SPRING, GROUND
603	4-546-961-01	LID, DC PIN
604	4-546-959-01	BUTTON, BATTERY RELEASE
605	4-546-960-01	RETAINER, DC
606	A-2170-420-A	DC-1009 BOARD, COMPLETE
607	4-546-964-01	COVER (IN SIDE), SLIDE
608	4-546-958-01	CHASSIS, REAR
609	4-431-734-01	TAPE AS
610	△ 1-970-537-11	SUB HARNESS DC-DR
611	A-2170-410-A	DR-1002 BOARD, COMPLETE
612	4-546-980-01	HOLDER, CONDENSARE
613	A-2182-625-A	SERVICE, BUTTEUY SUB ASSY
BT901	△ 1-780-986-11	TERMINAL BOARD, BATTERY
#49	2-630-005-31	SCREW (M2), NEW TRUSTER, P2

VF Panel Section



Ref. No. or Q'ty	Part No.	SP Description	Ref. No. or Q'ty	Part No.	SP Description
651	4-684-615-01	BUSHING (S), VF SLIDE	670	1-970-534-11	SUB HARNESS PM-KY735
652	4-547-073-01	P CABINET	672	A-2170-435-A	KY-1018 BOARD, COMPLETE
653	4-694-075-01	SHEET, VF CLAMP	673	4-458-703-02	KNOB (VF), SWITCH
654	4-684-616-01	CLAMP (956), VF	674	4-547-081-01	CUSHION, DROP PROTECTION
655	7-688-005-02	W 5, SMALL	675	4-547-075-01	SWITCH, PUSH
656	4-691-179-01	SPRING (956), ROD LOCK	676	A-2170-434-A	KY-1017 BOARD, COMPLETE
657	4-684-598-01	SCREW (956), CLAMP LOCK	677	4-544-784-01	LABEL (MADE IN CHINA)
658	4-684-597-01	LEVER (956), CLAMP LOCK	678	4-547-074-01	P SUBFRAME
659	A-2170-652-A	PANEL BLOCK ASSY, VF	679	4-547-078-01	LCD RETAINER
660	4-547-072-01	P BEZEL	680	4-535-706-01	ESD GASKET
661	X-2318-442-2	HINGE ASSY	681	4-547-080-01	LCD CUSHION
662	4-547-082-01	INSULATING SHEET (P)	682	4-547-079-01	CUSHION, PANEL
663	4-547-076-01	FRAME, HINGE	LCD901	A-2070-347-A	SERVICE, LCD BLOCK ASSY
664	4-564-261-01	GASKET (3X3 (20)), SOFT	#49	2-630-005-31	SCREW (M2), NEW TRUSTER, P2
665	4-564-635-01	GASKET (5.5X5 (7)), SOFT	#53	3-080-206-21	SCREW, TAPPING, P2
666	4-547-083-01	SHEET, BLIND	#105	2-891-494-31	SCREW (M2), NEW TRUSTER, P2
667	1-848-672-13	CABLE, CONNECTION	#119	7-627-556-58	SCREW +P 2.6X5
668	4-431-734-01	TAPE AS			
669	1-970-515-11	SUB HARNESS PM-KY734			

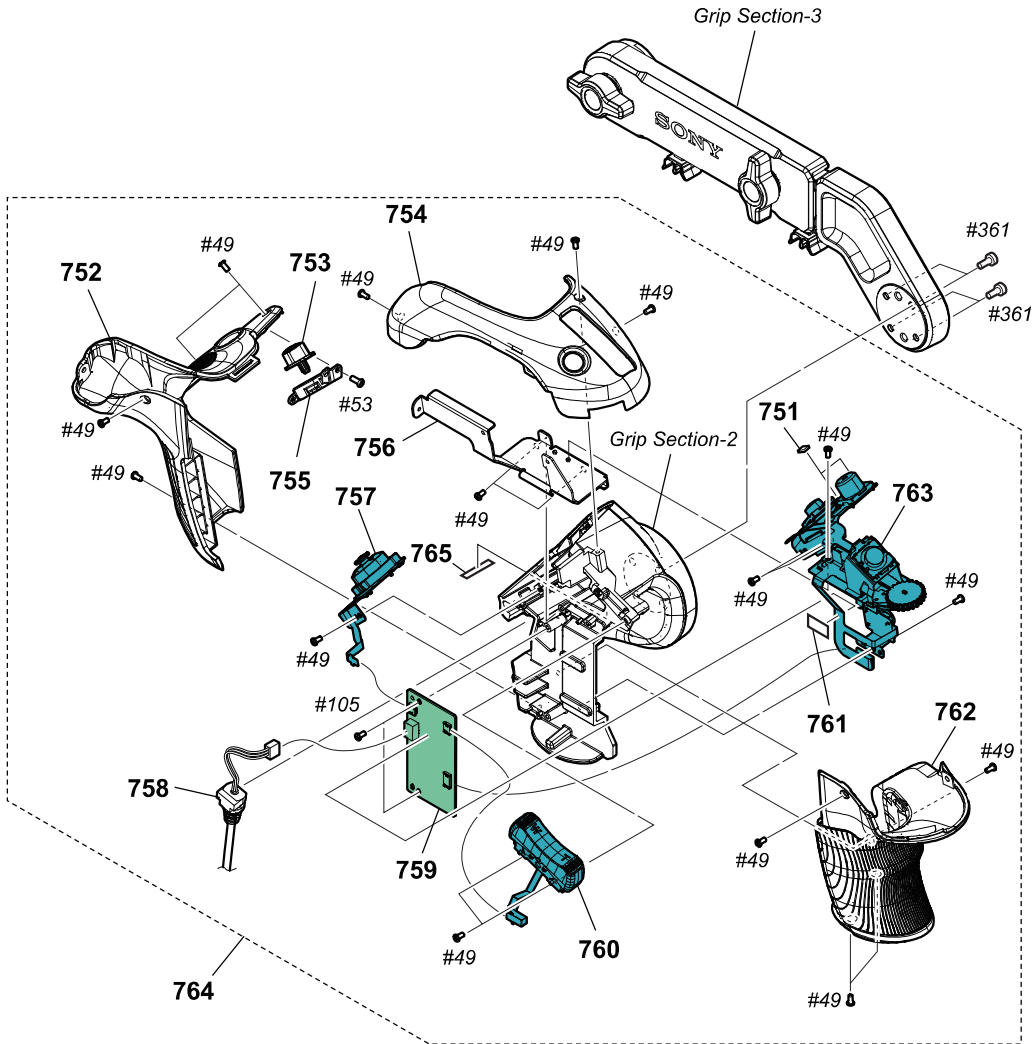
VF Hood Section



Ref. No. or Q'ty	Part No.	SP Description
701	3-878-208-13	EYE CUP
702	4-547-109-02	LENS, CLOSEUP
703	X-2581-585-8	LOUPE ASSY, VF
704	4-284-225-02	HOLDER, EYE CUP
705	4-269-215-01	BASE (L), HINGE
706	X-2581-584-1	VF REAR ASSY
707	4-269-216-01	BASE (R), HINGE
708	X-2593-939-1	VF FRONT ASSY (T) (956)

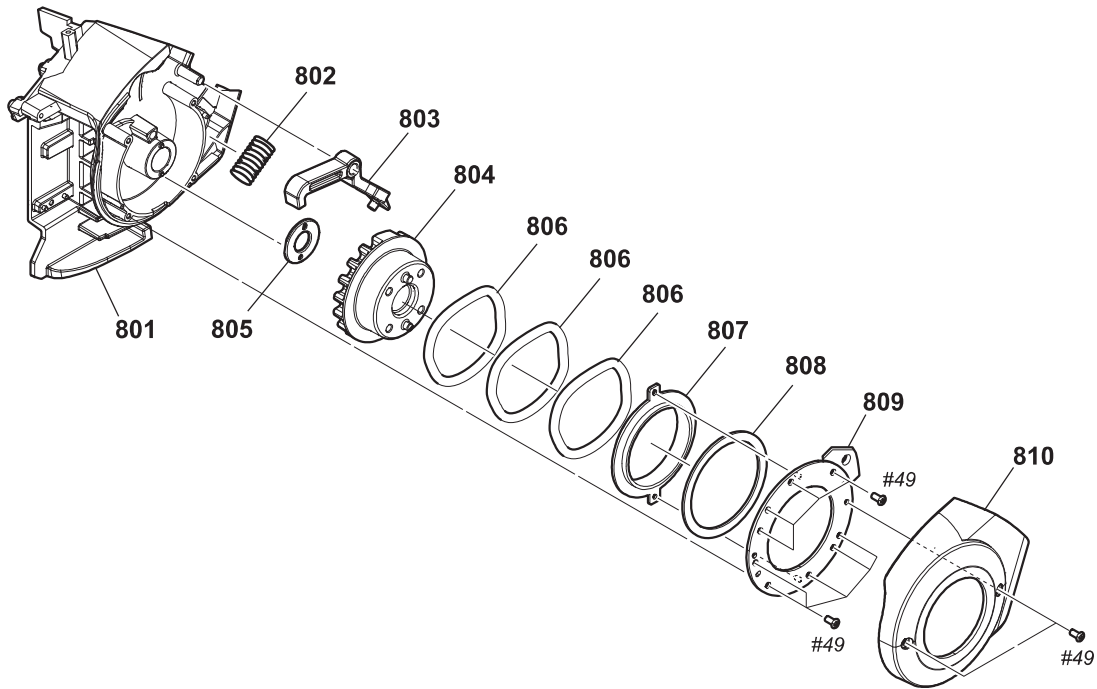
Ref. No. or Q'ty	Part No.	SP Description
709	4-440-210-01	ROD (951), LCD HOOD LOCK
710	A-2170-660-A	VF ASSY
#53	3-080-206-21	SCREW, TAPPING, P2

Grip Section-1



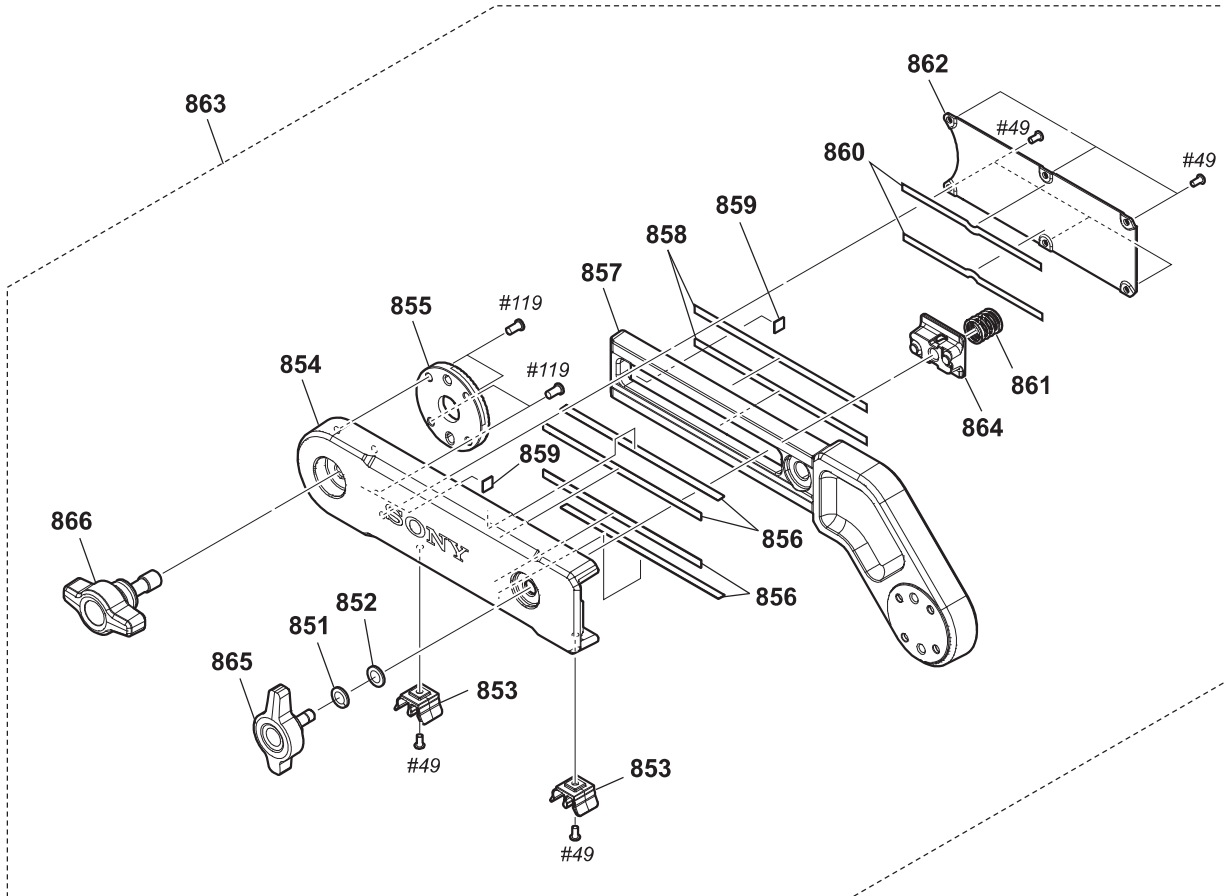
Ref. No. or Q'ty	Part No.	SP Description	Ref. No. or Q'ty	Part No.	SP Description
751	4-272-357-01	GASKET (P (389))	764	A-2182-617-A	SERVICE, GRIP BLOCK ASSY
752	X-2590-617-1	GRIP COVER ASSY (REAR)	765	4-544-784-01	LABEL (MADE IN CHINA)
753	4-547-095-01	BUTTON, RELEASE	#49	2-630-005-31	SCREW (M2), NEW TRUSTER, P2
754	4-547-093-01	COVER, GRIP 3	#53	3-080-206-21	SCREW, TAPPING, P2
755	4-548-025-01	GUIDE, RELEASE BUTTON	#105	2-891-494-31	SCREW (M2), NEW TRUSTER, P2
756	4-548-019-01	BRACKET, SW BLOCK (GRIP)	#361	7-683-412-05	BOLT, HEXAGON SOCKET 2.6X6
757	1-492-914-11	SWITCH BLOCK, CONTROL (JS50080)			
758	1-848-661-11	CURL CABLE			
759	A-2170-418-A	CT-1002 BOARD, COMPLETE			
760	1-490-411-11	SWITCH BLOCK, CONTROL (PZ96000)			
761	4-274-987-01	TAPE (AS 1/2) (C)			
762	X-2590-618-1	GRIP COVER ASSY (FRONT)			
763	1-492-912-11	SWITCH BLOCK, CONTROL (GP50080)			

Grip Section-2



Ref. No. or Q'ty	Part No.	SP Description
801	4-547-090-02	BASE, GRIP
802	4-547-101-01	SPRING, RELEASE BUTTON
803	4-547-094-01	STOPPER, ROTATION
804	4-547-097-02	FLANGE, ROTATION
805	4-547-762-01	WASHER, SLIDE 2
806	4-547-103-01	WASHER, WAVE
807	4-547-096-01	WASHER, SLIDE
808	4-564-867-01	SPACER, SLIDE WASHER
809	4-547-102-03	BASE PLATE
810	4-547-100-03	COVER, AXIS
#49	2-630-005-31	SCREW (M2), NEW TRUSTER, P2

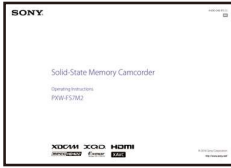
Grip Section-3



Ref. No. or Q'ty	Part No.	SP Description	Ref. No. or Q'ty	Part No.	SP Description
851	7-623-212-22	SW 5, TYPE 2	864	A-2182-624-A	SERVICE, ARM NUT
852	7-688-005-01	W 5, SMALL	865	A-2182-628-A	SERVICE, ARM KNOB SHAFT (S)
853	4-284-137-01	CLAMP, CABLE	866	A-2182-629-A	SERVICE, ARM KNOB SHAFT (L)
854	4-684-617-01	BASE, ARM	#49	2-630-005-31	SCREW (M2), NEW TRUSTER, P2
855	4-547-089-01	RING, ROSSETTE B	#119	7-627-556-58	SCREW +P 2.6X5
856	4-691-174-01	SHEET (B), ARM SLIDER			
857	4-684-618-01	SLIDER, ARM			
858	4-687-319-01	SHEET, ARM SLIDER			
859	4-691-176-01	CUSHION, ARM SLIDER			
860	4-691-175-01	SHEET (C), ARM SLIDER			
861	4-684-624-01	SPRING, ARM			
862	4-684-623-01	BRACKET, ARM			
863	A-2182-622-A	SERVICE, ARM ASSY			

This Item is not supplied with the unit as an accessory, but it is prepared as a service part.
When the customer requests printed one, ask Head Quarter.

1041



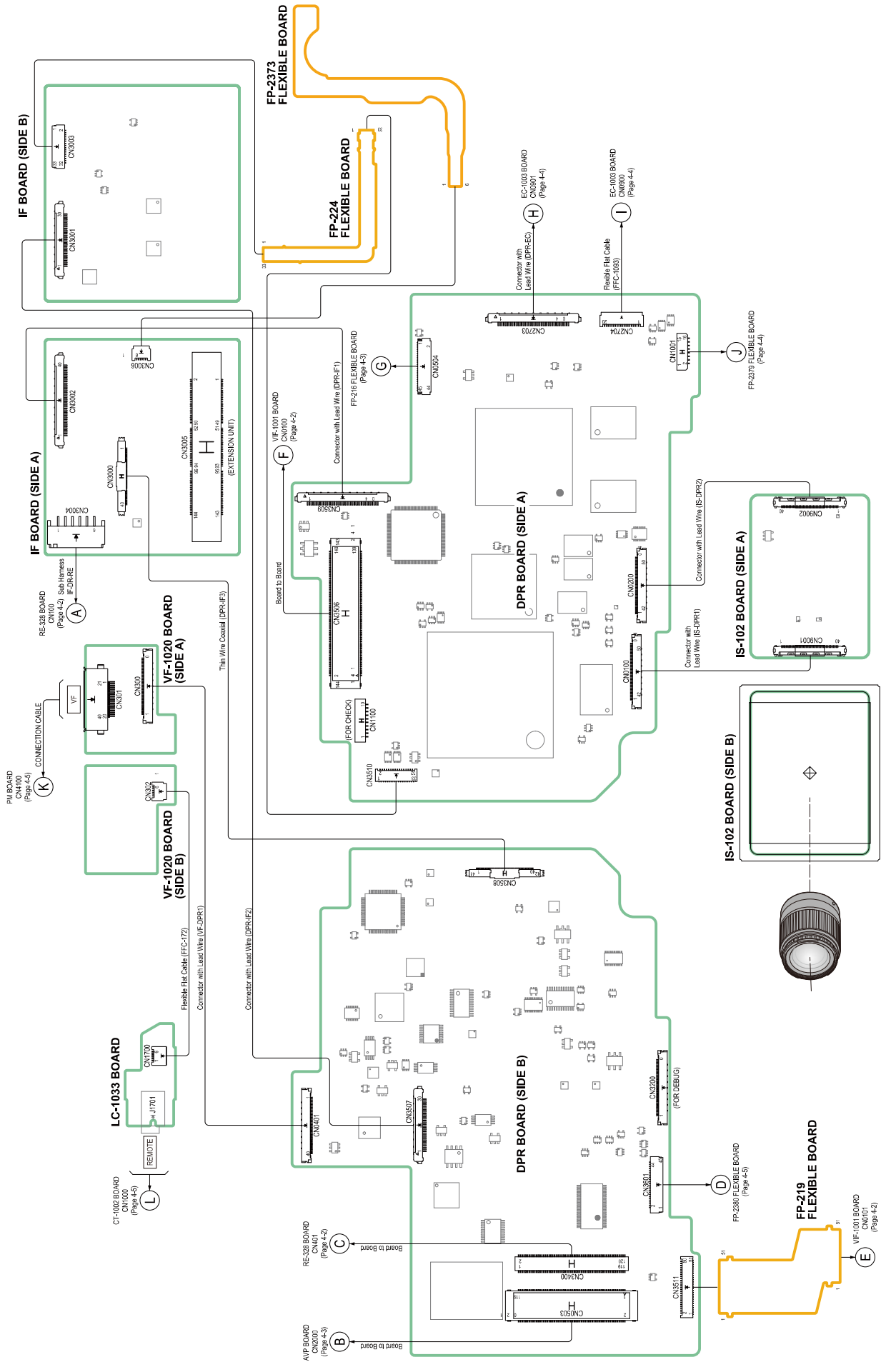
Ref. No. or Q'ty	Part No.	SP Description	Ref. No. or Q'ty	Part No.	SP Description
1001	△ 1-493-042-35	AC Adaptor (AC-UES1230)	1041	4-690-048-41 *	Operating Instructions (ITALIAN)
1002	△ 1-846-101-21	Power cord (UC)			
1002	△ 1-846-103-42	Power cord (CN1)			
1002	△ 1-846-428-33	Power cord (CEE)	1041	4-690-048-51 *	Operating Instructions (SPANISH)
1003	1-848-676-11	Mini USB cable	1041	4-690-048-61 *	Operating Instructions (SIMPLIFIED CHINESE)
1004	1-487-540-13	Infrared remote control (RMT-845)	1041	4-690-048-71 *	Operating Instructions (RUSSIAN)
1005	2-630-005-31	Screw			
1006	3-069-286-03	Accessory shoe			
1007	3-288-615-02	Shoe plate			
1008	X-2188-877-2	Accessory shoe kit			
1009	A-1963-392-C	USB wireless LAN module (IFU-WLM3) (EXCEPT CN1)			
1009	A-1963-393-B	USB wireless LAN module (IFU-WLM3) (CN1)			
1010	4-684-614-01	Round-shaped clamp spacer			
1011	2-630-005-31	M2 screw			
1012	4-546-933-01	Handle connector protective cap			
1013	4-547-039-04	W-LAN connector cover spare			
1014	4-547-040-01	USB wireless LAN module cap			
1015	A-2067-043-A	Option mounting bracket			
1016	4-686-328-01	Body cap			
1017	4-546-934-01	Extension unit connector cover spare			
1018	4-564-699-11	USB wireless LAN module guard plate			
1019	4-269-040-01	Tape measure hook			
1020	X-2593-938-1	HOOD ASSY (956), LCD			
1021	4-580-791-01	HOOD, LCD			
1022	(Note)	Viewfinder and clamp			
1023	(Note)	Eyepiece and eyecup			
1024	4-684-612-01	Rod			
1025	(Note)	Grip remote control			
1026	X-2593-266-1	Lens cap (PXW-FS7M2K)			
1027	4-159-701-03	Rear lens cap (PXW-FS7M2K)			
1028	A-2103-957-A	Lens hood (PXW-FS7M2K)			
1029	4-548-212-01	Lens case (PXW-FS7M2K)			
1030	4-590-042-03 *	Operating Instructions (JAPANESE, ENGLISH, FRENCH, SPANISH, SIMPLIFIED CHINESE) (PXW-FS7M2K)			
1031	4-489-239-01	Zoom pin (PXW-FS7M2K)			
1041	4-690-048-01 *	Operating Instructions (JAPANESE)			
1041	4-690-048-11 *	Operating Instructions (ENGLISH)			
1041	4-690-048-21 *	Operating Instructions (FRENCH)			
1041	4-690-048-31 *	Operating Instructions (GERMAN)			

Note

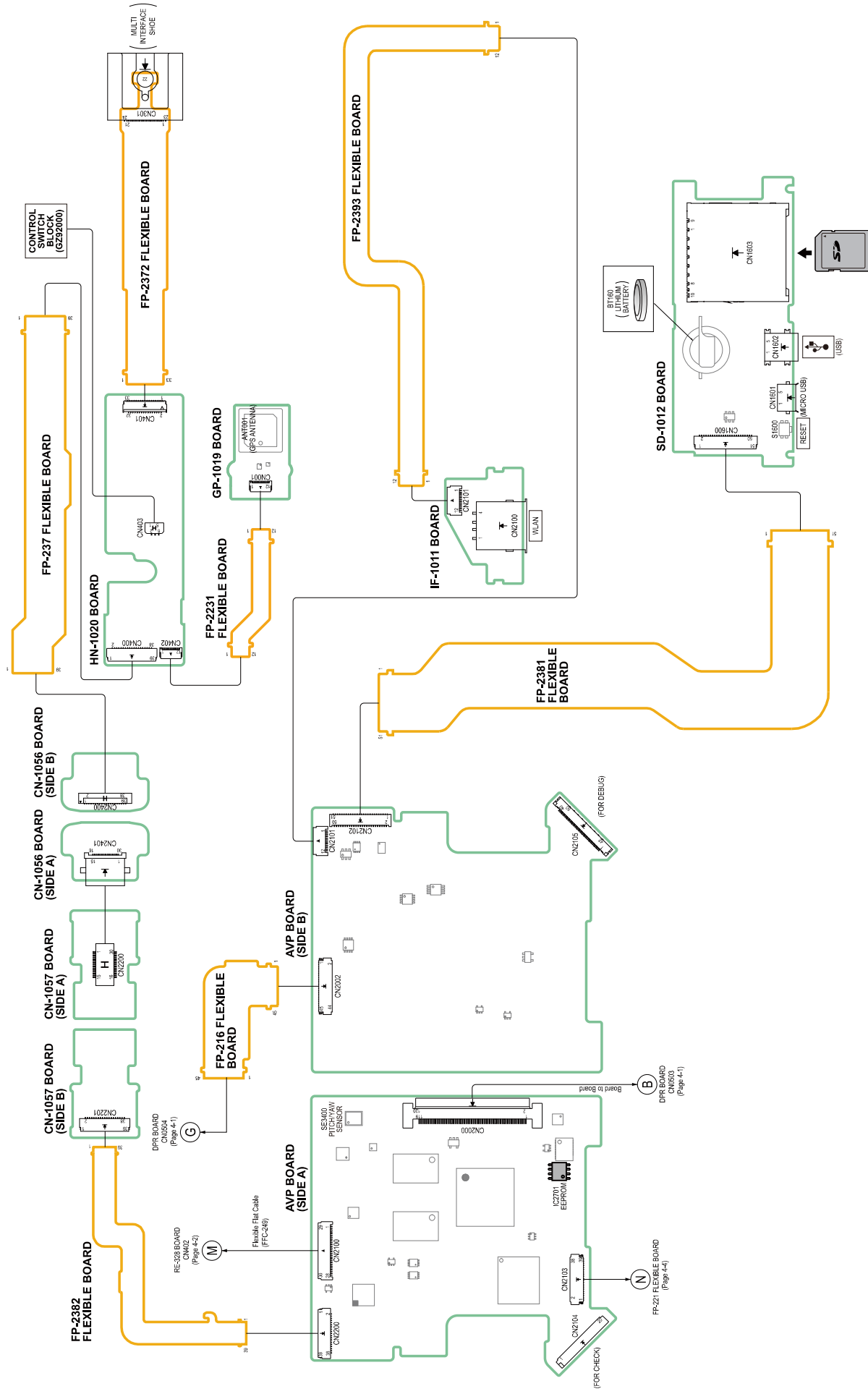
- Refer to “VF Panel Section” for the viewfinder and clamp.
- Refer to “VF Hood Section” for the eyepiece and eyecup.
- Refer to “Grip Section-1” for the grip remote control.

Delete

Section 4 Frame Schematic Diagrams Frame Wiring (1/5)



Frame Wiring (3/5)



Revision History

Ver.	Date	History	Contents	S.M. Rev. issued
1.0	2024.05	Official Release	—	—

PXW-FS7M2
PXW-FS7M2K E
9-932-899-01 V1.00A

Sony Corporation

Printed in Japan
2024. 05 08
© 2024