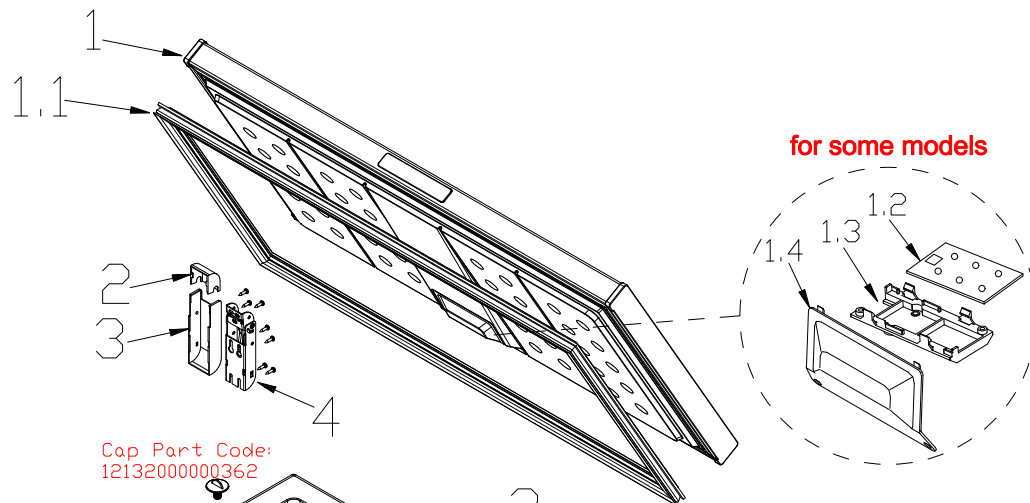
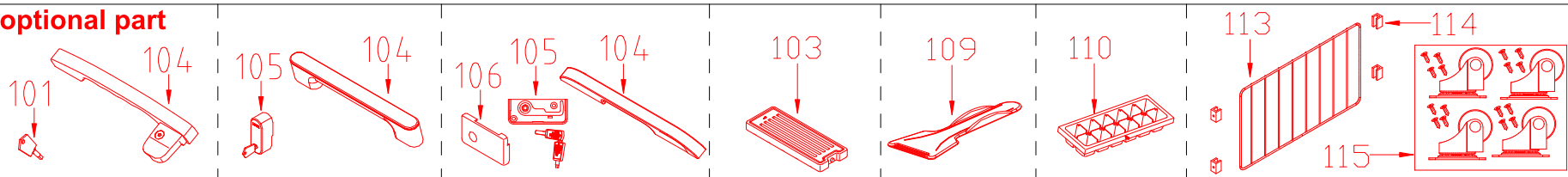
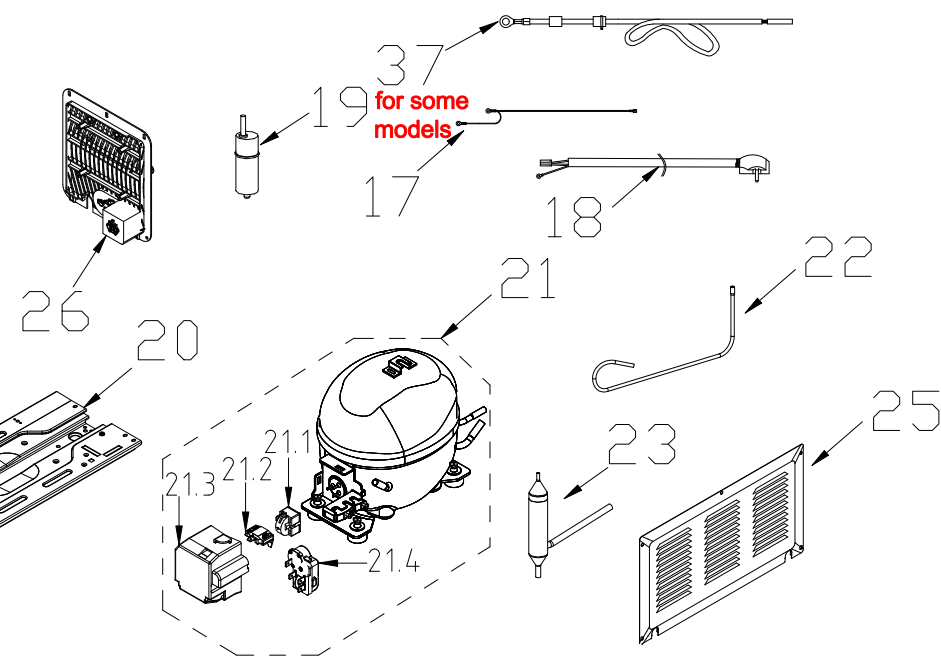
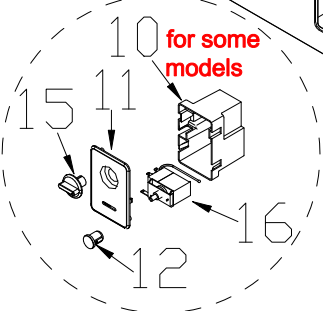
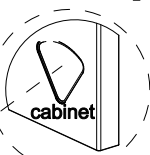
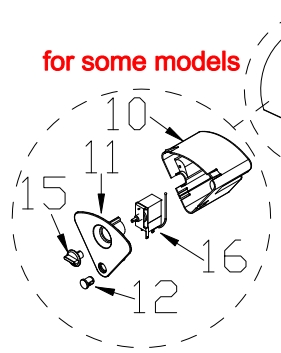
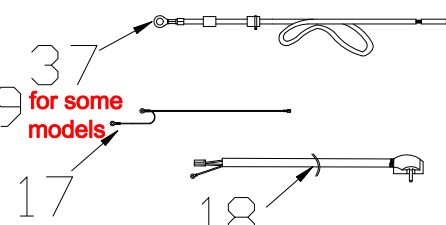
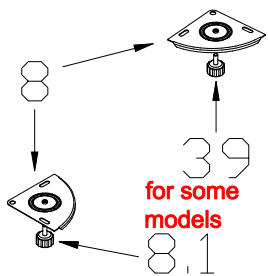
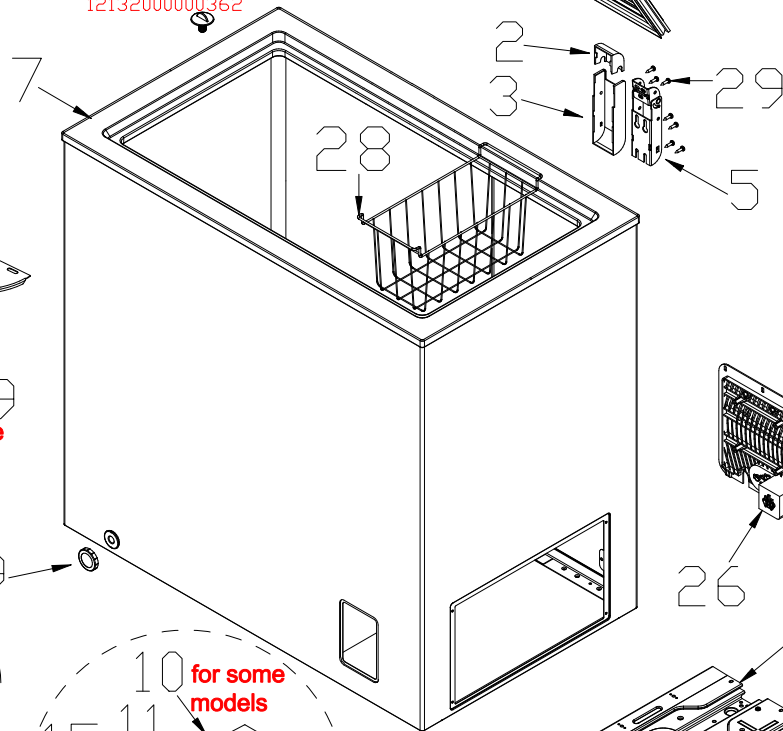


optional part



Cap Part Code:
1213200000362



Exploded View

产品编码(Product model) : 22032010003642
 客户编码(Customer No) : E0202601
 客户型号(Customer model) : 3730-924
 订单编码(Order Product Code) : 62320-F5763301

EX_ID	Spare Parts Code	Part Name(CN)	Part Name(EN)	Qty.	Remark2	Part Status	Drawing No	MIN_OR DER_QTY	Long Term Material(Y or N)	High Rate of Replacemen	SB Type	Replace Type	Remarks
1	12832000010167	冷冻室门体总成	Freezer door assembly	1		In Use	Q0108-321	2					
1.1	12132000006506	门封条	Door gasket	1		In Use	Q0108-306	10					
2	12132000006457	上铰链罩	Upper hinge cover	2		In Use	Q0108-154	10					
3	12132000001076	下铰链罩	Lower hinge cover	2		In Use	50111425005P	10	N				
4	12232000010703	钣金铰链	Sheet metal hinge	1		In Use	Q0108-153	10		N			
5	12232000010702	钣金铰链	Sheet metal hinge	1		In Use	Q0108-153	10		N			
7	12832000010163	箱体总成	Cabinet assembly	1		In Use	Q0108-203	20					
8	12232000010561	调节脚角板	Levelling feet corner plate	2		In Use	Q0108-110	20					
9	121320000000361	水管盖	Water pipe cover	1		In Use	50111985006L	10	N	N			12132000000361
10	121320000000017	温控盒	Temperature-control box	1		In Use	501114550012	5	N				
11	121320000000057	温控面板	Temperature-control panel	1		In Use	501114550002	5	N				
12	174310000000300	指示灯	Indicator lamp	1		In Use	5024100000040	5	N				
15	1213100000003600	按钮	Button	1		In Use	50110504002V	10	N	N			
16	17431000001341	普通型温控器	Ordinary type temperature controller	1		In Use	50240705001N	5	N		SB000026		17431000001327
17	174310000000990	线束	Wires	1		In Use	502403050039	10	N				17431000001327 参数变更 功能不变
18	174310000000277	美标电源线	American standard power cord	1		In Use	50240100001A	10	N	Y			
20	12232000010343	压缩机安装板	Compressor mounting panel	1		In Use	Q0108-152	10		N			
21	11101010012653	活塞往复式压缩机	Fixed speed reciprocating compressor	1		In Use	N/A	2		Y			
21.1	12031000001063	启动器	Starter	1		In Use	N/A	20	Y	Y			
21.2	12031000001242	保护罩	Protector	1		In Use	DR824P61A1 B	20	Y	Y			
22	165320000001721	组件供货管连接件	Component supplying pipe connector	1		In Use	50160405001T	10	N	N			
23	16531000000122	干燥过滤器	Dry filter	1		In Use	501602000031	10	N	Y			
25	12132000008538	百叶窗	shutter	1		In Use	0C403-171S	10					
26	12132000006842	通风窗	Ventilation window	1		In Use	Q0108-172	10					
28	12932000000583	吊篮	Basket	1		In Use	Q0108-162	4					
29	113033090000081	十字槽盘头自攻锁紧螺钉	tapping locking screw	15		In Use	GB6560	100	N				
39	12132000000529	调节脚	Levelling feet	2		In Use	501119850006	10	N				
109	12131000001043	冰铲	Ice scoop	1		In Use	B116.5-1	20	N	N			